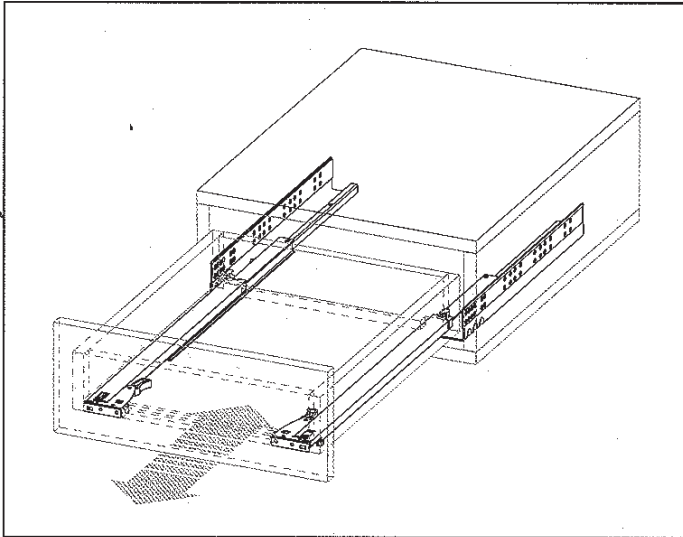


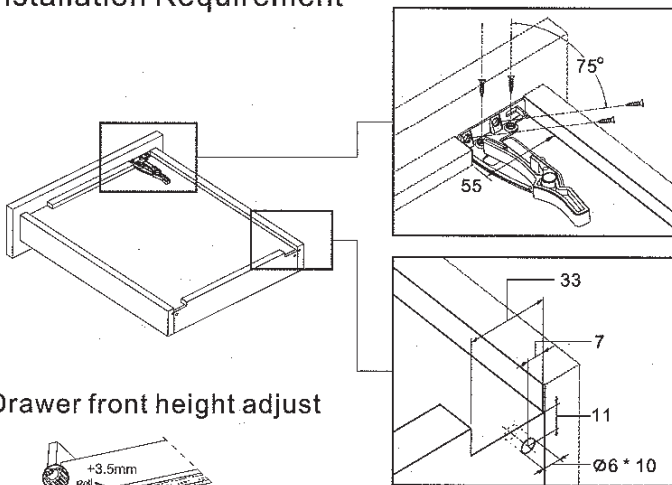
# Push-Open & Soft Closing (SC-88) Full Extension Concealed Slides



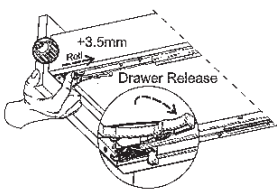
## Specifications/Features

- Length : 250mm to 550mm
- Drawer Side Thickness : 16mm (max)
- Load Capacity Up to 34 kg (75 lbs)/pair
- Travel : Full Extension
- Mount : Under Mount (for frameless cabinet)
- Material : Galvanized Steel Sheet
- Features : Self-closing, Soft-closing,  
Push Open Feature  
Tool-less Height Adjustment
- Packing : Unit Packed: 6 pairs/carton  
2 pairs/carton

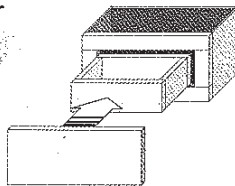
## Installation Requirement



## Drawer front height adjust

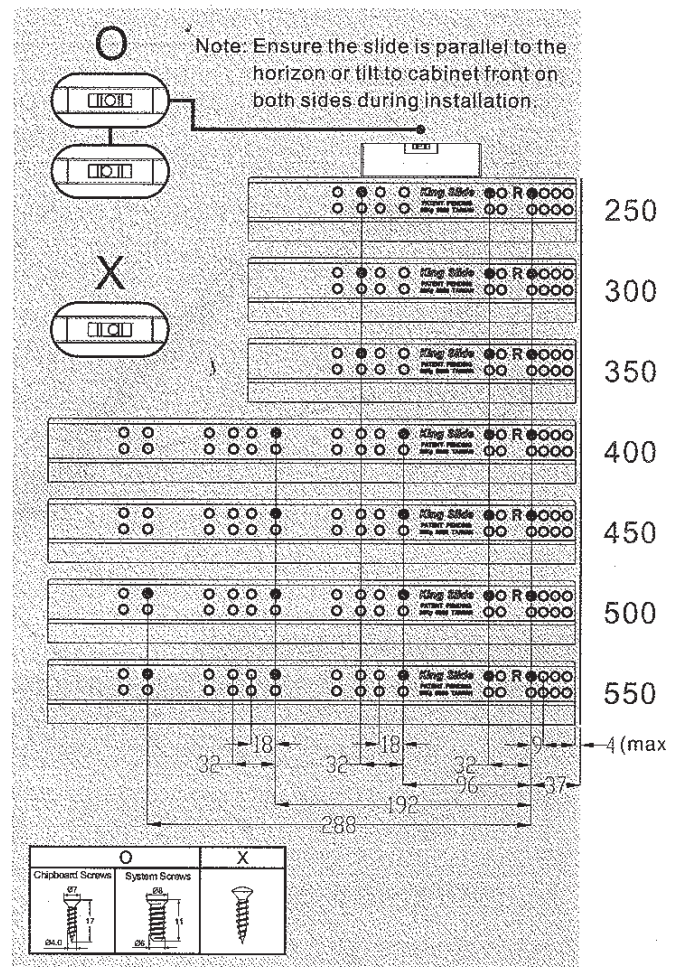


© In order to prevent installation error to lead the drawer can't be opened, please connect the front panel on as the final step.



## Notes for installation

1. Ensure the drawer body appearance is upright. It could not be diamond shaped, trapezoidal or distorted!
2. Ensure the side space, depth and horizon on both sides are consistent.
3. Ensure the installation location or the cabinet is on a flat surface.
4. Ensure the latch is installed correctly.
5. Ensure the drawer dimensions, rear notch locking hole, internal drawer width, and the drawer bottom recess are correct.

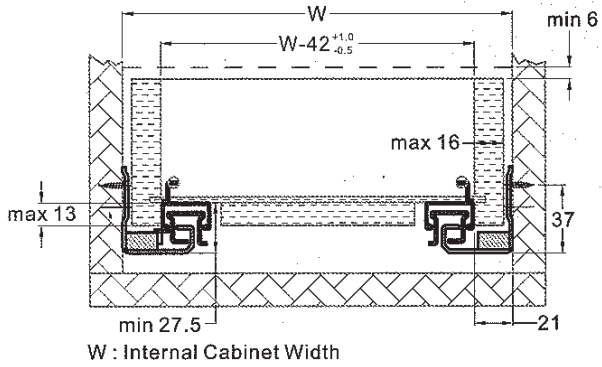


**NOTE**

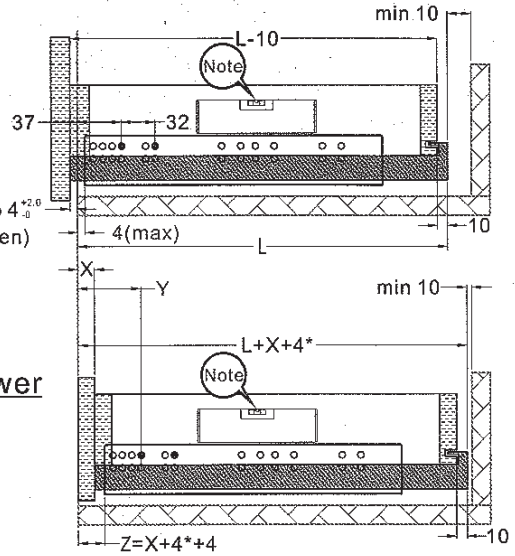
King Slide reserves the right to alter specifications of all the products without notice. The actual product may vary from the illustration. If the entity is different from the illustration, please refer to the entity.

# Push-Open & Soft Closing (SC-88) Full Extension Concealed Slides

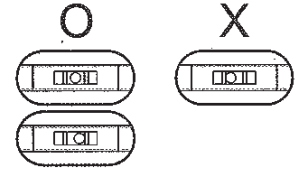
## Space Requirement



## Drawer



Note:  
Ensure the slide is parallel to the horizon or tilt to cabinet front on both sides during installation.

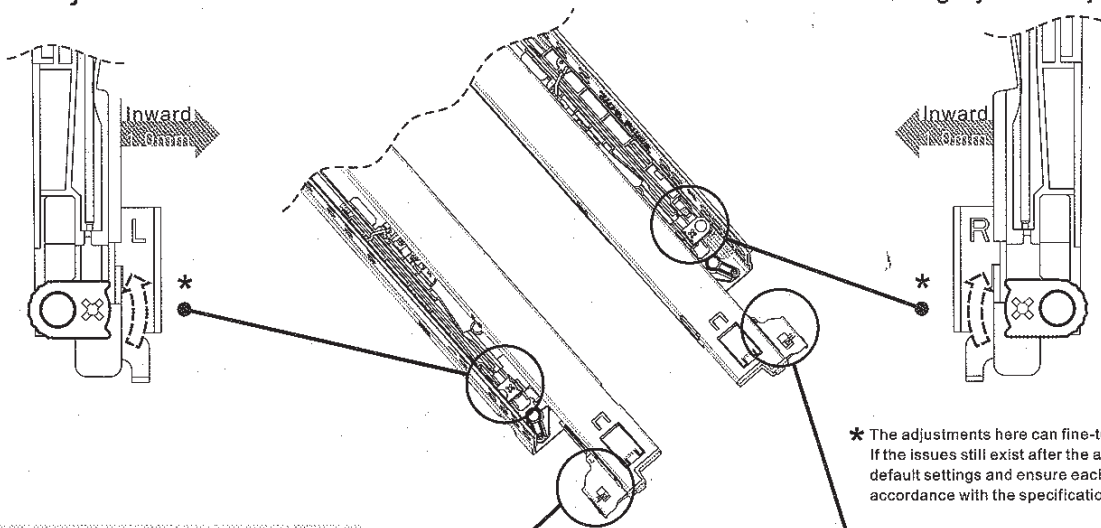


Inset Drawer Install Formula

X	18	19	20	21	22	23	24
Z	26	27	28	29	30	31	32
Y	59	60	61	62	63	64	65

L : Slide Length  
X : Front Panel Thickness

## Detail Adjustment



## \*Closing System Adjustments

\* The adjustments here can fine-tune the slide function. If the issues still exist after the adjustments, please reset to default settings and ensure each installation dimension is in accordance with the specification.

## Push-open Clearance Adjustment

