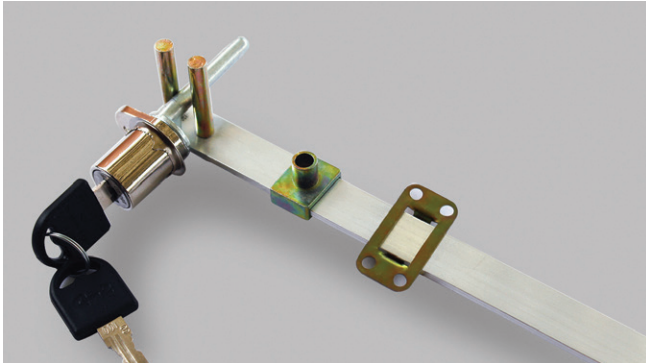


## Multi-Drawer Locking System (Lock-Multi Drawer)

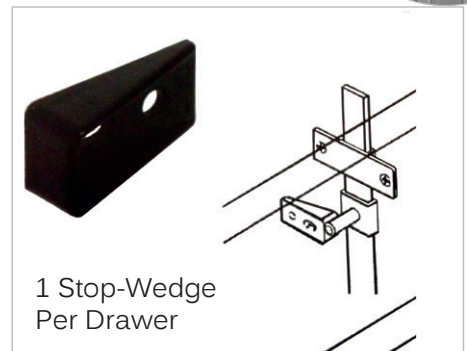
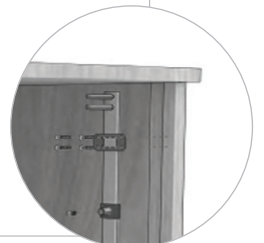
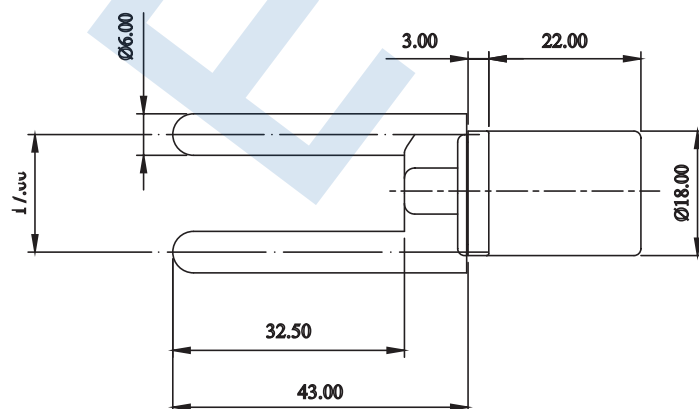
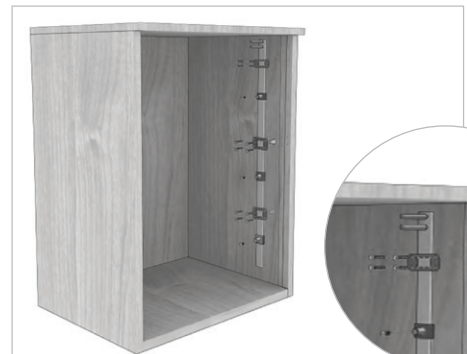
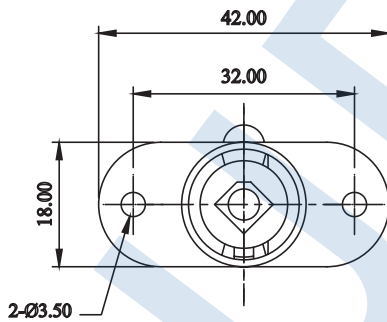
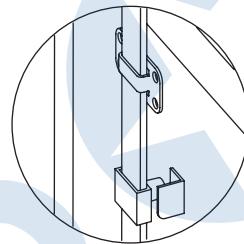
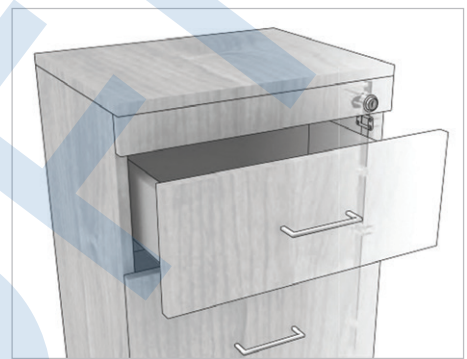
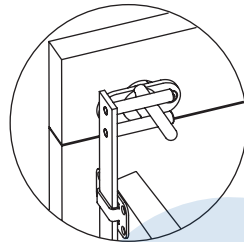
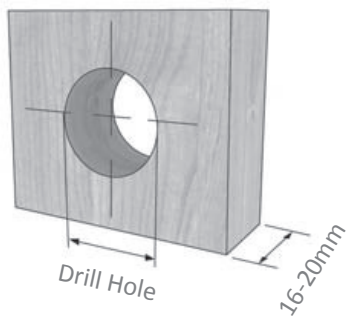


\* Set Includes:

- 1 x One-Wing Lock Housing
- 1 x 600mm Front Bar
- 1 x Lock Accessories
  - 3 x Arresting Pins + Screws
  - 2 x Non-Recessed Guides
- 1 x Stop-Wedge (1 wedge per drawer)
- 1 x Barrel (Cylinder + Key)



★ Please select key alike or key difference



1 Stop-Wedge  
Per Drawer