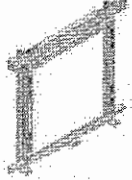
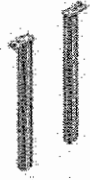
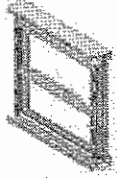



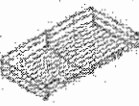
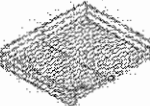








# Blind Corner Solution (WMC-018)

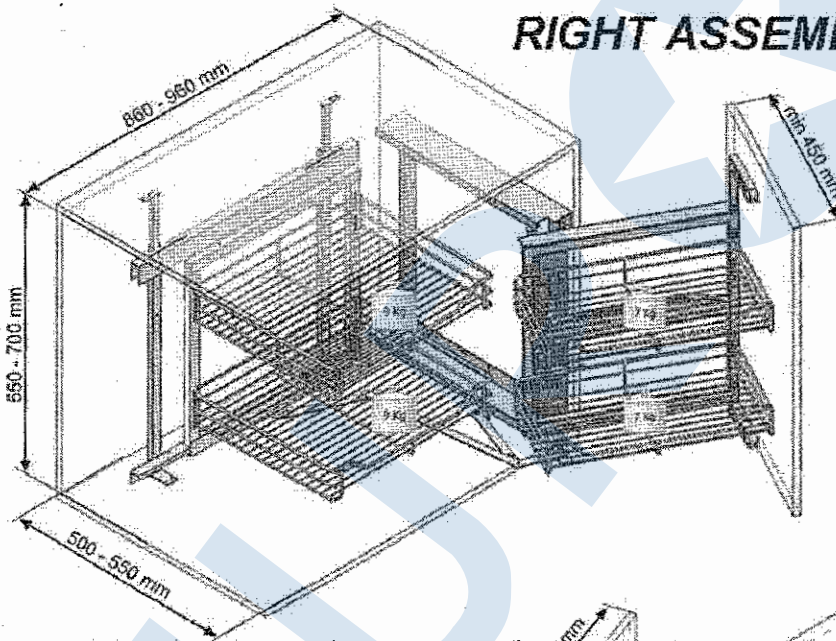
## Door mounted (Left/Right Interchangeable)

### Including

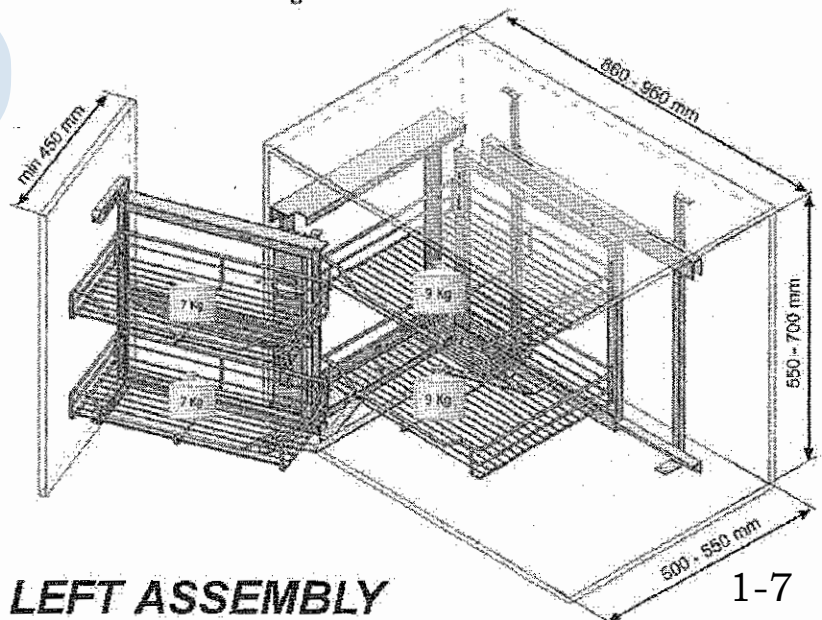
| A   | B   | C   | D   | E  | F   |
|---|---|---|---|--|---|
| Back frame  | Adjustable rods   | Side frame  | Door connector  | Door steel plate   | Articulated arm   |
|  |  |  |  |  |  |
| 1 unit  | 1 unit  | 1 unit  | 1 unit  | 1 unit   | 1 unit  |

| G   | H   | I   | J   | K   | L  | M   | N   |
|---|---|---|---|---|--|---|---|
| Exterior basket   | Interior basket   | Wood screws   | M5 Plain screw  | M5x6 Round head   | M5x10 Round head   | Bush  | M5 Allen Key  |
|  |  |  |  |  |  |  |  |
| 2 units   | 2 units   | 20 units  | 4 units   | 4 units   | 2 units  | 2 units   | 1 unit  |

### RIGHT ASSEMBLY



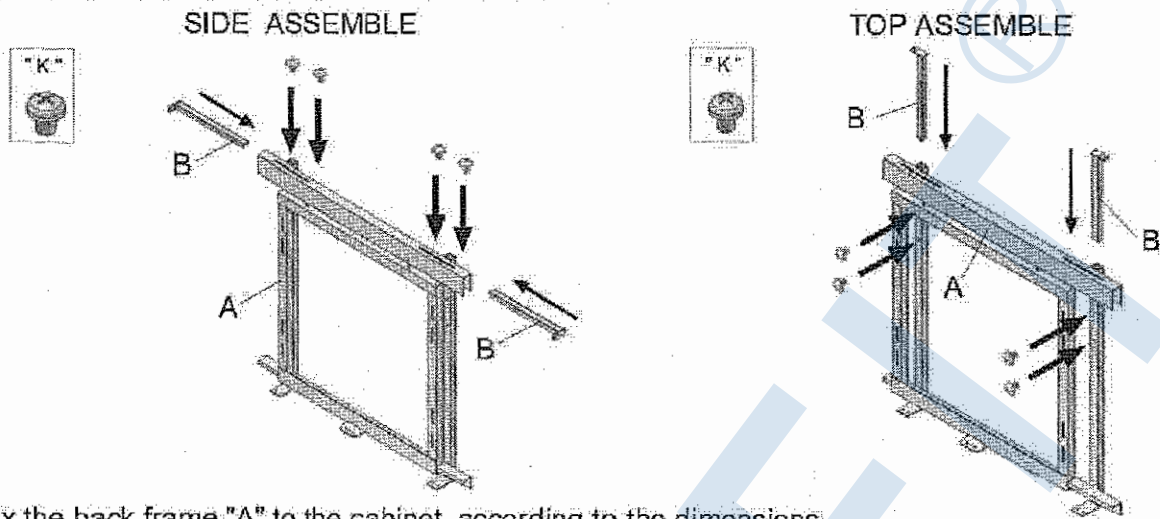
### LEFT ASSEMBLY



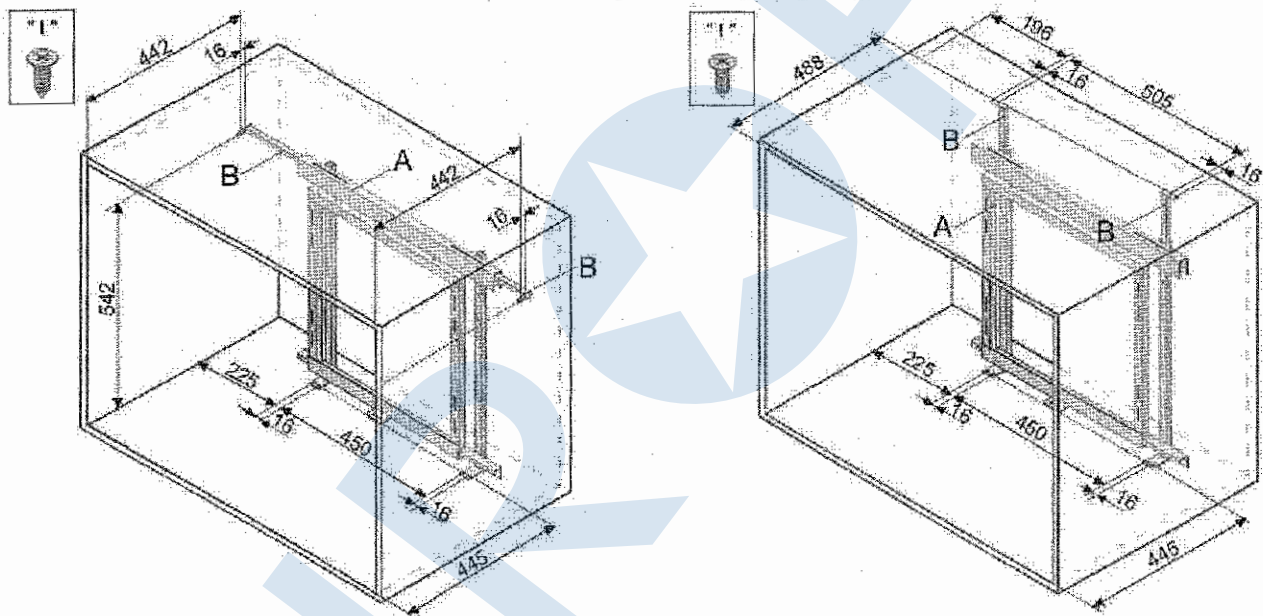
# Blind Corner Solution (WMC-018)

## Door mounted (Left/Right Interchangeable)

1. Assemble the adjustable rod "B" to the back frame "A".



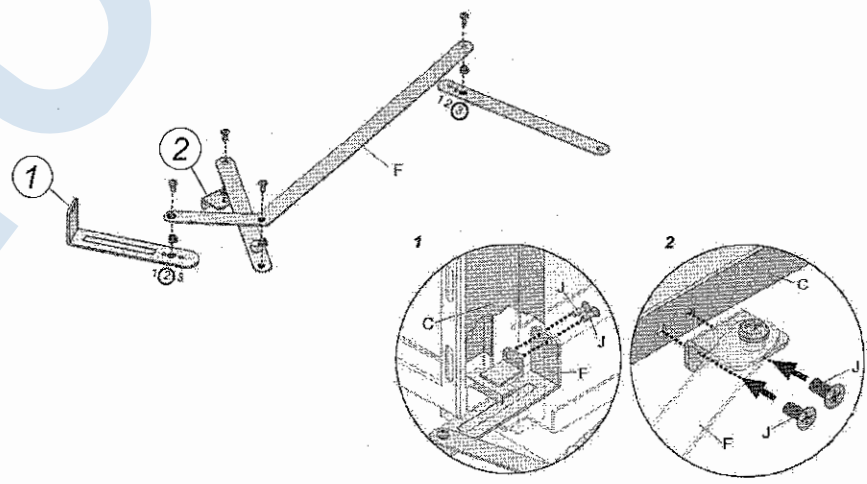
2. Fix the back frame "A" to the cabinet, according to the dimensions.



3. Screw the door steel plates "E" to the front.

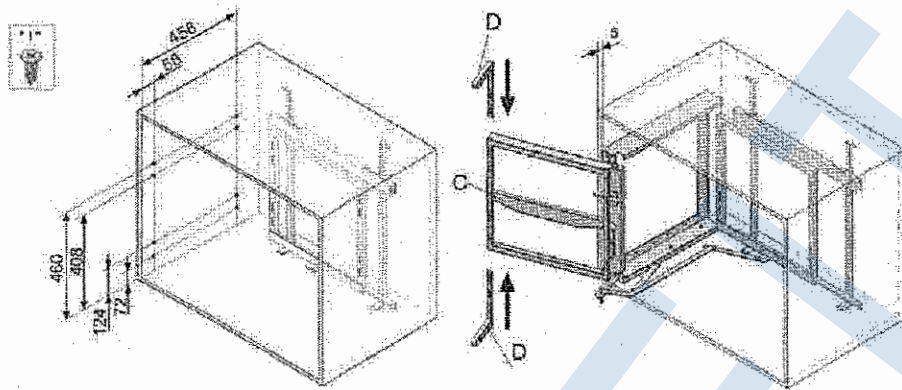


4. Mount the articulated arm "F", according to the drawing.

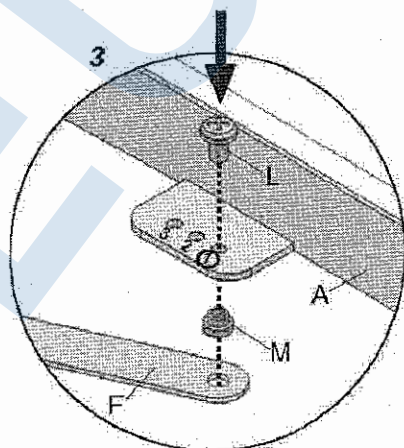
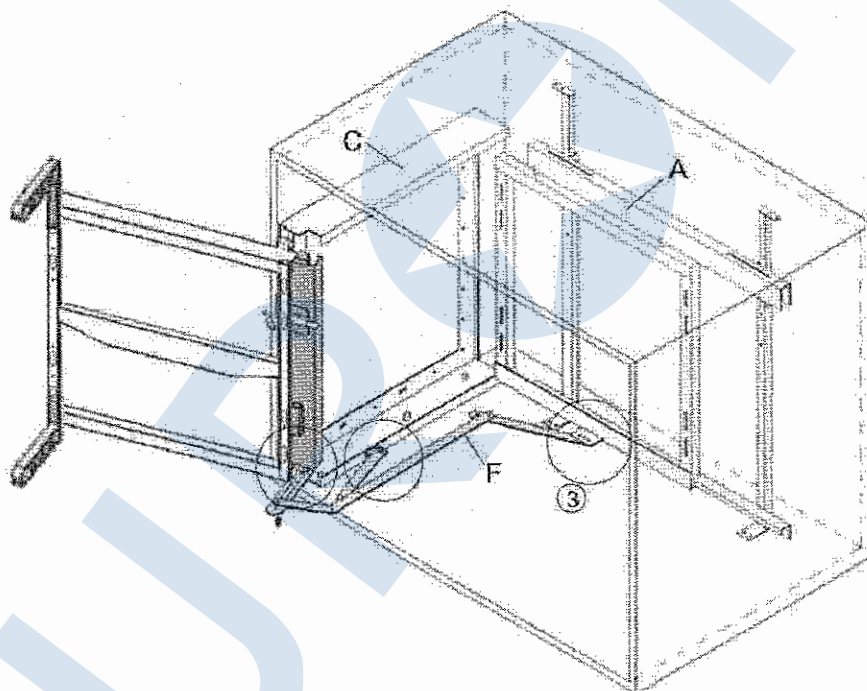


# Blind Corner Solution (WMC-018) Door mounted (Left/Right Interchangeable)

5. Assemble the door connectors "D" with the side frame "C". Mark the place of the holes to fix the side frame "C" to the cabinet, and fix them.



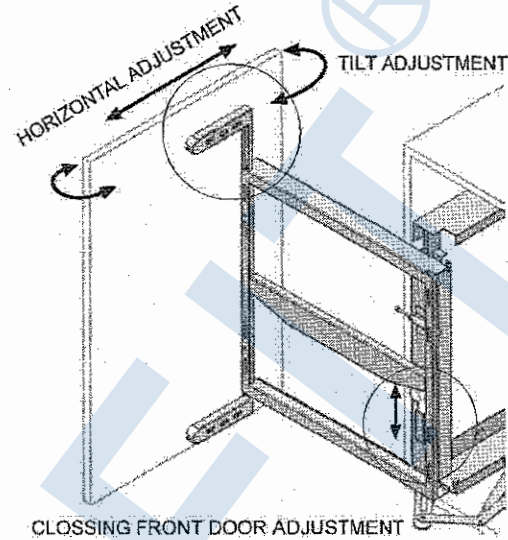
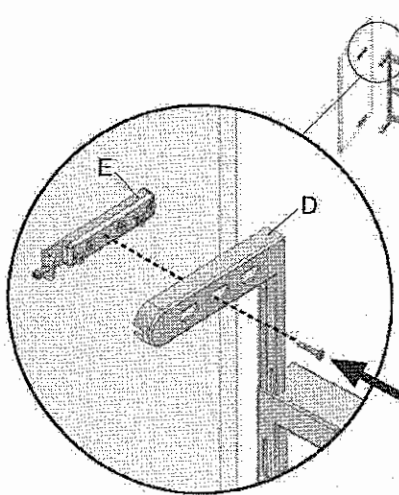
6. Fix the articulated arm "F" to the frames "A" y "C", as we show.





# Blind Corner Solution (WMC-018) Door mounted (Left/Right Interchangeable)

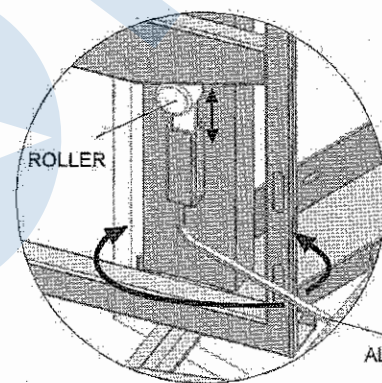
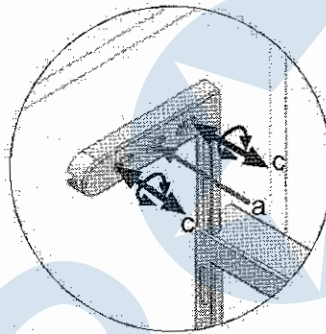
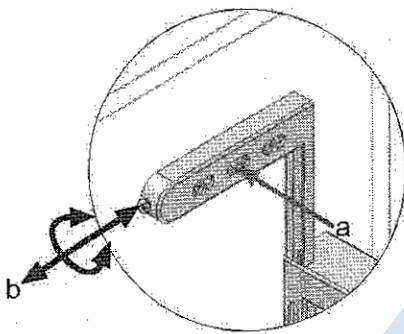
7. Fit the door connectors "D" to the door steel □ 8. Adjust the front plate "E" and fix them.



HORIZONTAL ADJUSTMENT

TILT ADJUSTMENT

CLOSING FRONT DOOR ADJUSTMENT



- a. Fix screw □
- b. Horizontal adjusting screw □
- c. Tilt adjusting screw

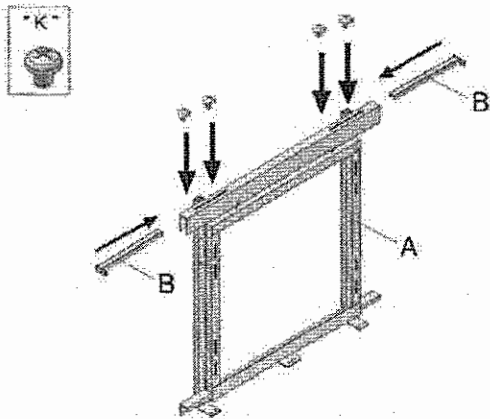
ALLEN 5

# Blind Corner Solution (WMC-018)

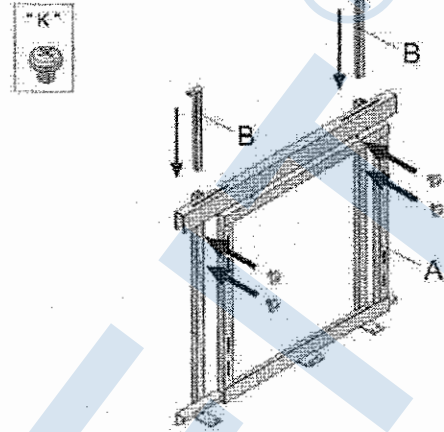
## Door mounted (Left/Right Interchangeable)

1. Assemble the adjustable rod "B" to the back frame "A".

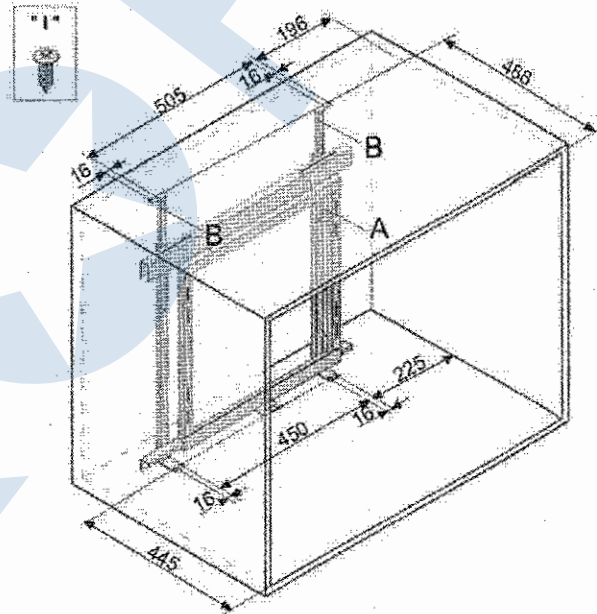
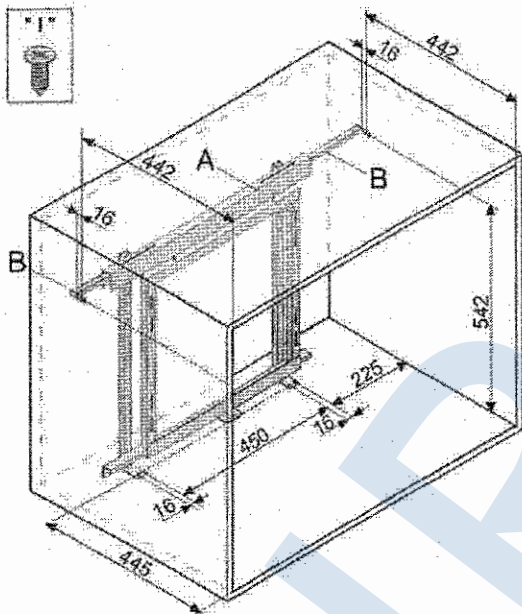
SIDE ASSEMBLE



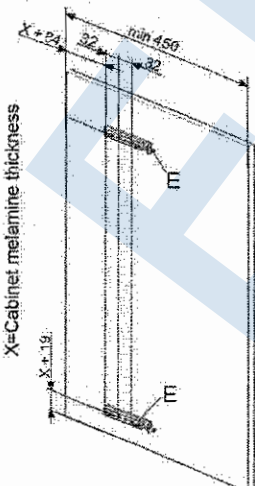
TOP ASSEMBLE



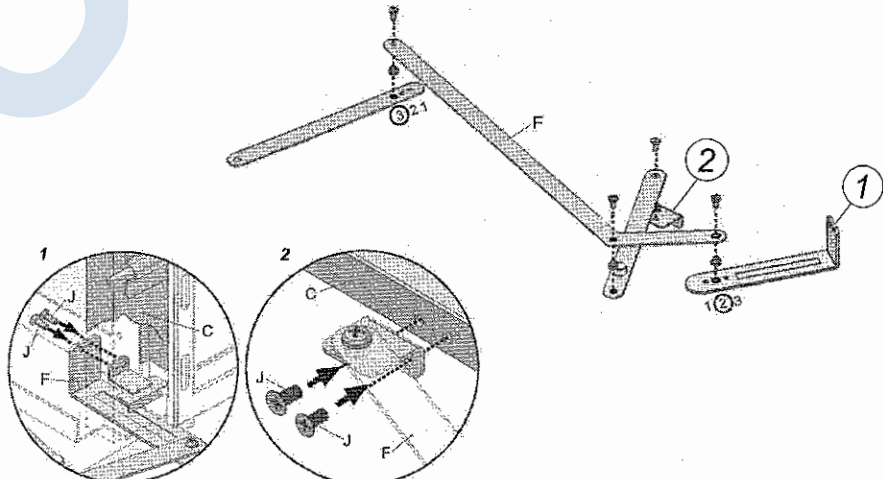
2. Fix the back frame "A" to the cabinet, according to the dimensions.



3. Screw the door steel plates "E" to the front.

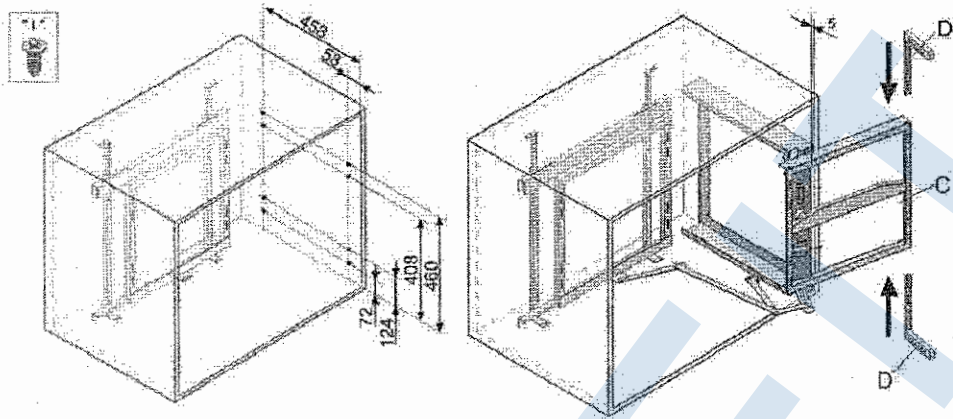


4. Mount the articulated arm "F", according to the drawing.

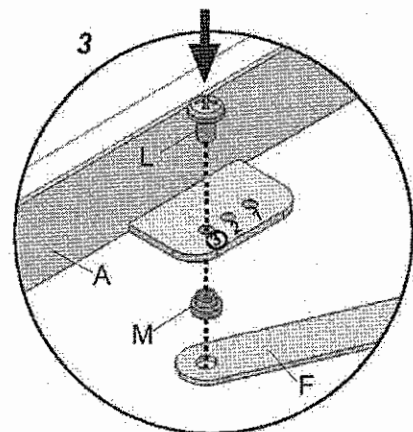
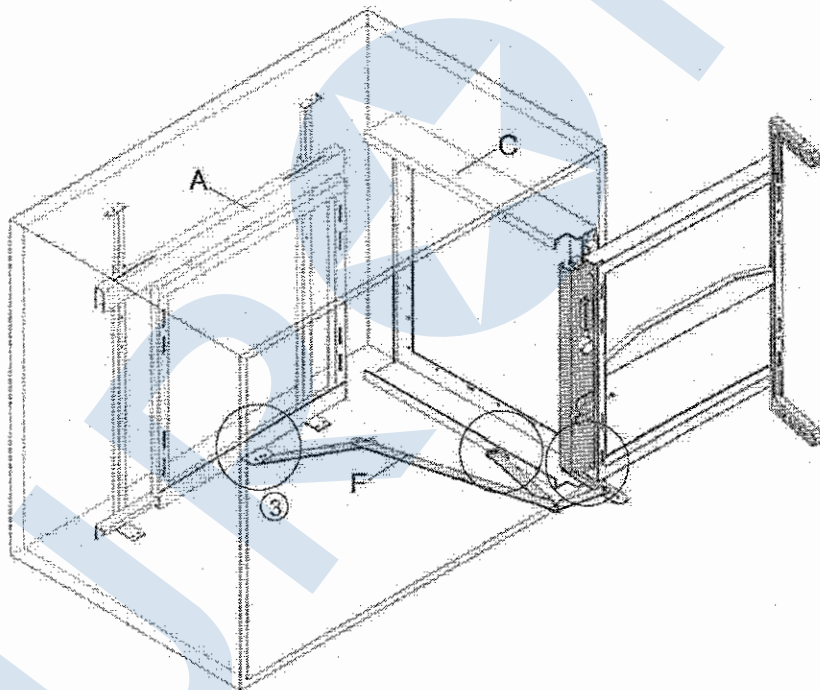


# Blind Corner Solution (WMC-018) Door mounted (Left/Right Interchangeable)

5. Assemble the door connectors "D" with the side frame "C". Mark the place of the holes to fix the side frame "C" to the cabinet, and fix them.



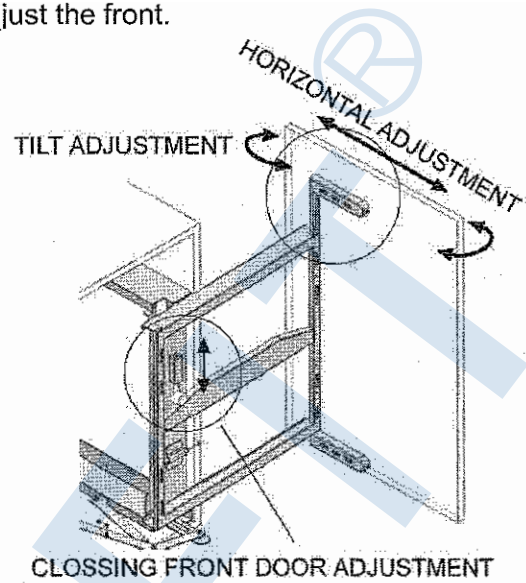
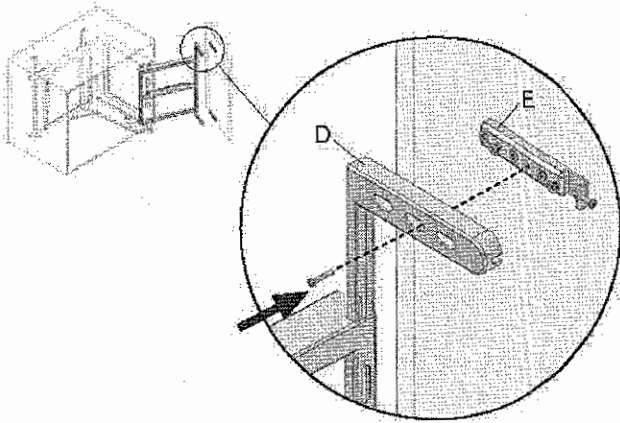
6. Fix the articulated arm "F" to the frames "A" y "C", as we show.



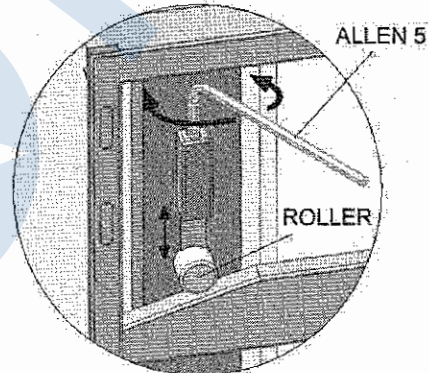
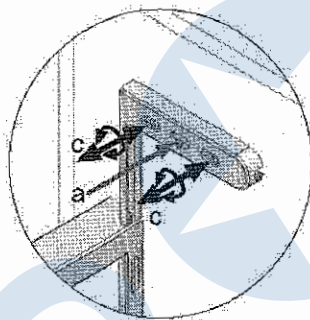
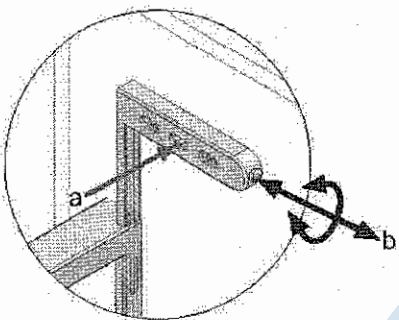


# Blind Corner Solution (WMC-018) Door mounted (Left/Right Interchangeable)

7. Fit the door connectors "D" to the door steel □ 8. Adjust the front. plate "E" and fix them.



HORIZONTAL ADJUSTMENT    TILT ADJUSTMENT    CLOSING FRONT DOOR ADJUSTMENT



- a. Fix screw □
- b. Horizontal adjusting screw □
- c. Tilt adjusting screw