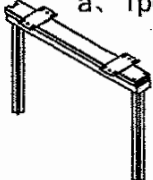
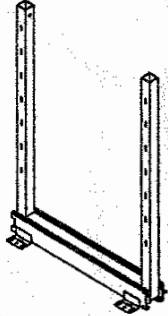

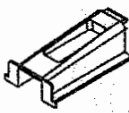

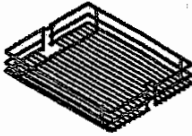



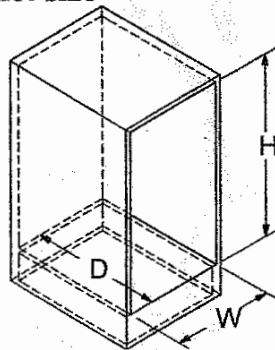


Mini Under Bench Pull Out Pantry (WPP3-400sc) Soft Closing

List of parts

a, 1pcs 	c, 1pcs 	d, 2pcs 	f, 6pcs 	h, 2pcs 
b, 3pcs 	e, 2pcs 	g, 2pcs 	i, 2pcs 	

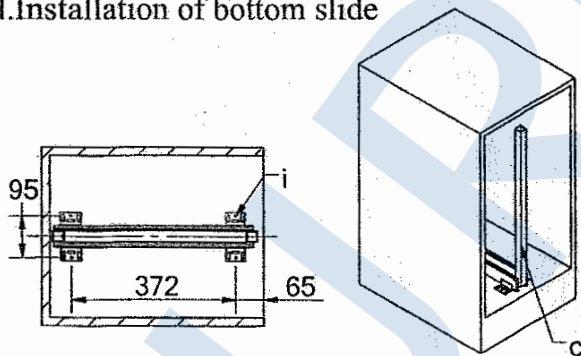
Suitable cabinet size



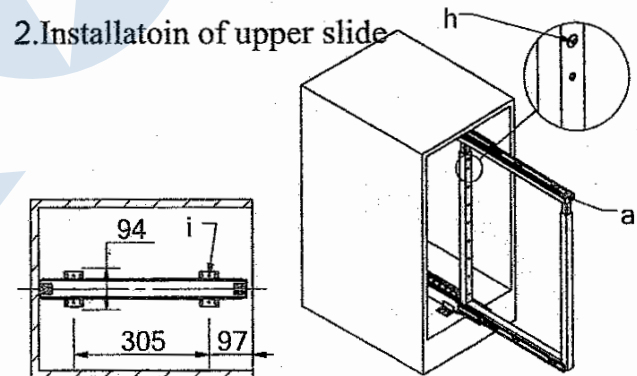
Item	PTJ011	PTJ01B
specification(mm)	D475*W350*H(630~750)	D435*W240*H(630~670)
suitable cabinet size	D500*W400*H(630~750)	D450*W300*H(630~750)
inside of the cabinet	D482*W364*H594~714	D432*W264*H594~714

Fixing step:

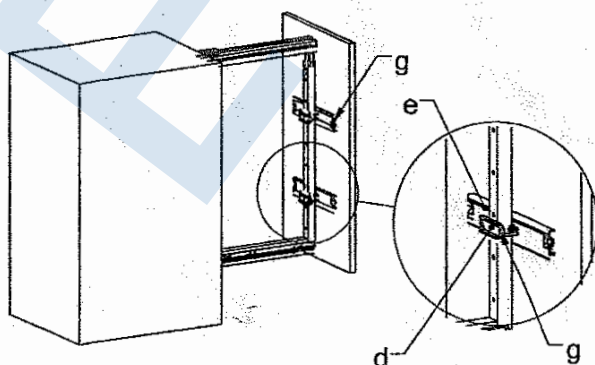
1. Installation of bottom slide



2. Installation of upper slide



3. Installation of door position



4. Installation of baskets.

