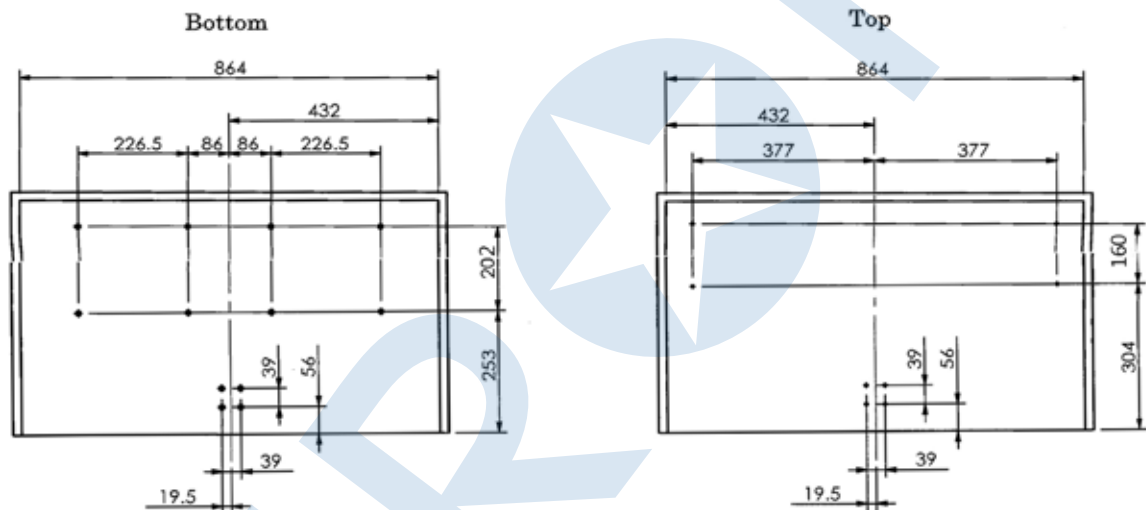


Gourmet Pantry Unit (WGP-900) 5 Levels

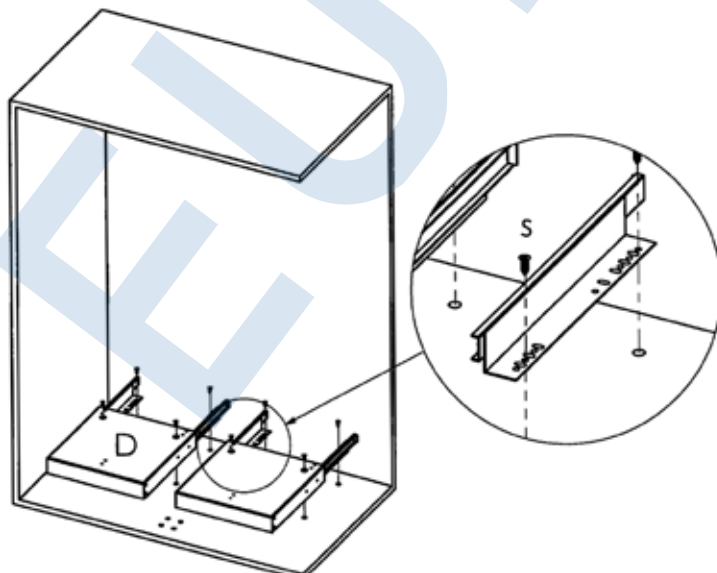
Parts list

Name	Type	Qty	Name	Type	Qty	Name	Type	Qty	Name	Type	Qty
A		2pcs	F		2pcs	K			P		8pcs
B		2pcs	G		2pcs	L			Q		12pcs
C		4pcs	H		2pcs	M		6pcs	R		20pcs
D		2pcs	I		2pcs	N		8pcs	S		20pcs
E		2pcs	J		2pcs	O		8pcs	T		

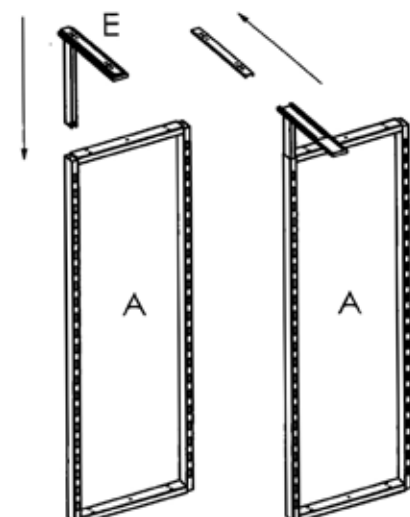
STEP 1: Size



STEP 2: Install the bottom slide

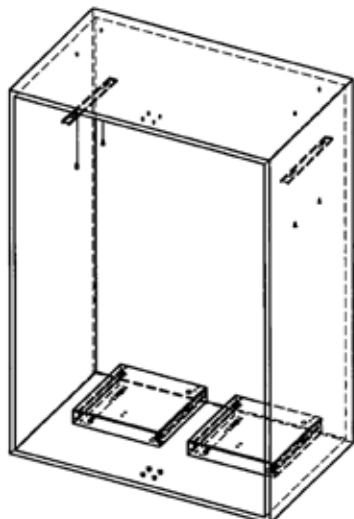


STEP 3: Insert the top slide and separate it

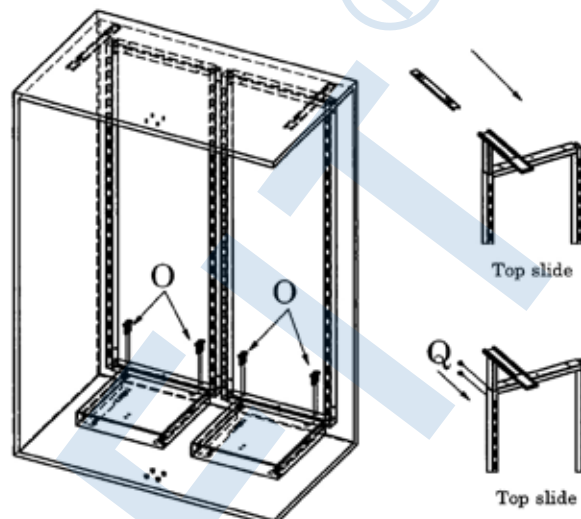


Gourmet Pantry Unit (WGP-900) 5 Levels

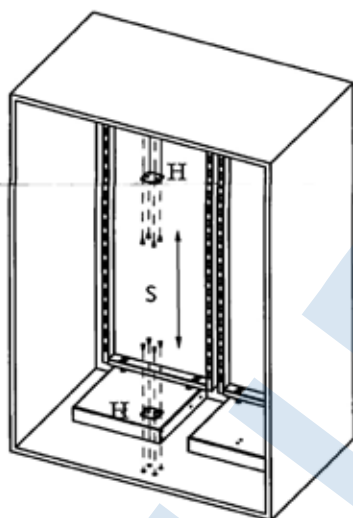
STEP 4: Fix the top slide in the cupboard



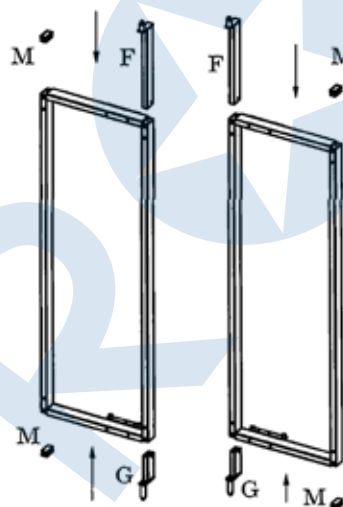
STEP 5: Fix the main part



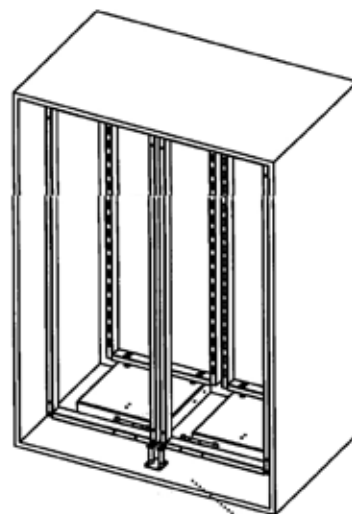
STEP 6:



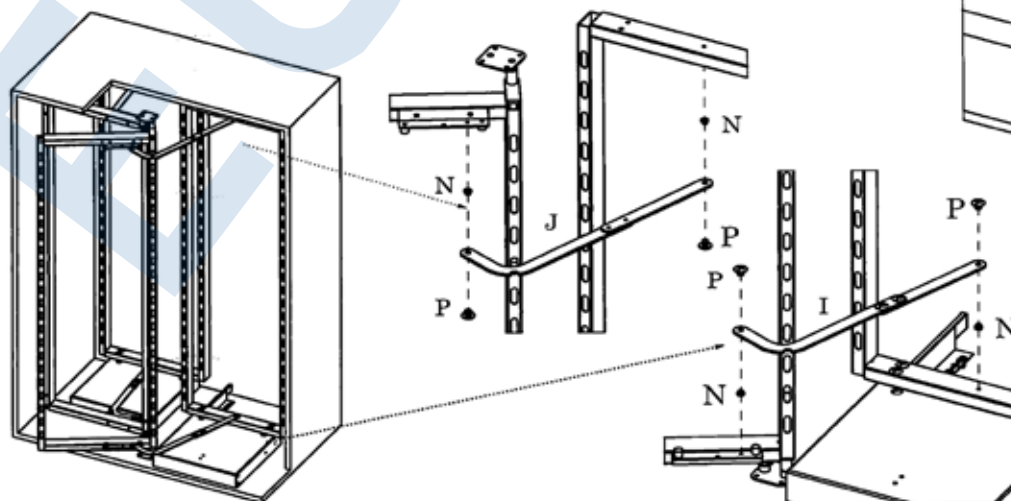
STEP 7:



STEP 8:

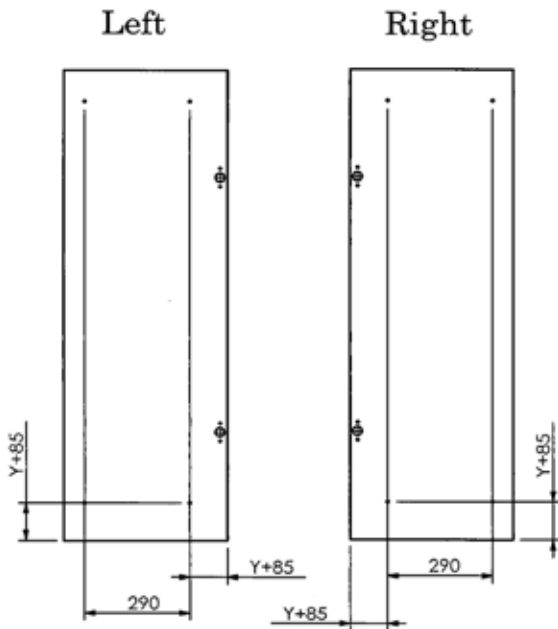


STEP 9: Fix the strip in the main part



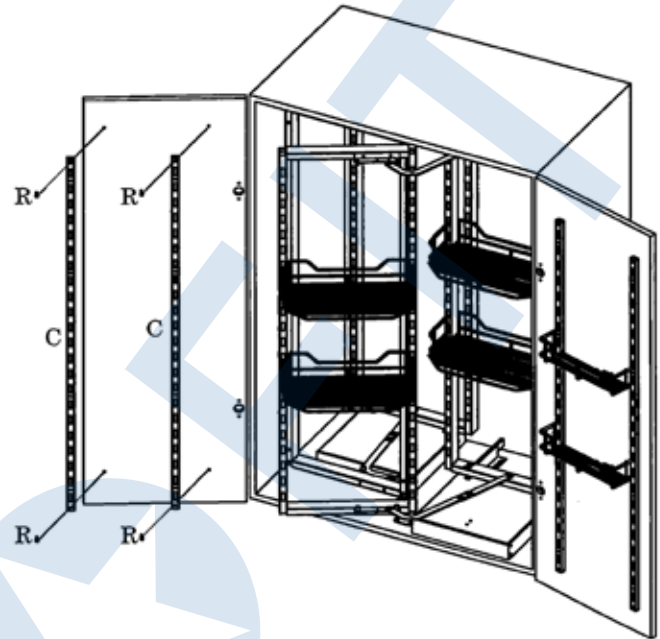
Gourmet Pantry Unit (WGP-900) 5 Levels

STEP 10: The size of the door



Y: Thickness of the board

STEP 11: Install steel strip of the door



Step 12 : Finished

