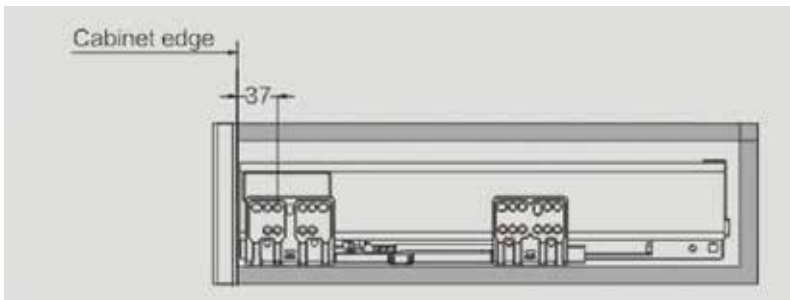


Vero Standard Drawer Set (SC-201) 84mm Height

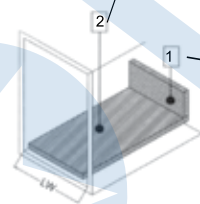
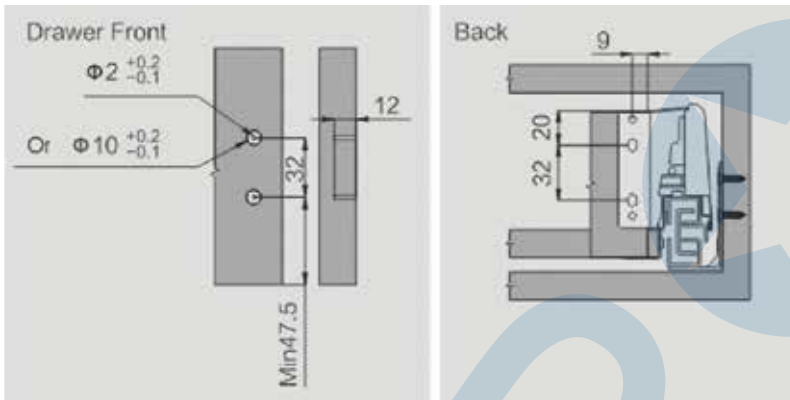


Bottom & Back Panels Measurement

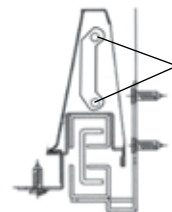
LW: Internal Cabinet Width

Bottom Panel Width = $LW - 75 \pm 0.5$

Bottom Panel Length = Nominal Length - 24mm



Back Panel Height: 84mm
Back Panel Length = $LW - 87 \pm 0.5$



Pay Attention To
The Direction
Of Bracket

