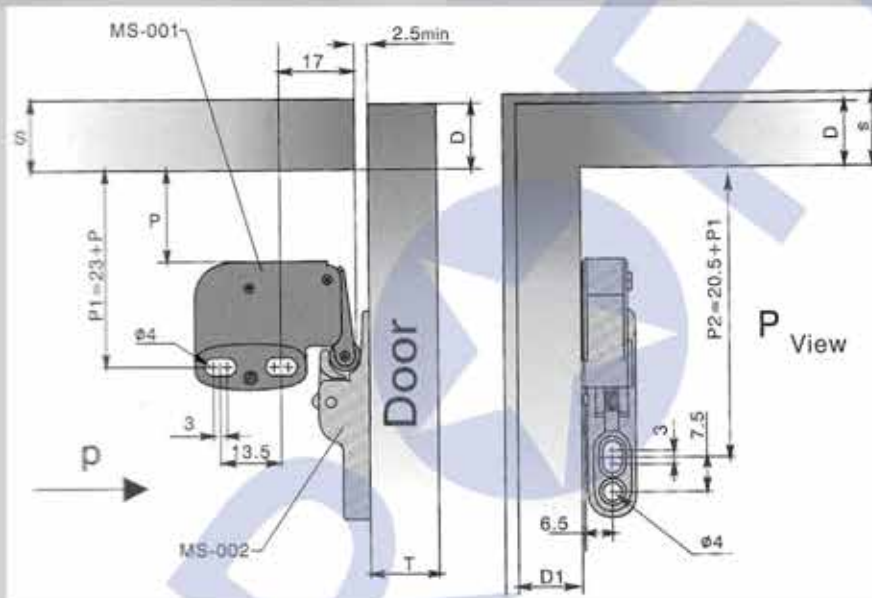
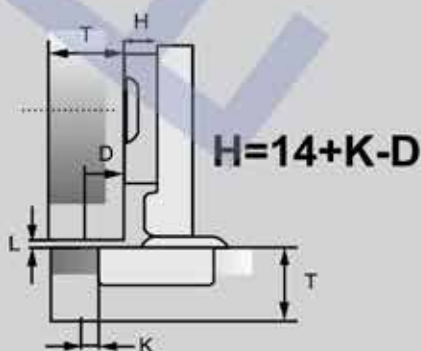


Push Open Reverse Sprung Hinges
Full Overlay (EU-04HA)

* Please select suitable MOUNTING PLATES on page 4-7



- S.....top panel thickness
- T.....door thickness
- D....door overlay on cabinet TOP panel
- D1..door overlay on cabinet SIDE panel
- P....customized position (recommended to be located at 1/3 or 1/2 of door height)
- P1..assembly screw position of EU-04C
- P2..assembly screw position of EU-04C



D H \ K	3	4	5	6	7
0	17	18	19	20	21
2	15	16	17	18	19
4	13	14	15	16	17