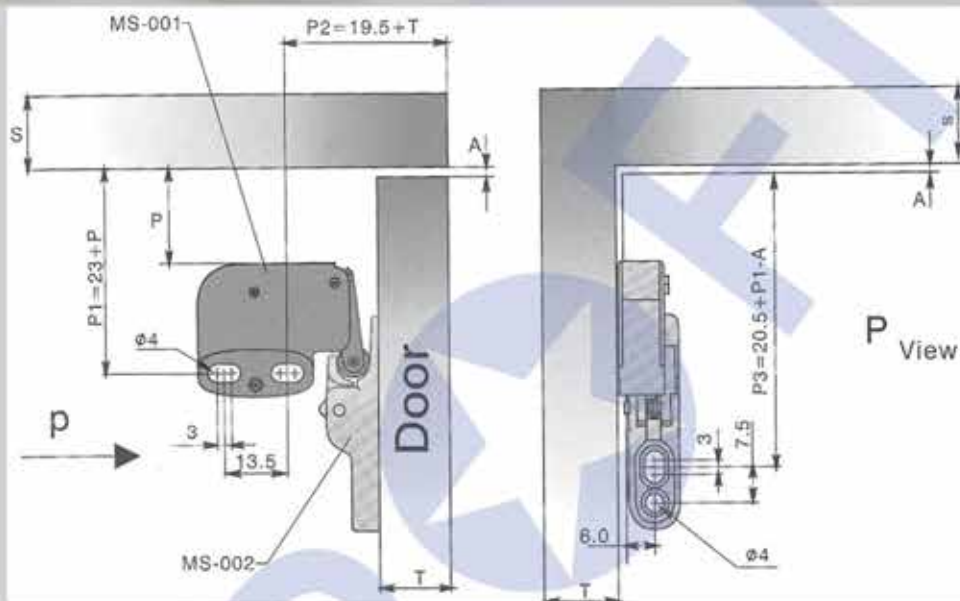
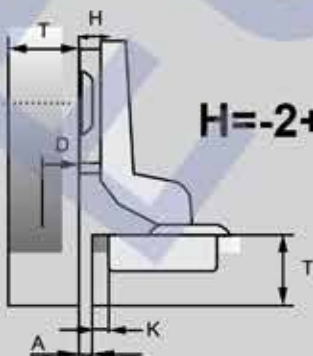


Push Open Reverse Sprung Hinges
Full Inset (EU-04HC)



- S..... top panel thickness
- T..... door thickness
- A..... gap between upper door edge & cabinet top panel
- P..... customized position (recommended to be located at 1/3 or 1/2 of door height)
- P1.. assembly screw position of EU-04L
- P2.. assembly screw position of EU-04L
- P3.. assembly screw position of EU-04C



D \ K	3	4	5	6	7
0	1	0	-1	-2	-3
2	3	2	1	0	-1
4	5	4	3	2	1