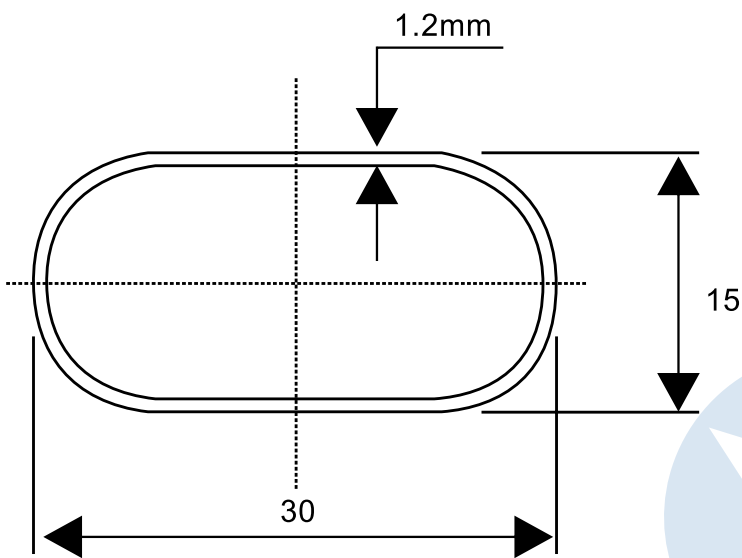


# Oval Rail Top / Corner Supports (MSO/TSO/CSO)



## Oval Corner Support (Top Fix)



\* To drill a 6mm hole, so the screw can be fit from the top of the board.

Item No.	Height	Finish	Carton Qty
Rail-CSO	70mm	Zinc	50

## Middle Support (Top Fix)



Item No.	Height	Finish	Carton Qty
Rail-MSO	85~120	Chrome	50
Rail-MSO-02	70	Chrome	50

## Top End Support (Top Fix)



Item No.	Height	Finish	Carton Qty
Rail-TSO	85~120	Chrome	50
Rail-TSO-02	70	Chrome	50