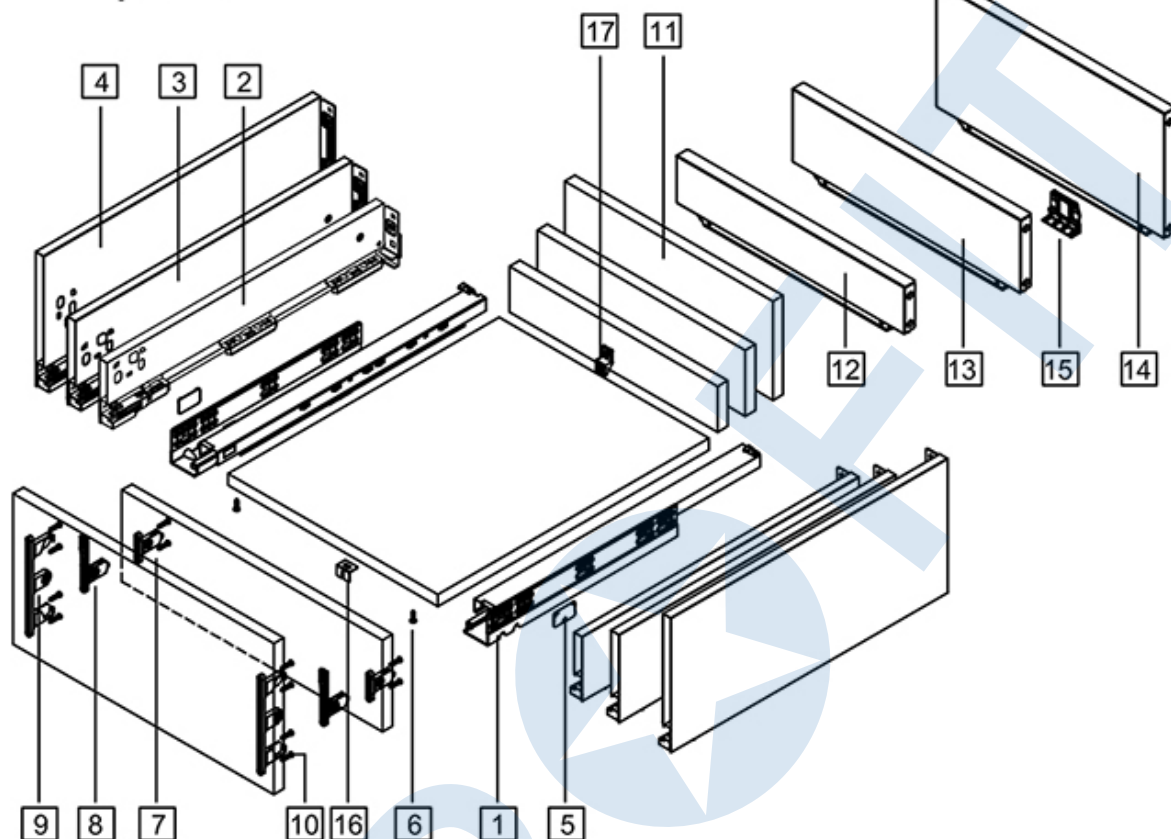


# Vero Drawer System

## Slim Drawer (SC-801 / 802 / 803)

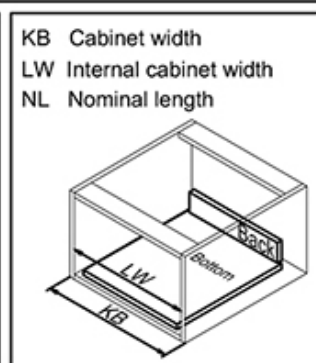
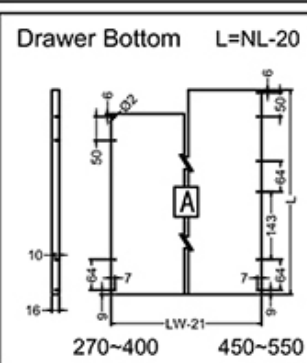
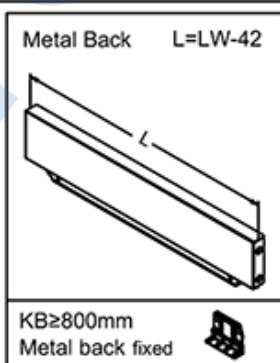
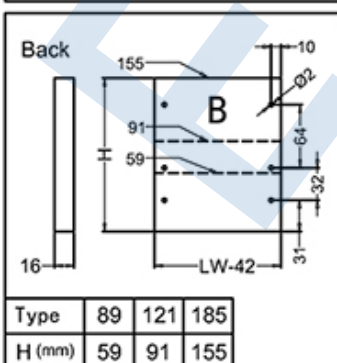
### Components



1. Cabinet profiles: L/R	10. Front fixing-brackets screw (Ø4x17)
2. 89 Drawer profiles: L/R	11. Drawer back
3. 121 Drawer profiles: L/R	12. Metal back height 89
4. 185 Drawer profiles: L/R	13. Metal back height 121
5. Side cover plate	14. Metal back height 185
6. Bottom screw (Ø3.5x15)	15. Metal back fixed
7. 89 Front fixing-brackets	16. Bottom fixing(for wide drawer)
8. 121 Front fixing-brackets	17. Back fixing(for wide drawer)
9. 185 Front fixing-brackets	

Item No.	Nominal length	Internal drawer length	Min.installation length of drawer
808LB-270	270mm	244mm	275mm
808LB-300	300mm	274mm	305mm
808LB-350	350mm	324mm	355mm
808LB-400	400mm	374mm	405mm
808LB-450	450mm	424mm	455mm
808LB-500	500mm	474mm	505mm
808LB-550	550mm	524mm	555mm

### Drawer Back and Bottom Dimensions

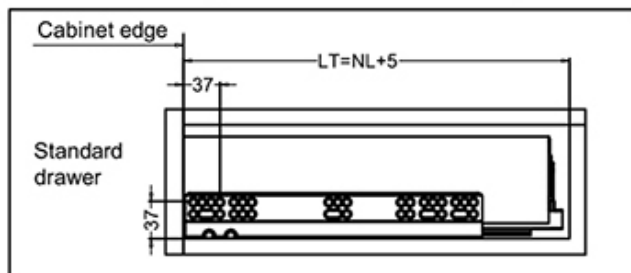


# Vero Drawer System

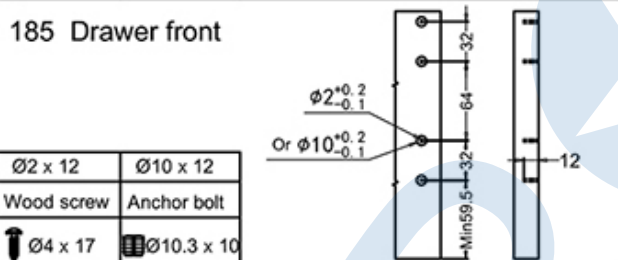
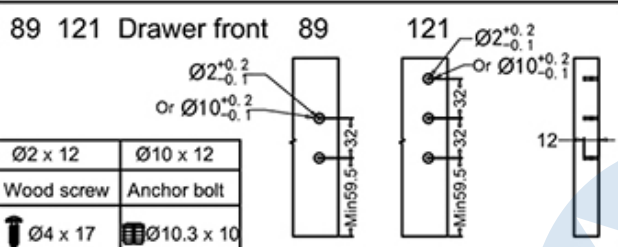
## Slim Drawer (SC-801 / 802 / 803)

### Installation dimensions (mm)

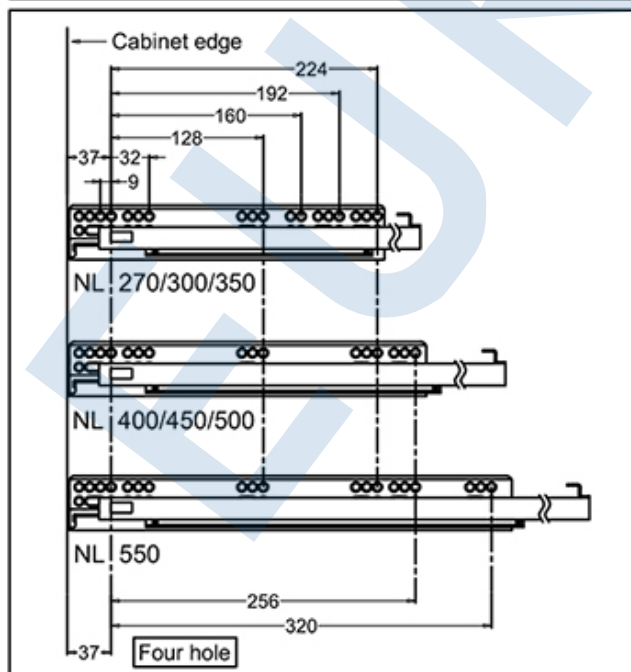
Nominal slide length=NL Internal cabinet depth=LT



### Drawer installation dimensions (mm)

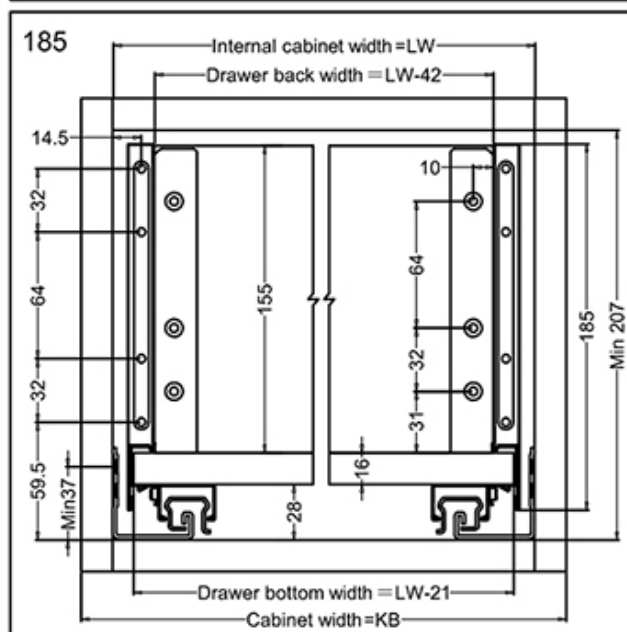
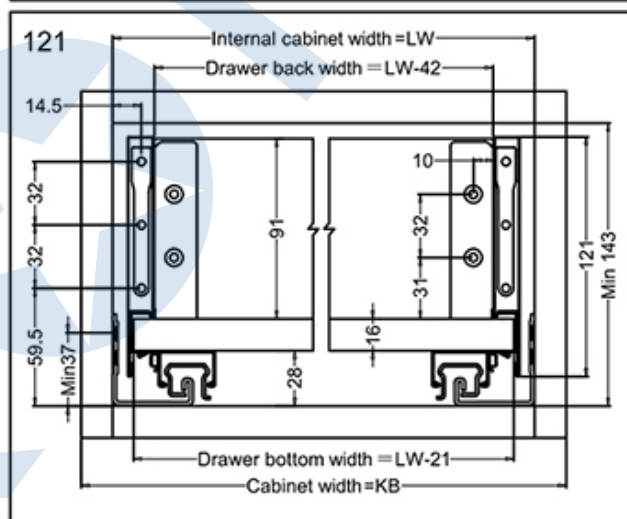
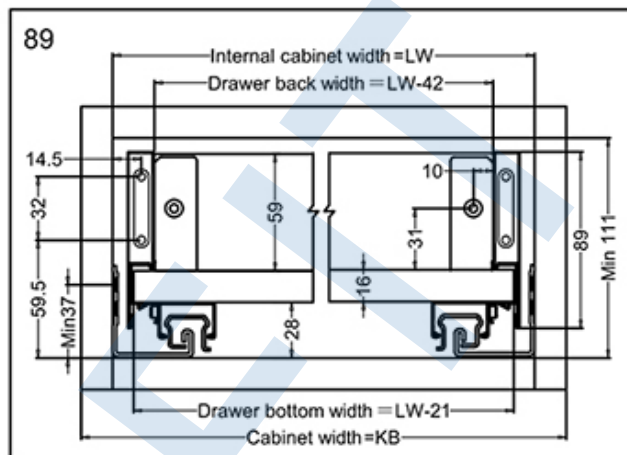


### Screw positions of the sides



### Drawer installation dimensions (mm)

LW=Internal cabinet width



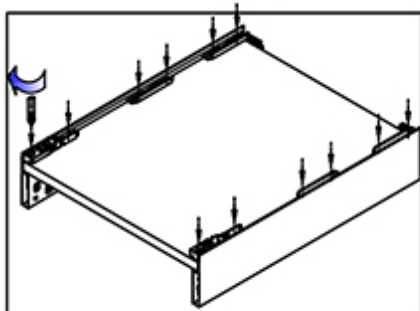
# Vero Drawer System

## Slim Drawer (SC-801 / 802 / 803)

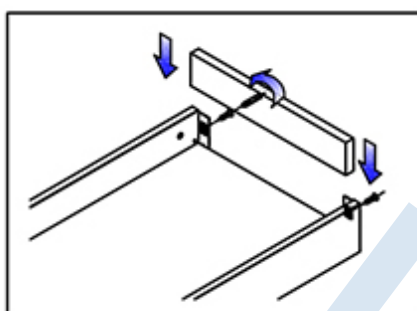
### 808 Series slender metal drawer

Assembly removal and adjustment

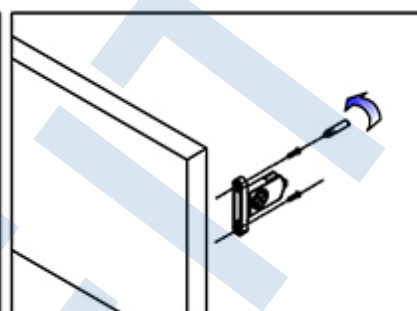
#### Drawer assembly



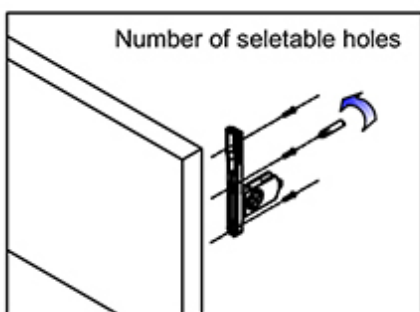
Bottom assembly



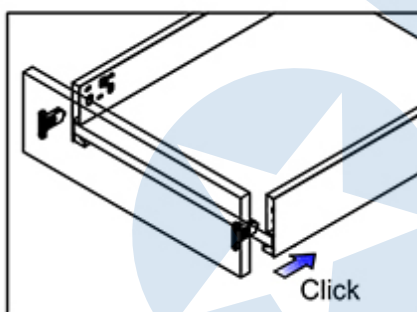
Back assembly



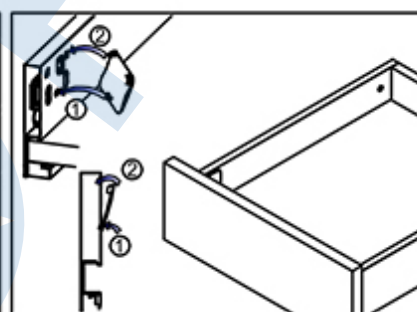
89 Front assembly



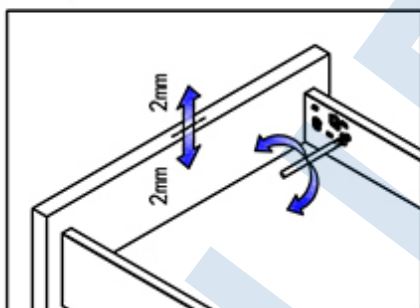
121 Front assembly



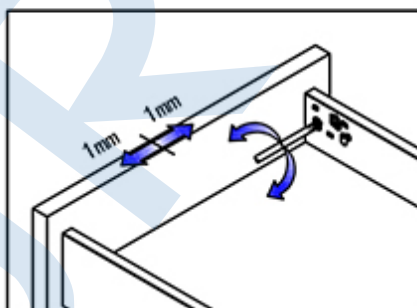
Click



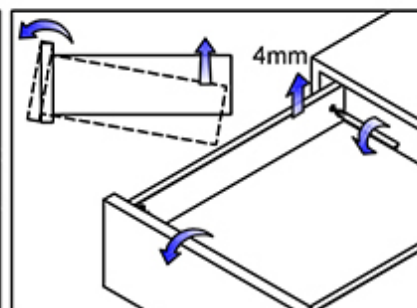
#### Adjustment



Up&down adjustment

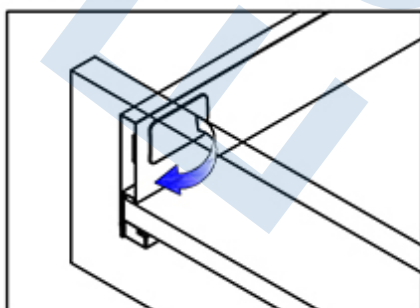


Left&right adjustment

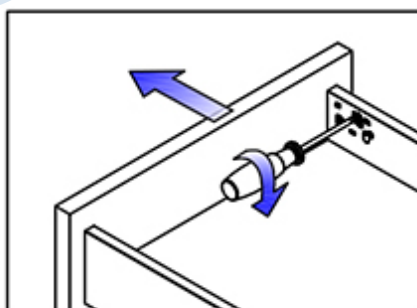


Front slope angle adjustment

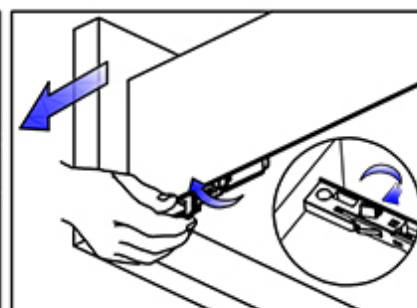
#### Removal



Tip up the cover and pull out



Removal drawer front



Removal drawer

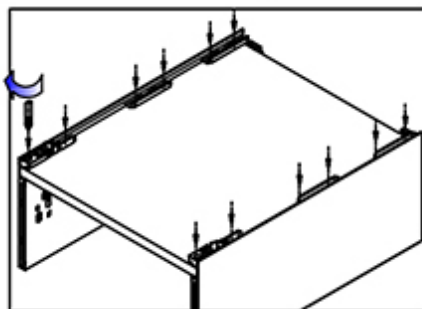
# Vero Drawer System

## Slim Drawer (SC-801 / 802 / 803)

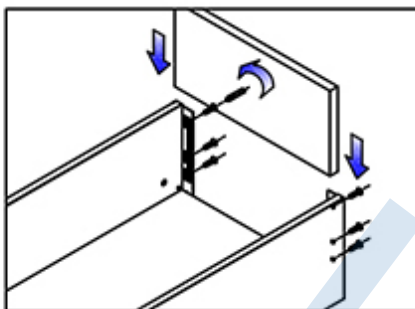
### 808 Series slender metal drawer

Assembly removal and adjustment

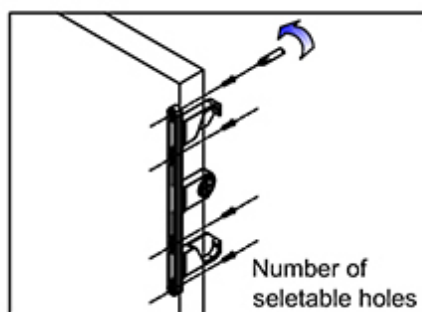
#### Drawer assembly



Bottom assembly

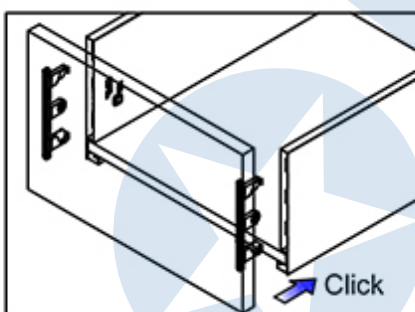


Back assembly

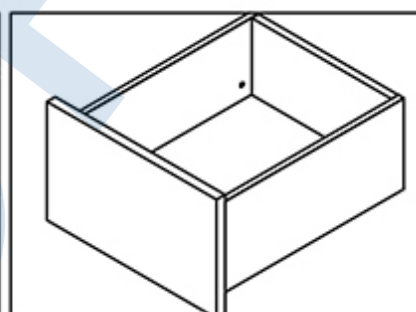


Front assembly

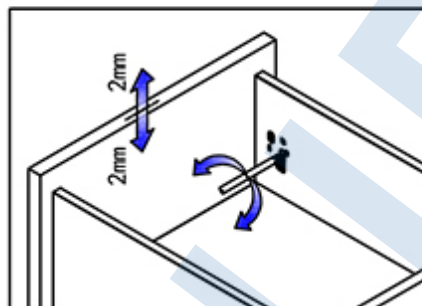
Number of selectable holes



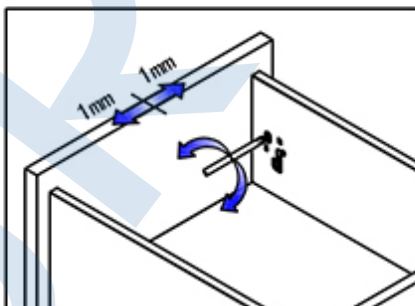
Click



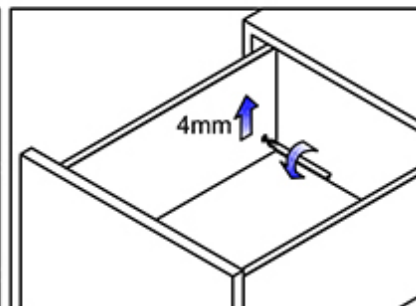
#### Adjustment



Up&down adjustment

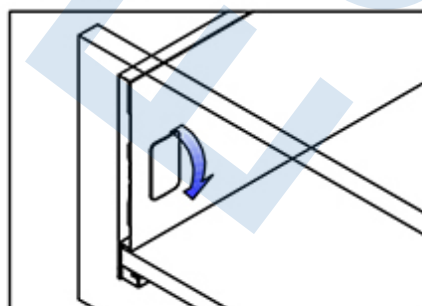


Left&right adjustment

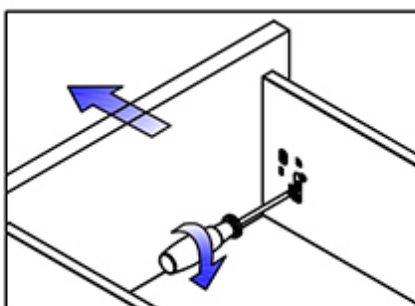


Front slope angle adjustment

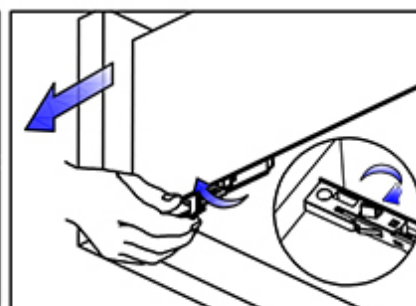
#### Removal



Tip up the cover and pull out



Removal drawer front



Removal drawer