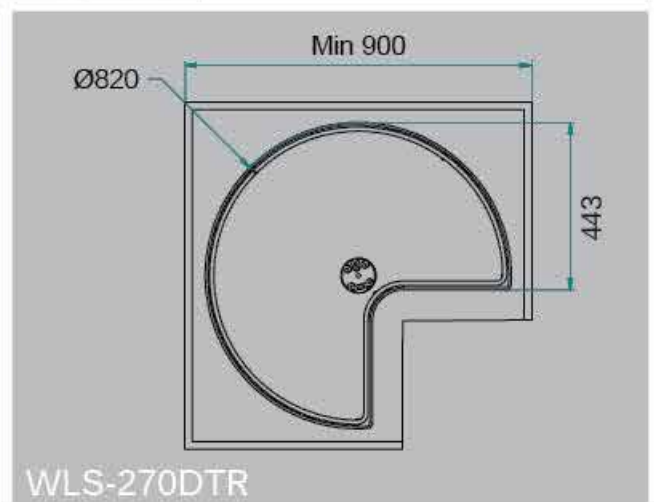
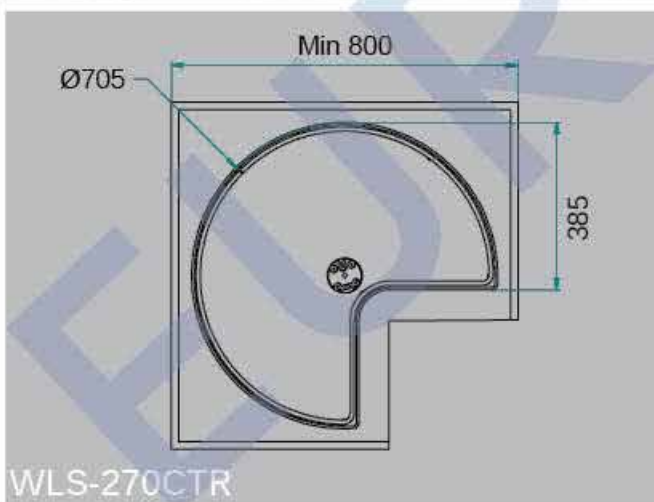
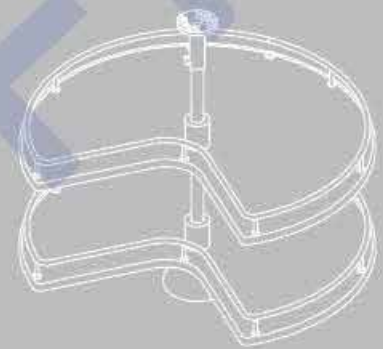


Corner Cupboard Solutions



- * *Independently Rotating Trays*
- * *Melamine Trays*
- * *Anti-Slip Surface*
- * *Height Adjustable*
- * *Soft Clip Positioning*



270 Degree Lazy Susan

Load Capacity: 15kg Per Tray

Item No.	Basket Size	Inner Cabinet Height (min - max)	Min. Cabinet Width (outside to outside)
WLS-270CTR	Ø705	665~700	800
WLS-270DTR	Ø820	665~700	900

Sign Up to check prices & order online