

Door Stay (SDS-C100-TV) Soft Down (short arm)

INSTRUCTION MANUAL : A LAPCON SERIES PRODUCT

LAMP

SOFT DOWN STAY TYPE SDS-100-TV & SDS-C100-TV

■ Please follow these instructions carefully.

- Please read this instruction sheet carefully for proper installation and operation. Incorrect installation and improper use of the product may damage the unit or cause injury.
- This stay is designed for furniture or lightweight door and is equipped with a damping function.
- Sugatsune guarantees the quality of this product as for all its parts. It cannot however guarantee the final assembly as a whole.
- This product was manufactured and delivered with our utmost care. Should you however find any defect, please contact your dealer immediately.
- Sugatsune warrants that this product is free from defect for a period of one(1) year from the date of delivery.
- Sugatsune liability is limited to the replacement of this product by a similar one free of defect. In no case dose this extend to the replacement of the installation or the cabinet as a whole.
- Please keep these instructions at hand for future use.
- Sugatsune cannot be held liable for any damage or injury caused by improper use or one different than the one this product was designed for.

CAUTIONS : Any failure to observe the following precautions may result in personal injury or damage to the cabinet.

- ❶ Make sure that installation position and specifications are followed. Unsuitable installation position may damage the mechanism when in case two stays are used together.
- ❷ Make sure that the arm of the stay is parallel with the side panel of the cabinet.
- ❸ To avoid serious damage and/or injury, do not attempt to disassemble the body of SDS stay.
- ❹ Applicable working temperature is between 5-35 °C and the opening/closing speed may be differed in temperature change. The door opening/closing speed may be too slow or fast out of applicable working temperature range. (5-35 °C)
- ❺ Additional supporting stay may be needed when any objective or any enforcement is put on the door in opening position.
- ❻ Please avoid forced opening beyond the opening angle, and using excessive force while opening the door.
- ❼ SDS-C100-TV has catch function, which keeps the door closed. Depending on the number of stays used or door size/weight etc., the opening enforcement will be differed.
- ❽ SDS-100-TV does not have a catch function. Separated parts with catch/latch function are required to keep the door closed.
- ❾ For SDS-C100-TV, in order to maintain the catch function integrated, the recommendable door height in usage is 150-300 mm.
- ❿ This product is developed as a flap stay. Do not use it for other purposes.

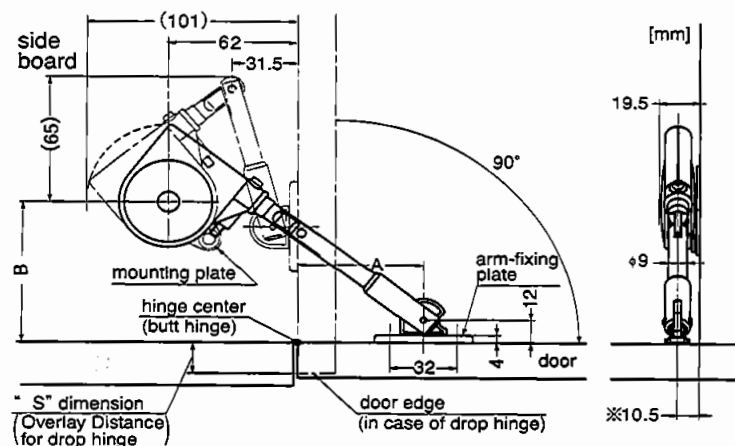
PLATE POSITION FOR INSTALLATION

Depending on the type of hinges used, the position of mounting plate and arm-fixing plate should be fixed as indicated below.

The distance of A, B are measured from the center of the butt hinge.

In the case of a drop hinge, dimension A indicates the door end and dimension B the top surface of the bottom board.

Please contact our customer service when other type of hinges are used.



	A	B
Butt Hinge (one axis)	60	73
Drop Hinge (SDH-001)	49 + S	62

S=Overlay coverage by Drop Hinge

Door Stay (SDS-C100-TV) Soft Down (short arm)

INSTRUCTION MANUAL : A LAPCON SERIES PRODUCT 

LAMP®

SOFT DOWN STAY TYPE SDS-100-TV & SDS-C100-TV

■ Please follow these instructions carefully.

- Please read this instruction sheet carefully for proper installation and operation. Incorrect installation and improper use of the product may damage the unit or cause injury.
- This stay is designed for furniture or lightweight door and is equipped with a damping function.
- Sugatsune guarantees the quality of this product as for all its parts. It cannot however guarantee the final assembly as a whole.
- This product was manufactured and delivered with our utmost care. Should you however find any defect, please contact your dealer immediately.
- Sugatsune warrants that this product is free from defect for a period of one(1) year from the date of delivery.
- Sugatsune liability is limited to the replacement of this product by a similar one free of defect. In no case dose this extend to the replacement of the installation or the cabinet as a whole.
- Please keep these instructions at hand for future use.
- Sugatsune cannot be held liable for any damage or injury caused by improper use or one different than the one this product was designed for.

CAUTIONS : Any failure to observe the following precautions may result in personal injury or damage to the cabinet.

- ❶ Make sure that installation position and specifications are followed. Unsuitable installation position may damage the mechanism when in case two stays are used together.
- ❶ Make sure that the arm of the stay is parallel with the side panel of the cabinet.
- ❶ To avoid serious damage and/or injury, do not attempt to disassemble the body of SDS stay.
- ❶ Applicable working temperature is between 5-35 °C and the opening/closing speed may be differed in temperature change. The door opening/closing speed may be too slow or fast out of applicable working temperature range. (5-35 °C)
- ❶ Additional supporting stay may be needed when any objective or any enforcement is put on the door in opening position.
- ❶ Pleses avoid forced opeinig beyond the opening angle, and using excessive force while opening the door.
- ❶ SDS-C100-TV has catch function, which keeps the door closed. Depending on the number of stays used or door size/ weight etc., the opening enforcement will be differed.
- ❶ SDS-100-TV does not have a catch function. Separated parts with catch/latch function are required to keep the door closed.
- ❶ For SDS-C100-TV, in order to maintain the catch function integrated, the recommendable door height in usage is 150-300 mm.
- ❶ This product is developed as a flap stay. Do not use it for other purposes.

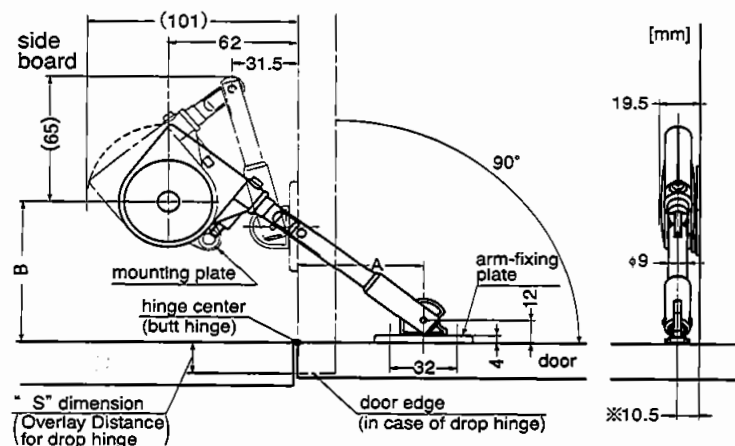
PLATE POSITION FOR INSTALLATION

Depending on the type of hinges used, the position of mounting plate and arm-fixing plate should be fixed as indicated below.

The distance of A, B are measured from the center of the butt hinge.

In the case of a drop hinge, dimension A indicates the door end and dimension B the top surface of the bottom board.

Please contact our customer service when other type of hinges are used.



	A	B
Butt Hinge (one axis)	60	73
Drop Hinge (SDH-001)	49 + S	62

S=Overlay coverage by Drop Hinge