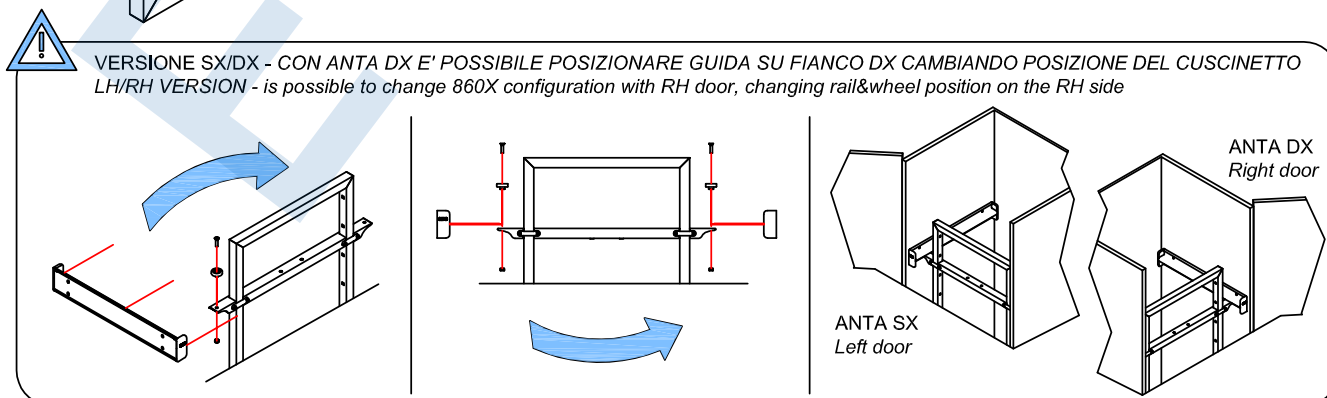
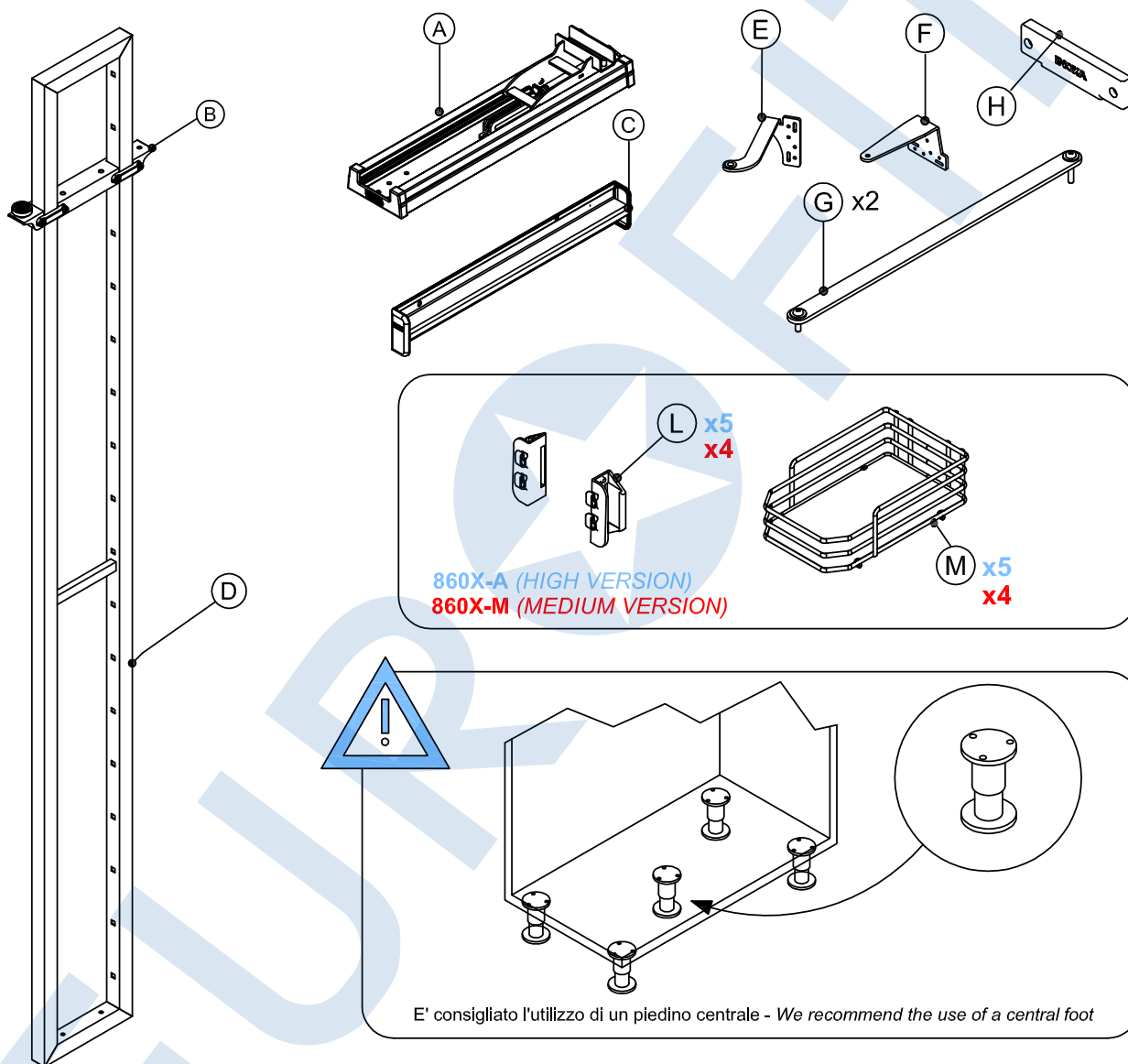


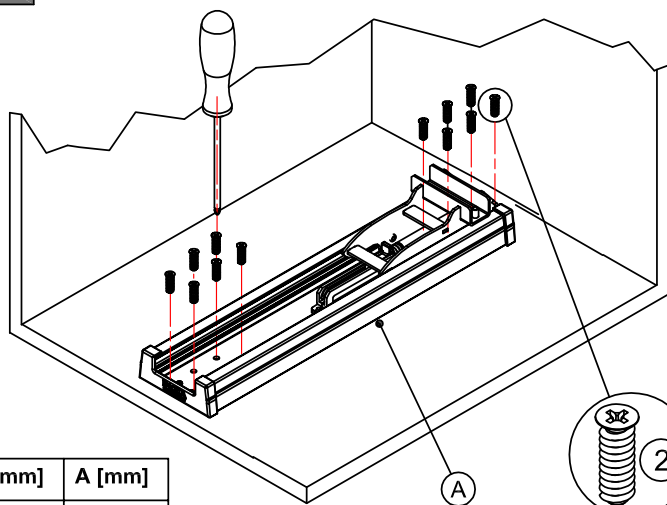
Total Access Column (WTA-450TR)

<p>15 min</p>	<p>x 1</p>		<p>4x18 DIN 7505 B</p> <p>1 x 12</p>	<p>Ø6.3 x 15</p> <p>2 x 16</p>	<p>M5x35</p> <p>4 x 1</p>
---------------	------------	--	--	------------------------------------	-------------------------------

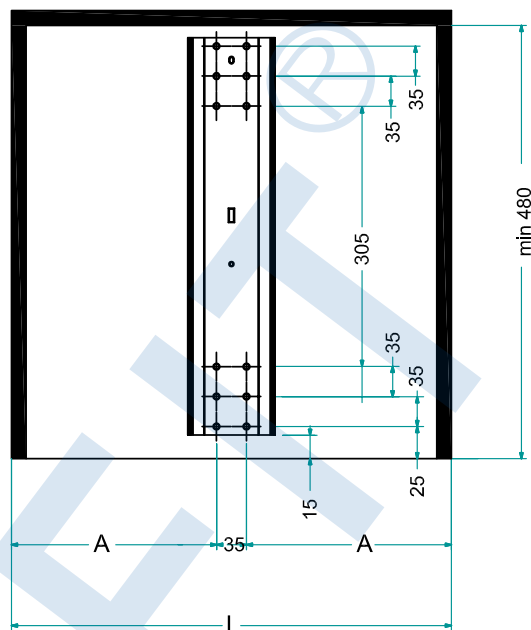


Total Access Column (WTA-450TR)

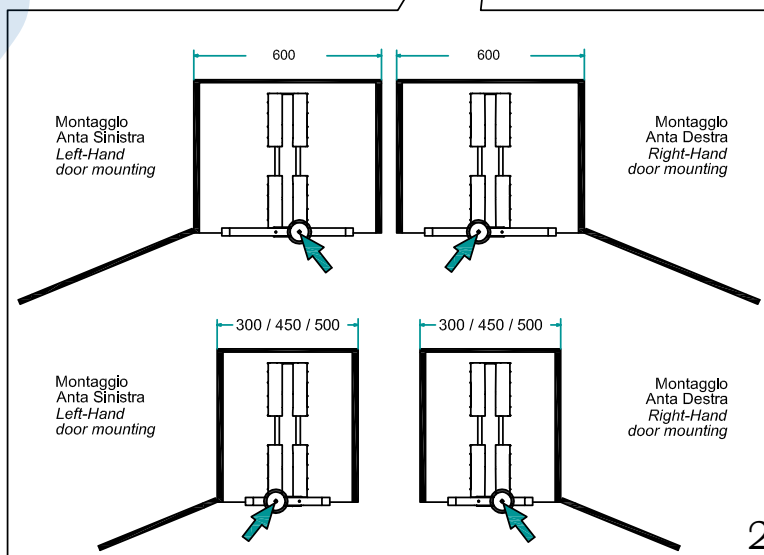
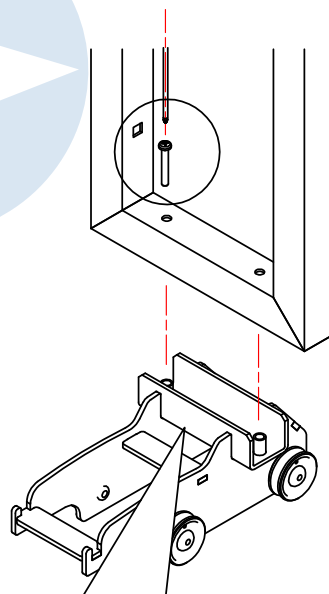
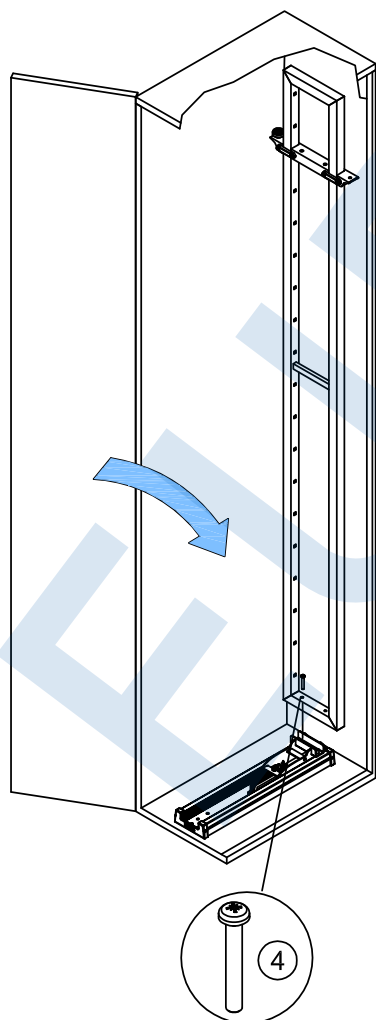
1



L [mm]	A [mm]
300	132.5
450	190
500	232.5
600	282.5

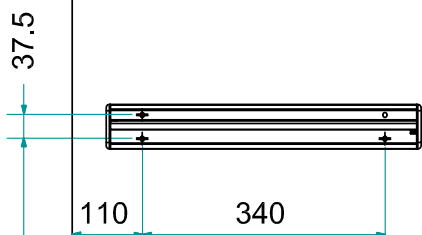
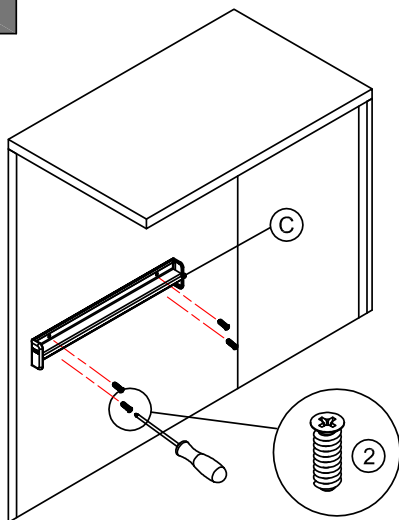


2



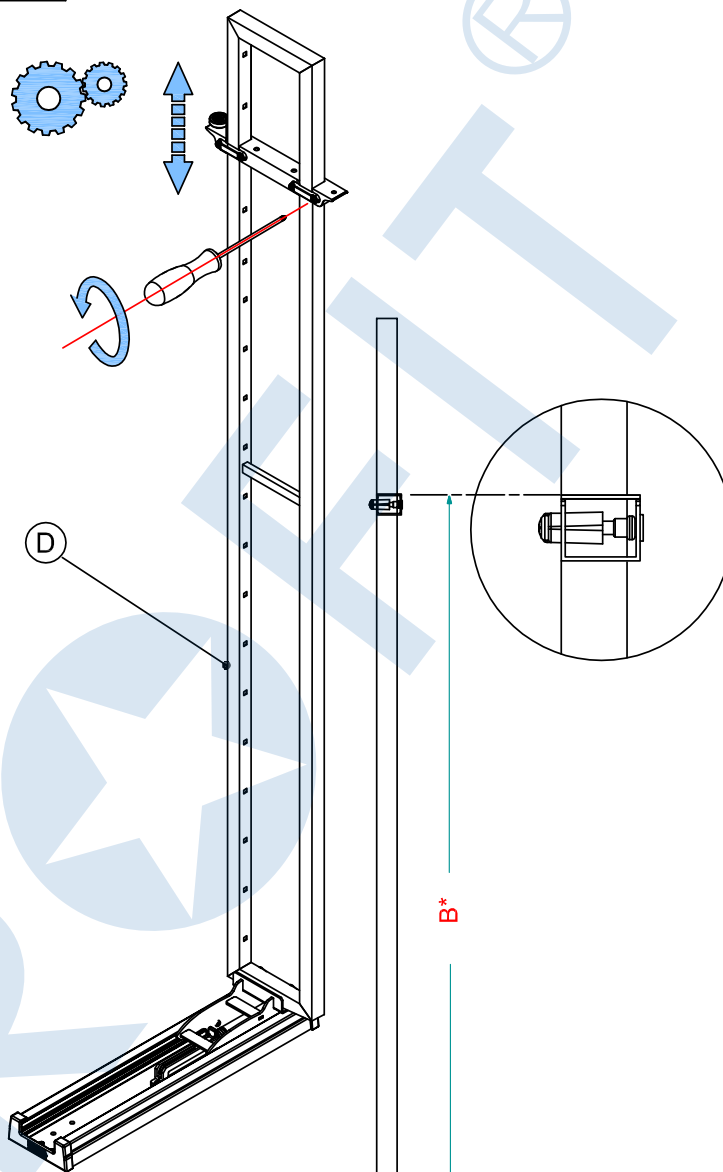
Total Access Column (WTA-450TR)

3



L [mm]	860X-A	860X-M
	High Version	Medium Version
300	A* [mm] 1492	A* [mm] 951
450	1525	985
500		
600		

4



L [mm]	860X-A	860X-M
	High Version	Medium Version
300	B* [mm] 1452	B* [mm] 911
450	1485	945
500		
600		

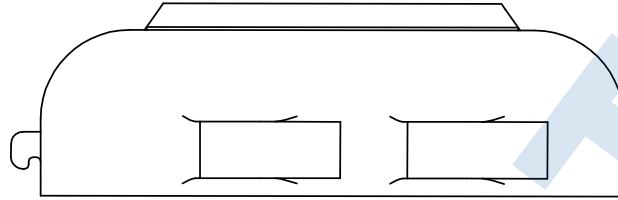
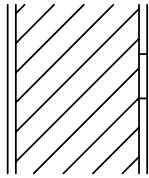
B*

* = ALTEZZA CONSIGLIATA - RECOMMENDED HEIGHT

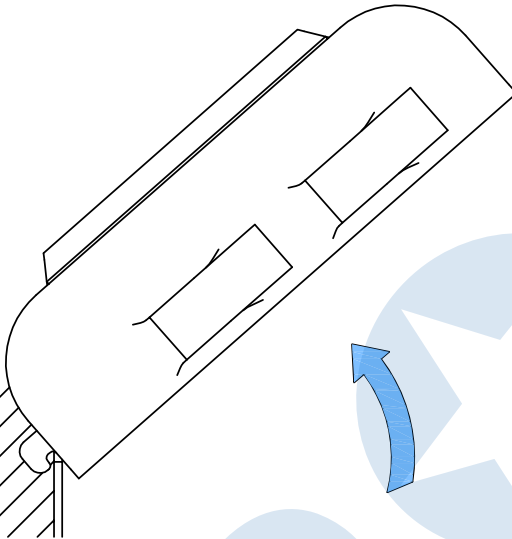
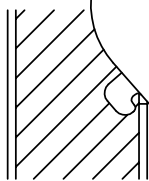
Total Access Column (WTA-450TR)

EUROFIT®

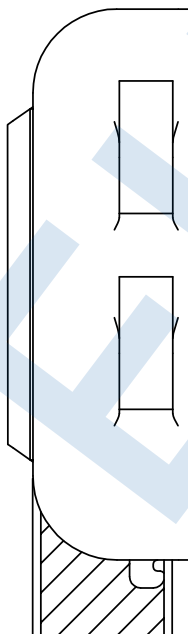
I



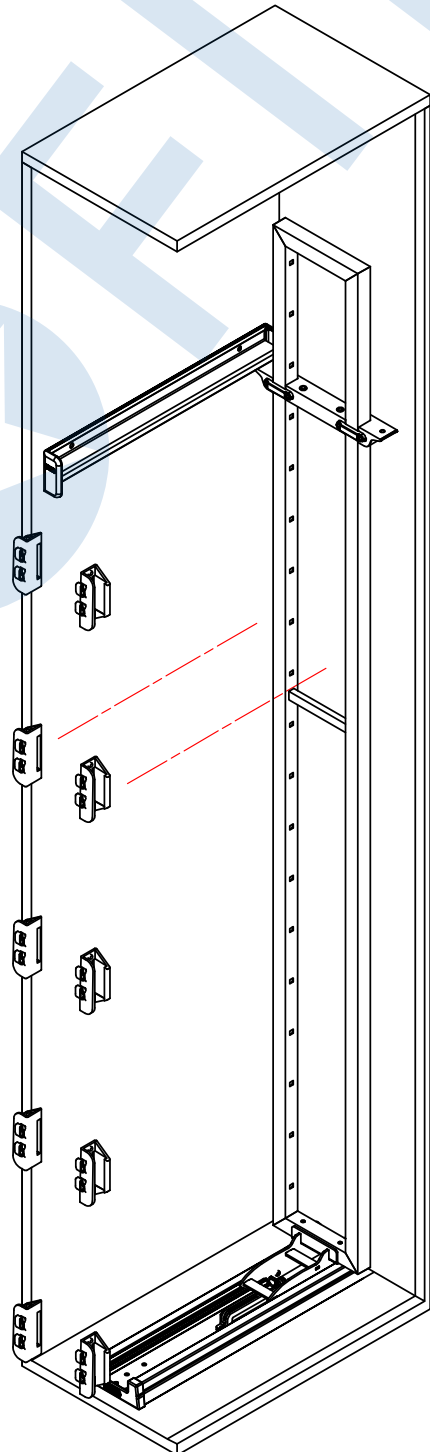
II



III

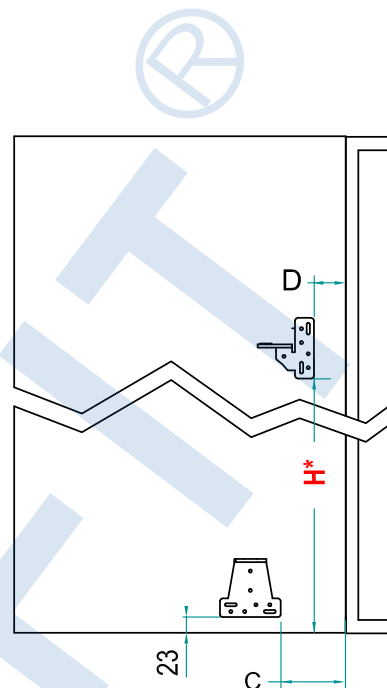
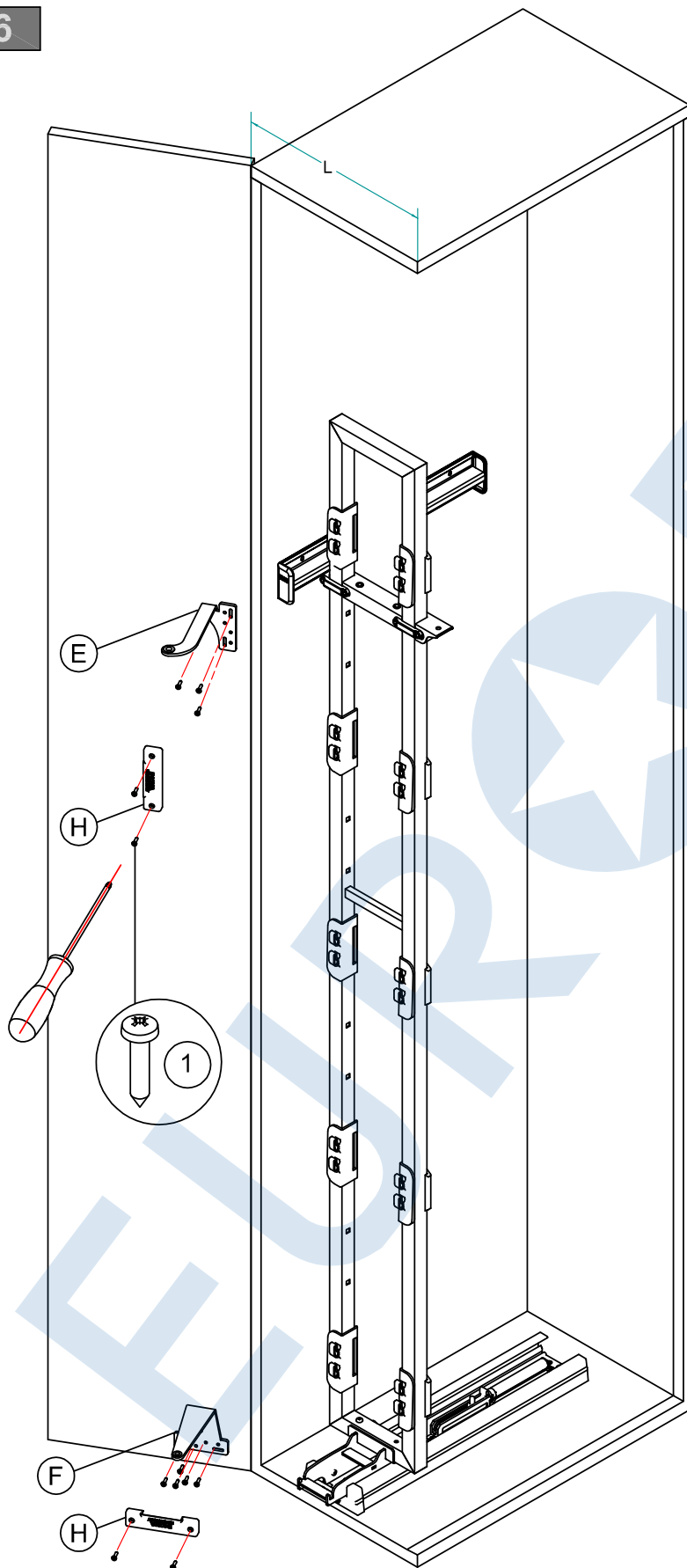


CLICK!

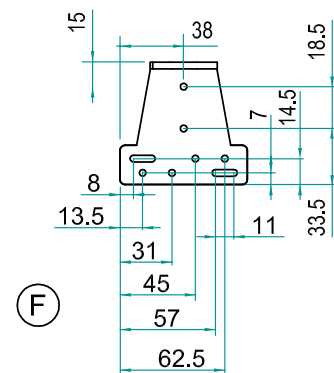
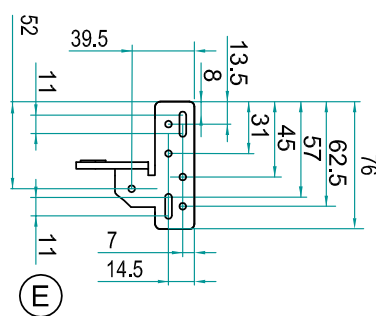


Total Access Column (WTA-450TR)

6



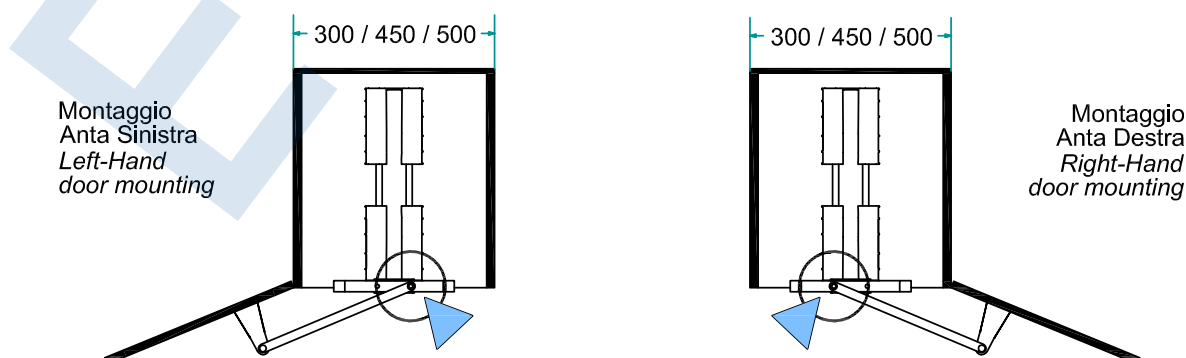
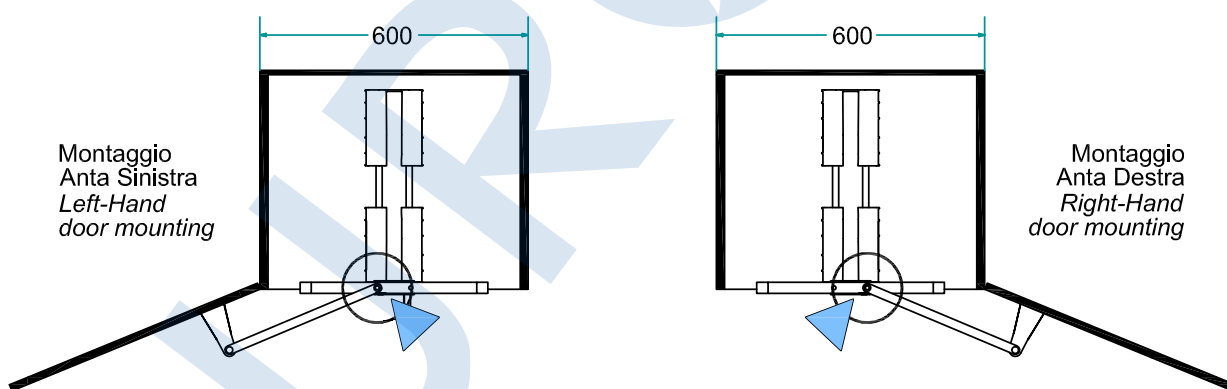
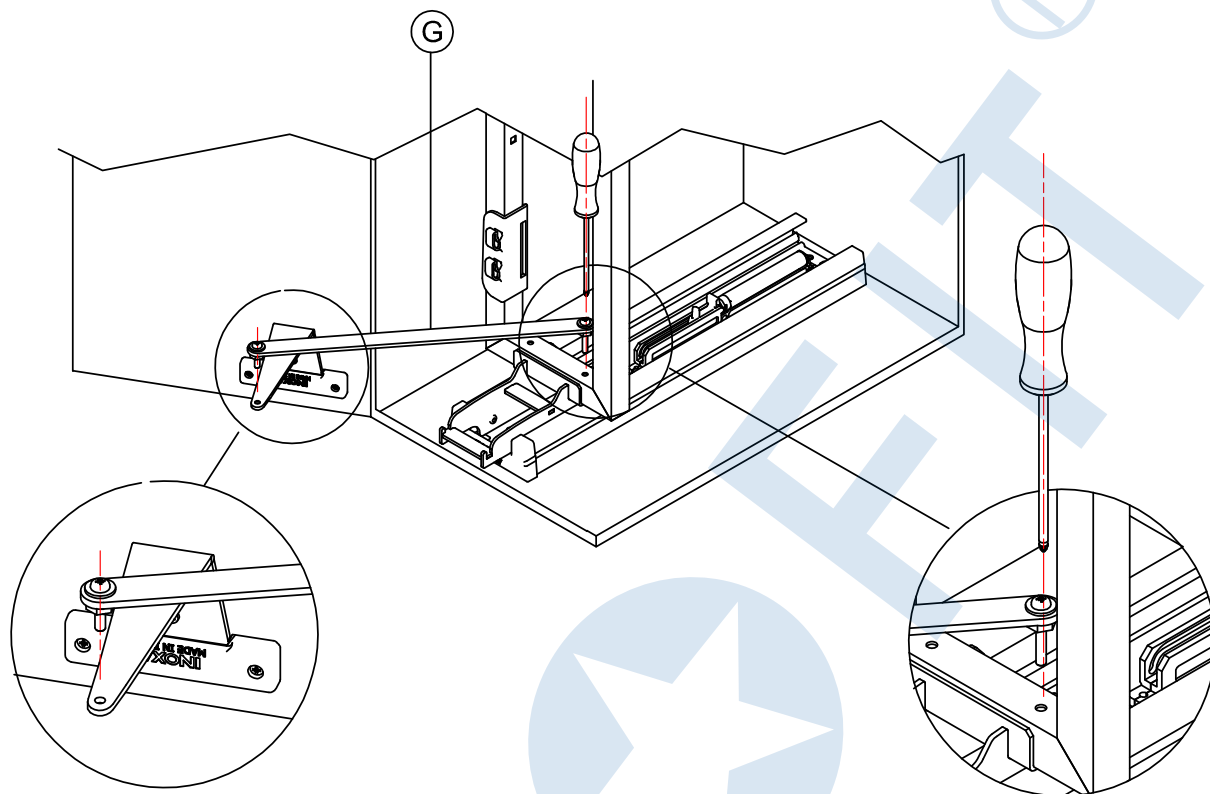
L [mm]	C [mm]	D [mm]	860X-A	860X-M
			High Version	Medium Version
300	45	23	1477	937
450	45	23	1510	971
500	45	23		
600	45	23		



* = ALTEZZA CONSIGLIATA
RECOMMENDED HEIGHT

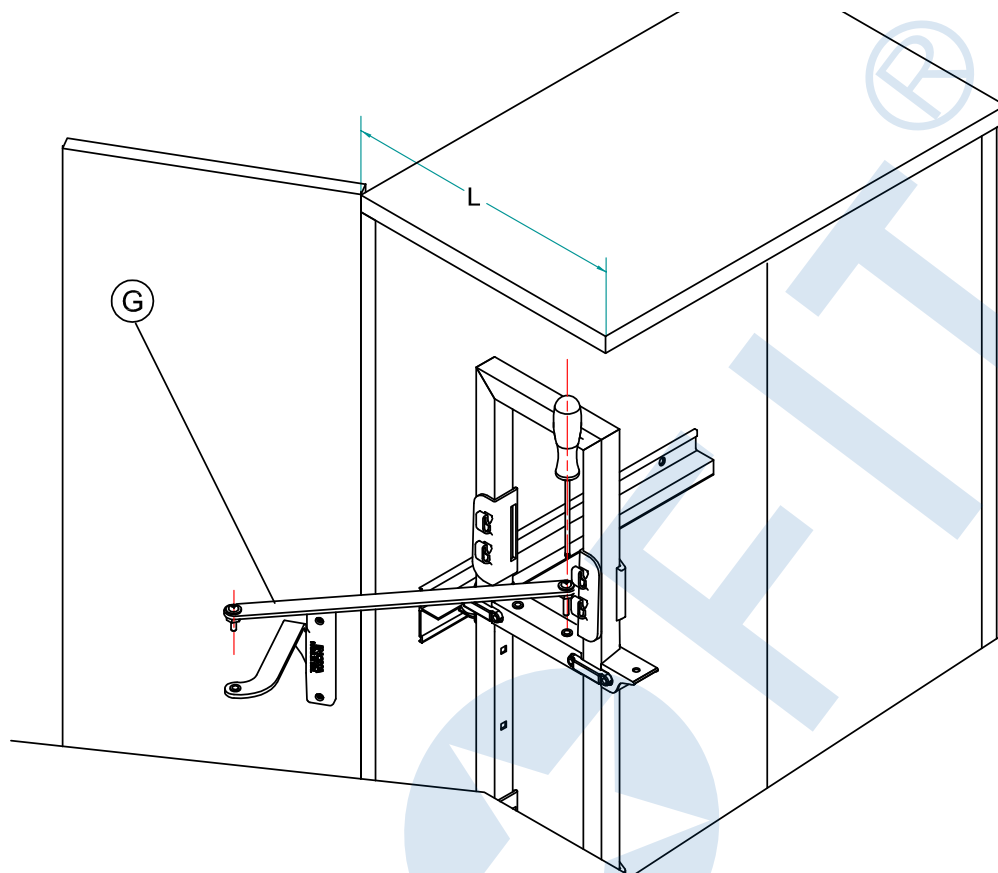
Total Access Column (WTA-450TR)

7

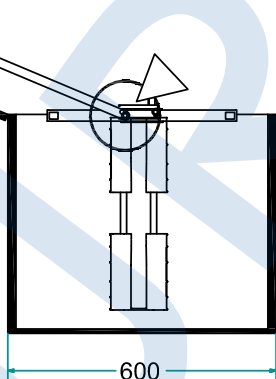


Total Access Column (WTA-450TR)

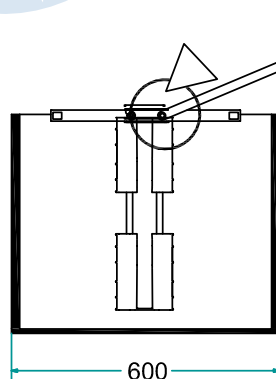
8



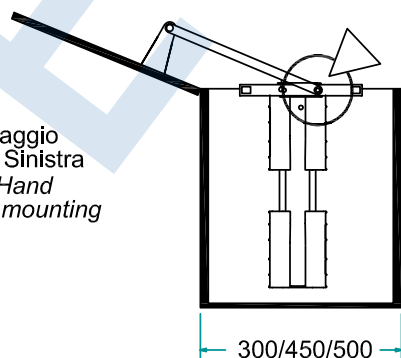
Montaggio
Anta Sinistra
Left-Hand
door mounting



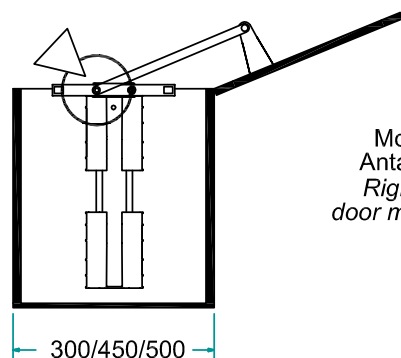
Montaggio
Anta Destra
Right-Hand
door mounting



Montaggio
Anta Sinistra
Left-Hand
door mounting



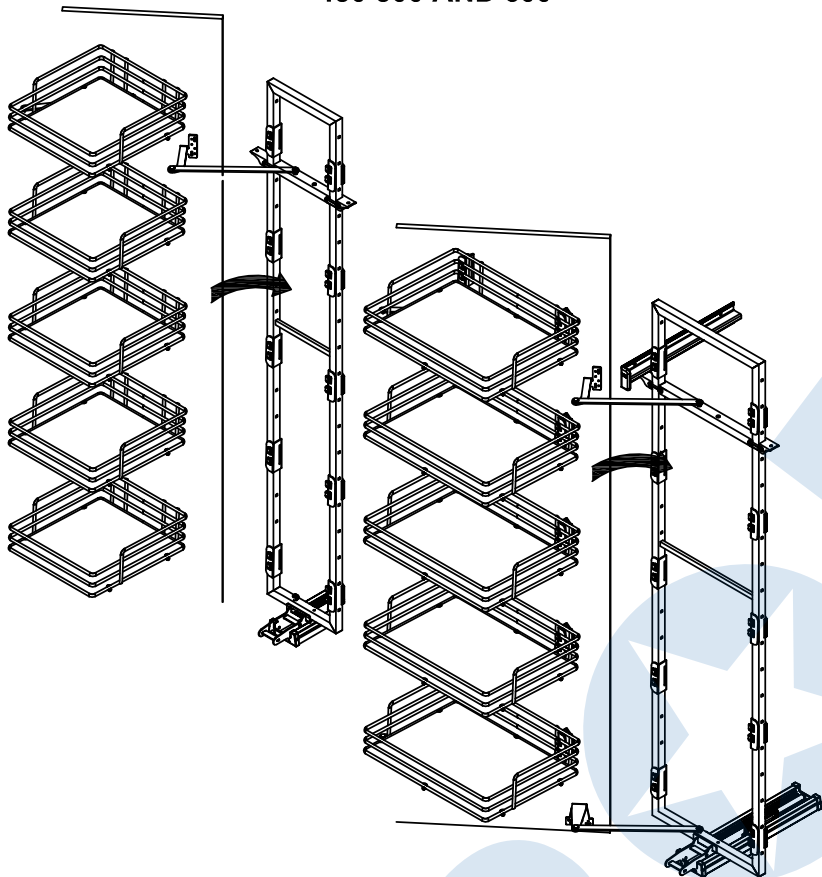
Montaggio
Anta Destra
Right-Hand
door mounting



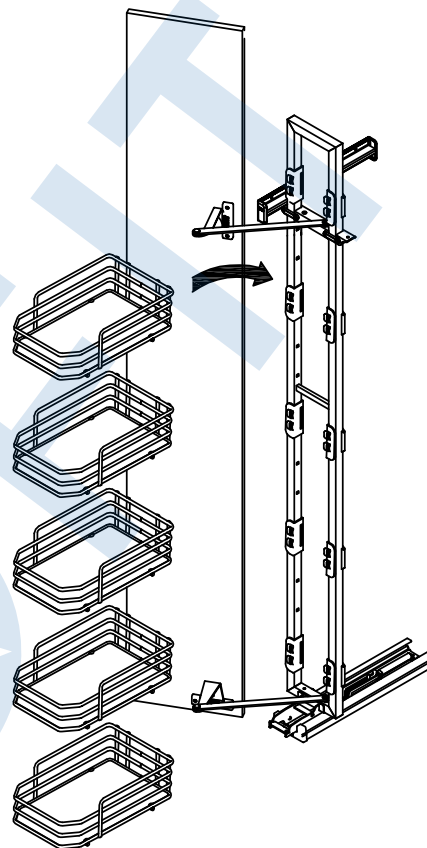
Total Access Column (WTA-450TR)

9

450 500 AND 600



300



300:Cesti in posizione Centrale
300:Baskets in central position

