

31L + 31L Bin (WB_610Dsc) Soft Closing

*1:1 Template included

JC-641M

Fitting instructions

IMPORTANT - The unit has a maximum loading limit of 25kg including door.
Bin to suit 450mm wide cabinet using 16-19mm thick carcass material.
All fixings supplied must be used for installation.

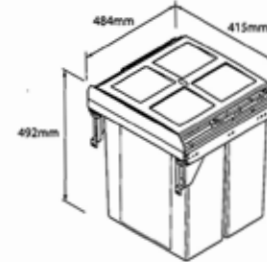
- Parts**
- A x12 4 x 16mm screw
 - B x4 4 x 14mm screw
 - C x4 Screw (M4 x 8mm)
 - D x2 Screw (M6 x 15mm)
 - E x2 Screw (M5 x 8mm)
 - F x4 Screw (M5 x 16mm)
 - L Lid bracket LH x1
 - M Lid bracket RH x1
 - N Lid x1
 - P Frame x1
 - Q Container x2
 - G Lid bracket LH x1
 - H Lid bracket RH x1
 - J Runner LH x1
 - K Runner RH x1

! Please ensure that all the above fittings are present before installation begins.

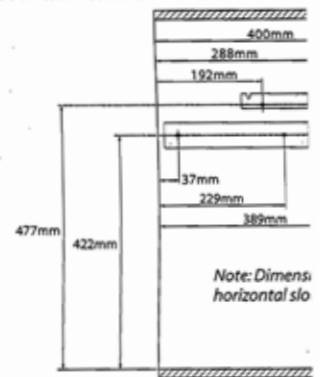
Tools required



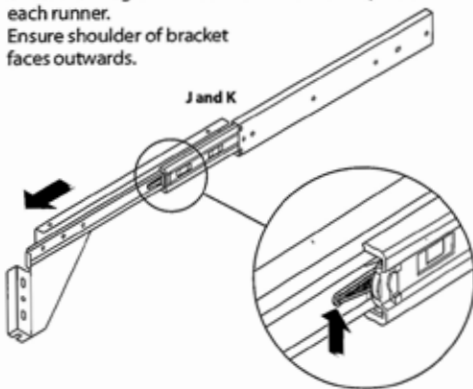
Dimensions - maximum



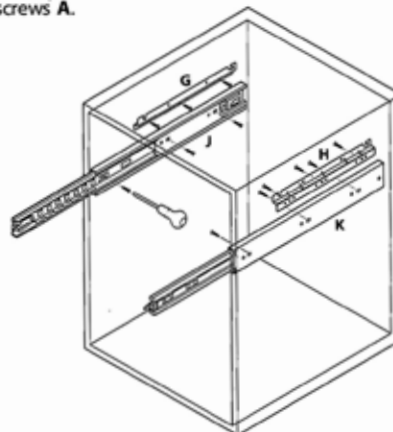
1 Mark screw positions for lid brackets on both cabinet sides.



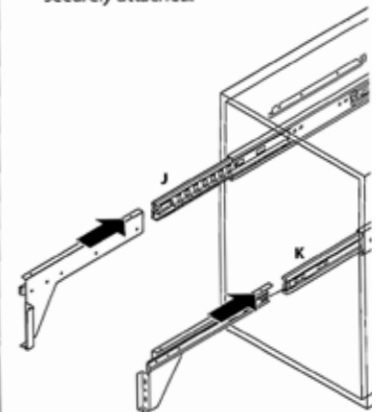
2 Lift the locking levers and remove the front part of each runner. Ensure shoulder of bracket faces outwards.



3 Fit the lid brackets and runners to cabinet sides using screws A.



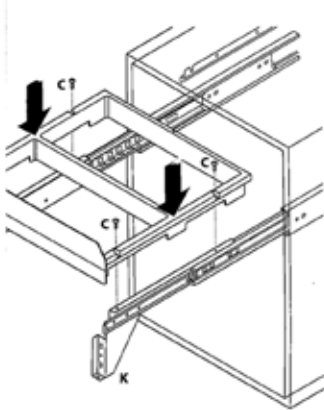
4 Assemble each runner until the locking is securely attached.



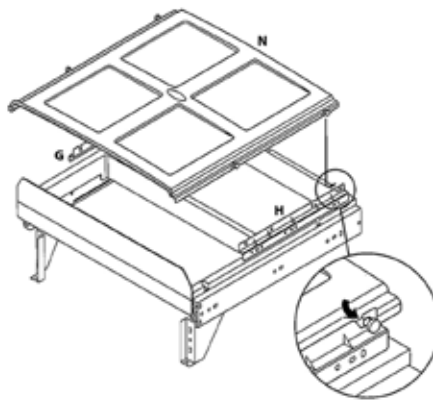
31L + 31L Bin (WB_610Dsc) Soft Closing

*1:1 Template included

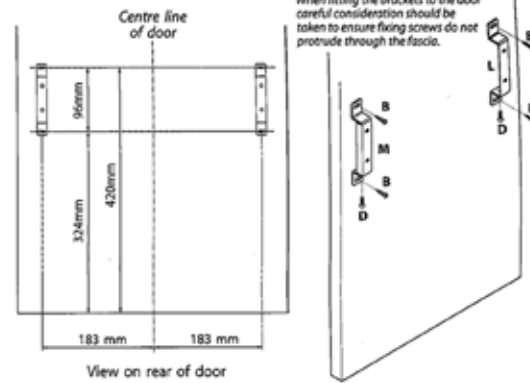
frame to the runners using screws **C**.



6 Fit the lid to the lid brackets.



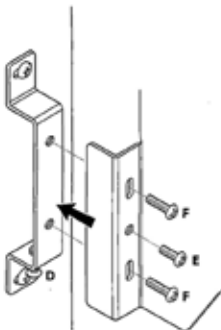
7 Fit the door brackets to the door.



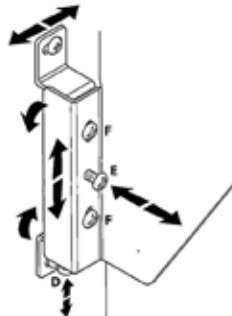
Calculate centre line of door and use above measurements to mark door bracket screw positions.

Fit door brackets to door using screws **B**. Ensure adjustment screws **D** are fitted at this stage

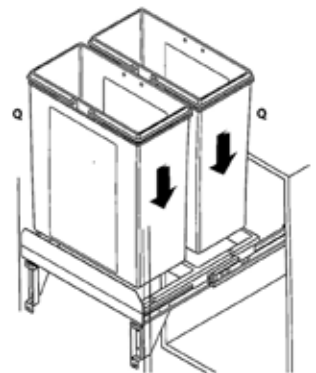
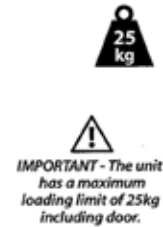
8 Fit the door to the runners.



9 Align the door to the cabinet using the adjustment screws.



10 Fit the containers.



11 Drilling position for front door

