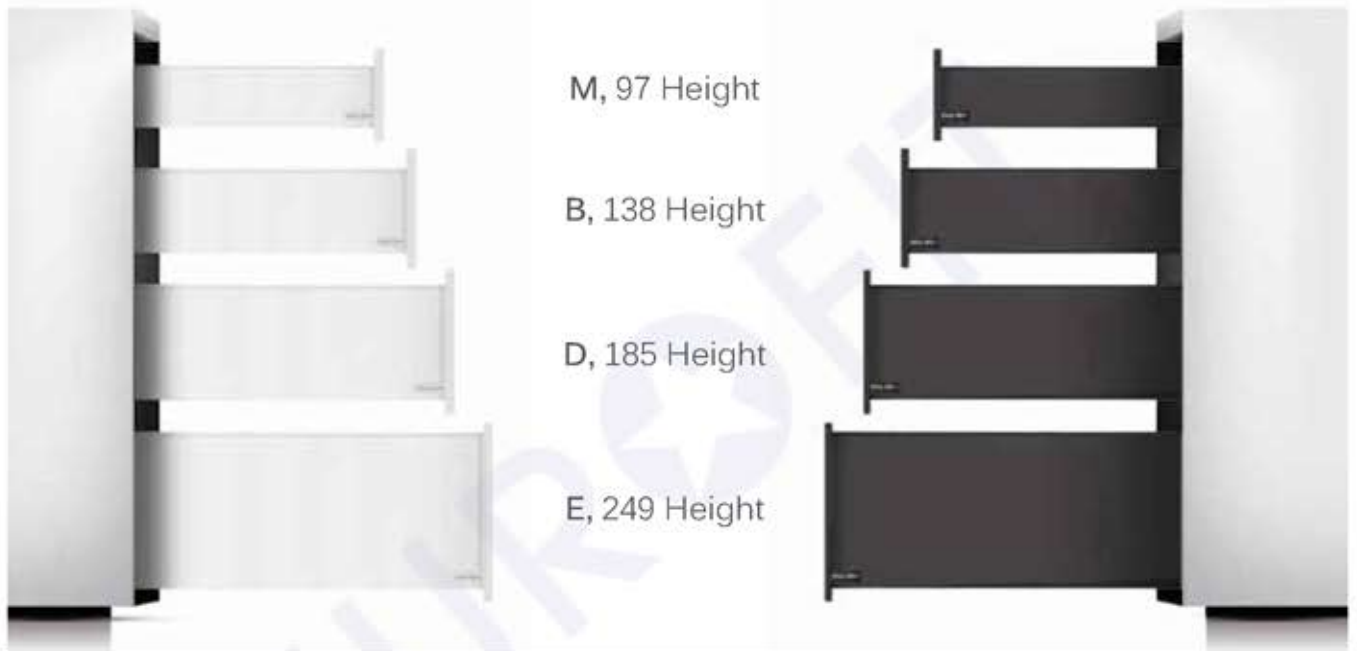


## King Slide Slim Drawer Systems

**King Slide®**



M, 97 Height

B, 138 Height

D, 185 Height

E, 249 Height

- **Soft Closing or**

- **Soft Closing & Push Open**

*Include push open on /off switch.*

- **13mm Ultra Slim Drawer Sides**

- **Max Load 40kg or 70 kg**

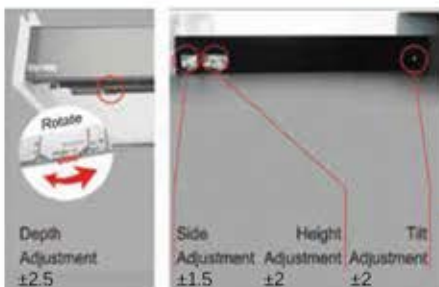
*The medium & heavy duty rail systems can carry maximum weights of 40kg or 70kg so that even heavy drawers run smoothly without a hitch.*

- **8-Way Adjustments**

*Aligning the gap around the drawer front and depth can be done more precisely with new adjustment devices.*

- **Synchronized Movements**

*The Synchronized movements of three slide members not only minimize noises but enable more smooth running motions.*



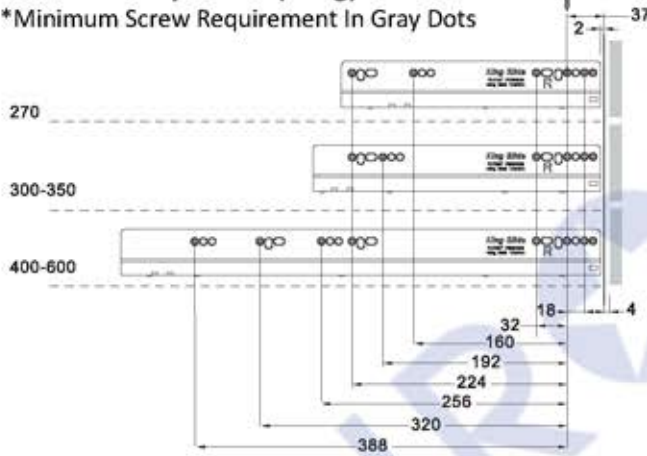
## King Slide Slim Drawer Systems

**King Slide**®

### Cabinet Screw Positions

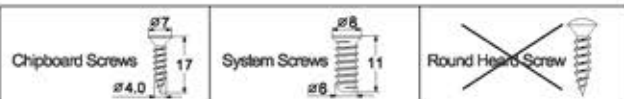
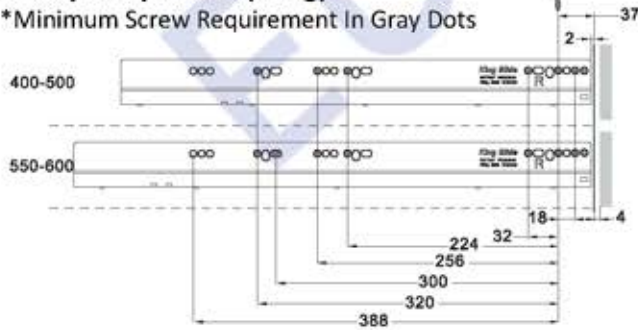
#### Medium Duty Slides (40kg)

\*Minimum Screw Requirement In Gray Dots

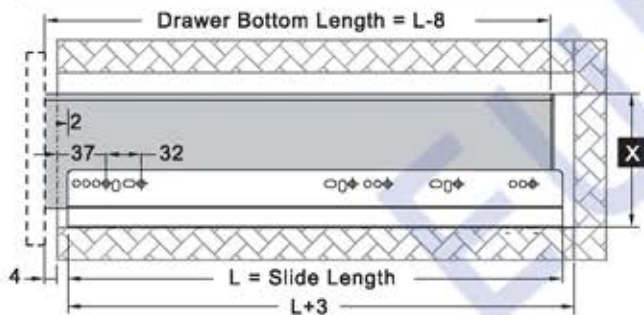


#### Heavy Duty Slides (70kg)

\*Minimum Screw Requirement In Gray Dots



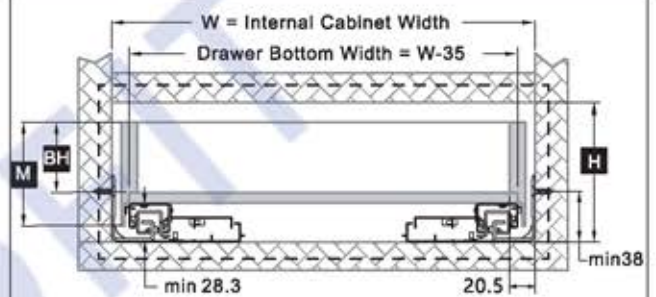
### Side View



\*Note:

The minimum gap for push open function is 2.5 mm.  
The minimum requirement gap might slightly increase in the actual installation.

### Front View

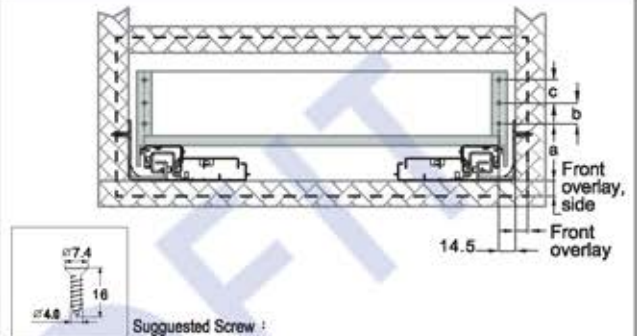


	Model	M	B	D	E
SIMLEAD Box	M	97	138	185	249
SIMLEAD Metal Drawer System	X	109	150	197	261
	H	min114	min155	min203	min267
	BH	60	102	149	213

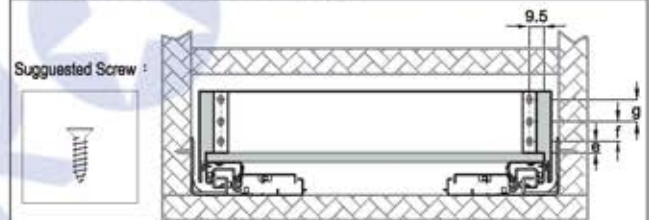
Drawer Front/Back Thickness=16mm / (Unit:mm)

**W**=Internal Cabinet Width **L**=Slide Length **X**=Height of Slide + Drawer Side  
**H**=Internal Cabinet Height **BH**=Drawer Back Height **M**=Drawer Side Height

### Drawer Front Screw Position

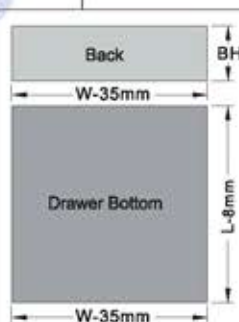


### Drawer Back Screw Position



\* 16mm material is required for drawer bottom & back (Unit: mm)

Size	M	B	D	E
a	min57.5	min57.5	min57.5	min57.5
b	32	32	96	160
c	-	-	32	32
e	15.5	15.5	15.5	15.5
f	32	32	55.5	87.5
g	-	32	55.5	87.5





## King Slide Soft Closing & Push Open Slim Drawer Systems

**King Slide®**



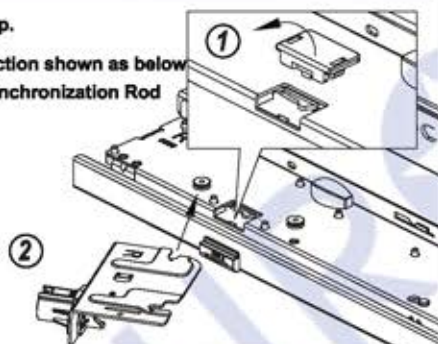
Synchronization Rod Connectors & Adapters



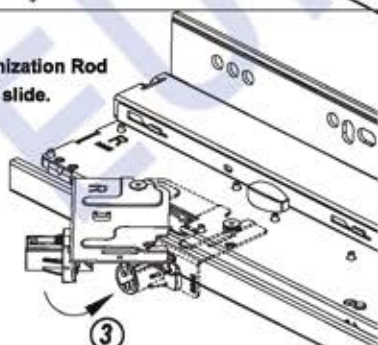
Synchronization Bar (1M)

### Installation Instruction

- 1 Remove the cap.
- 2 Follow the direction shown as below to insert the Synchronization Rod Connector.

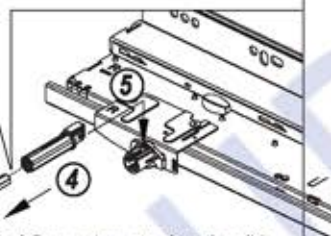


- 3 Insert the Synchronization Rod Connector onto the slide.



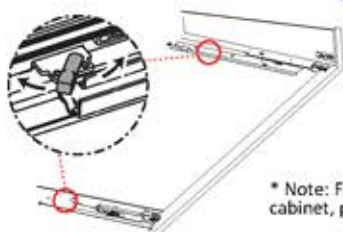
\*The Angle Of The Synchronization Rod Adaptors Must Be Aligned

- 4 Attach the synchronization rod connectors to both sides of the trimmed rod.
- 5 Press to firmly connect together until "click" sound is heard



\* Remove the Synchronization Rod Connectors attach to the slide. When synchronization rod is not used.

### Push Open Switch



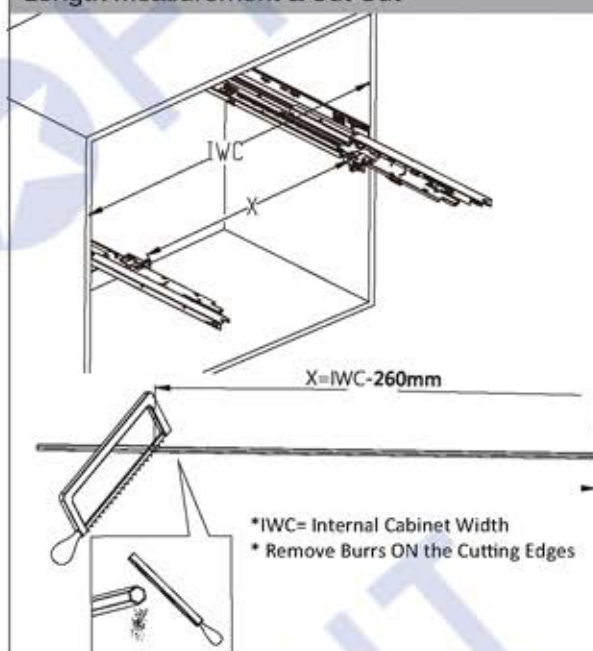
**Only Soft Close:**  
Flip over the switch forward to disable push open function.



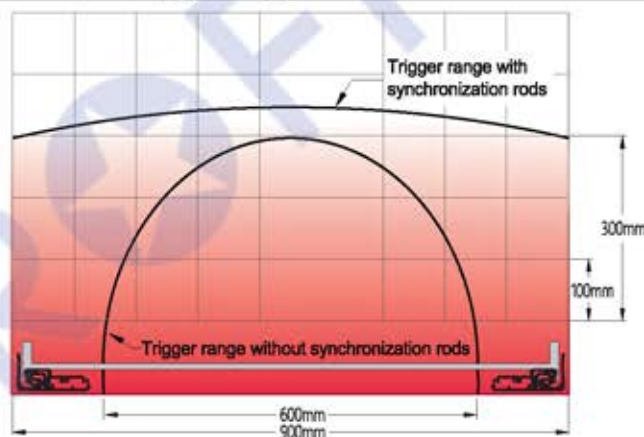
**Push Open + Soft Close:**  
Flip the switch backward to enable push open function.

\* Note: For safety consideration, the manufacturer default position is in soft close position. When the slide is mounted to cabinet, please switch to push open + soft close position. Check the push open function on 2 sides of the drawer slides.

### Length Measurement & Cut Out



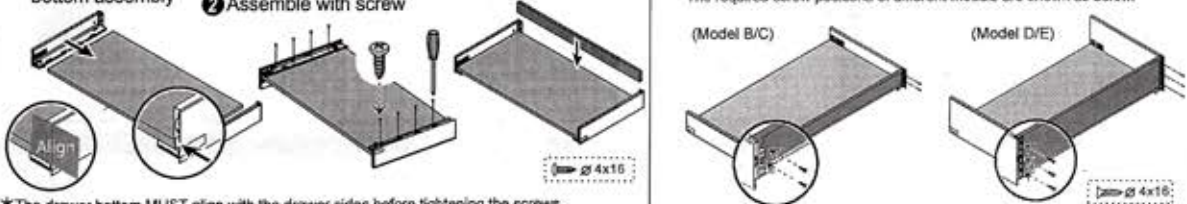
### Push Open Trigger Range



\* The Example Of Height B Is Shown In The Diagram. The Actual Trigger Range May Vary In Accordance With The Precision Of Installation

### Installation Instruction

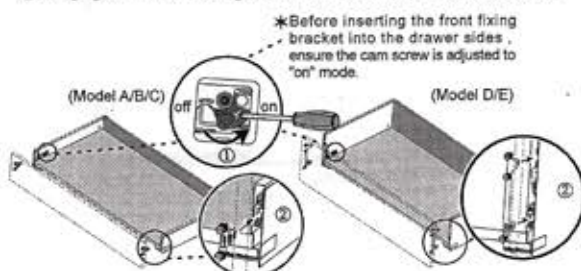
- 1 Drawer side and bottom assembly
- 2 Assemble with screw
- 3 Insert the drawer back.
- 4 Secure drawer back and drawer sides together with screw.



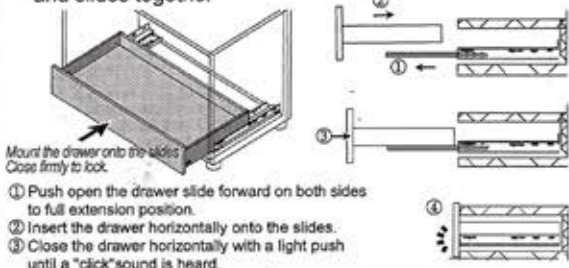
- 5 Fasten the front fixing bracket to the drawer front with screw



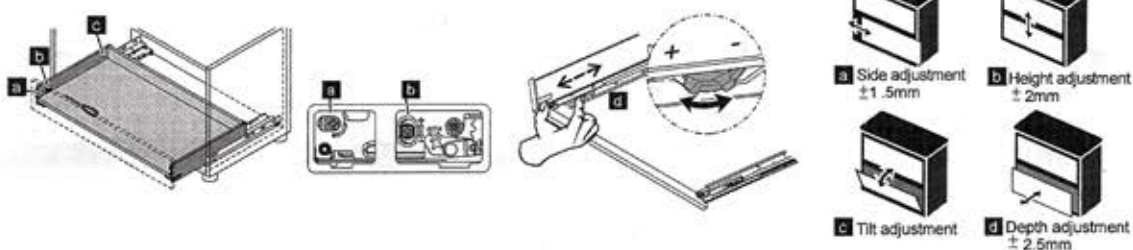
- 6 Engage the front fixing bracket into the metal drawer sides



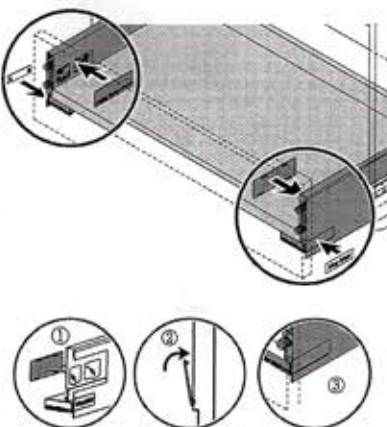
- 7 Install the drawer and slides together



- 8 8 ways adjustment illustration



- 9 Cover cap installation



### Removal Instruction

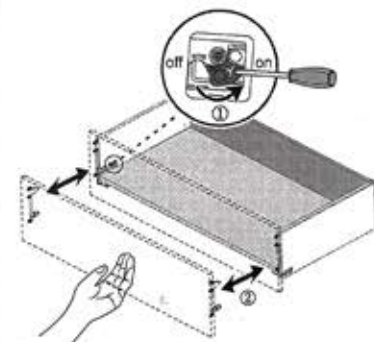
#### Drawer removal

Open the drawer and press the latch inward to release the drawer away from the slide.



#### Drawer front removal

Turn the cam screw counterclockwise to release drawer front fixing bracket.



\*Ensure to hold the drawer front panel in case of falling when releasing the front fixing bracket.

\* Note: King Slide reserves the right to alter specifications of all the products without notice. The actual product may vary from the illustration. If the entity is different from the illustration, please refer to the entity.