

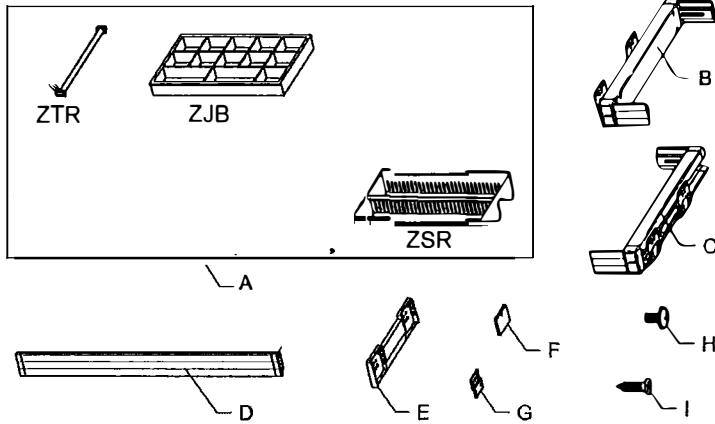
Storage Box With Velvet Inserts (ZJB-600BSC-Black / ZJB-800BSC-Black)

EUROFIT®

Installation Instruction

ZTR-800BSC/600BSC, ZJB-800BSC/600BSC
ZSR-800BSC/600BSC

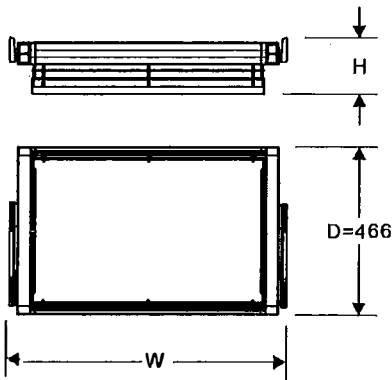
Accessories List



No.	Name	Qty
A	ZTR	800BSC: 10 600BSC: 6
	ZSR/ZJB	1
B	Left slide components	1
C	Right slide components	1
D	Pull out frame	2
E	Slide frame bottom cover	2
F	Plastic cover	4
G	Door plank connection panel	2
H	M4x8 screw	8
I	ST4x16 screw	16

Specifications

Width(W) adjustable, Depth(D)=466

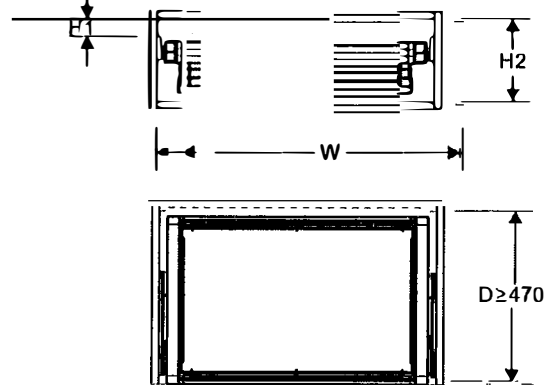


Model	Width(W)
	864 - 964
800	764 - 864
	664 - 764
600	564 - 664

Model	Height(H)
ZTR	75
ZJB	85
	200
	158
	158
ZSR	155

Installation requirements

Inner width(W) adjustable, Height(H1), recommendation inner height(H2), inner depth(D)>470

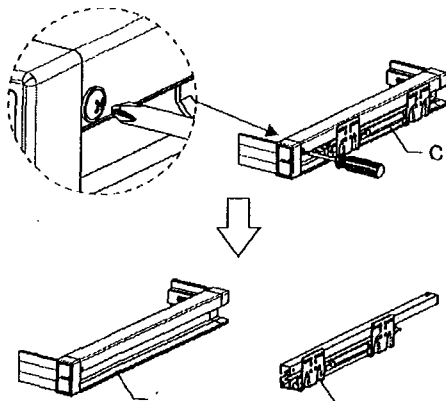


Model	Width(W)
	864 - 964
800	764 - 864
	664 - 764
600	564 - 664

Model	(H1)	(H2)
ZTR	≥ 50	≥ 700
ZJB		≥ 155
		≥ 270
		≥ 230
ZSR	≥ 100	≥ 275

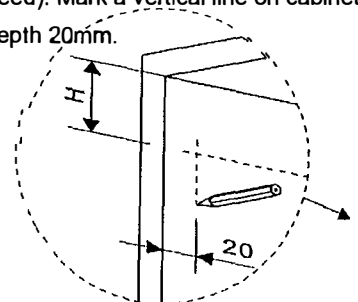
Step 1

Loose side screw of right slide components(C), separate slide frame and slides; Same step to release left slide components(B).



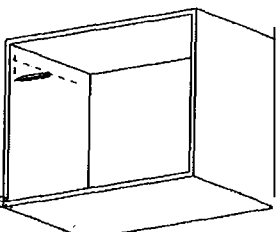
Step 2

Mark a line on cabinet left side, recommendation height >100(adjust the height according to you need). Mark a vertical line on cabinet depth 20mm.



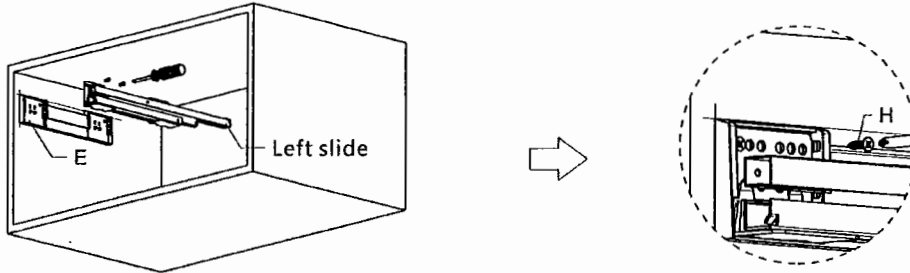
Model	Height(H)
ZTR	≥ 50
ZJB	
ZSR	≥ 100

Make same step on cabinet right side



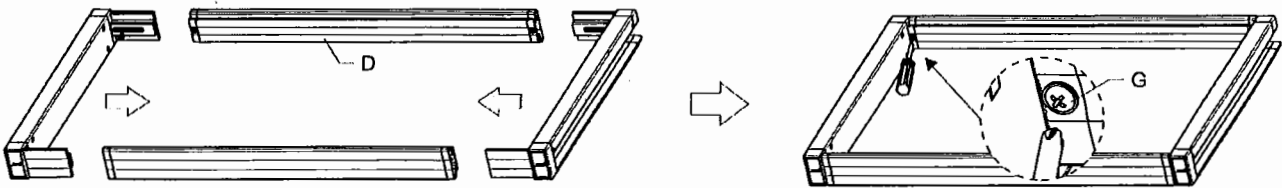
Step 3

Take slide frame bottom cover(E) fix on left slide and set it horizon level as the marked two lines(Step 1),put screw(H) to assembly on cabinet left side;use the same step to set up right slide.



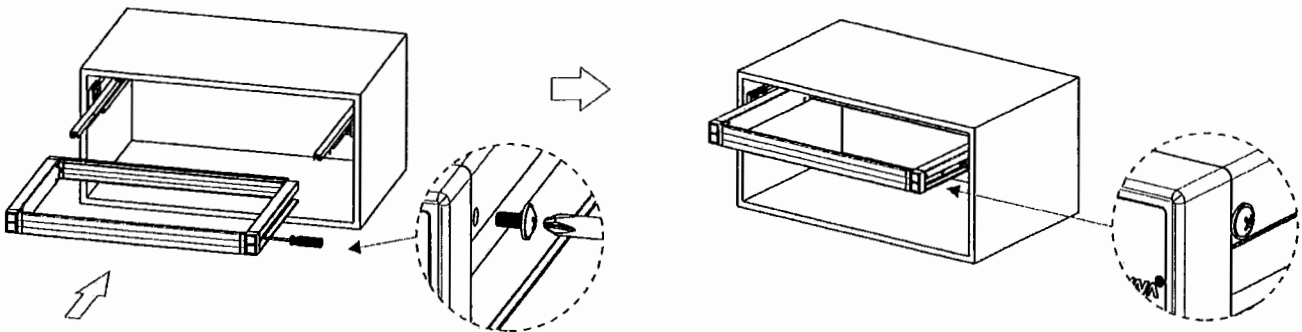
Step 4

Take left & right slide frame and pull out frame(D) to set up a whole frame,connected with screw(G) on four corner,loose the screws to make the frame width adjustable as your cabinet inner width.



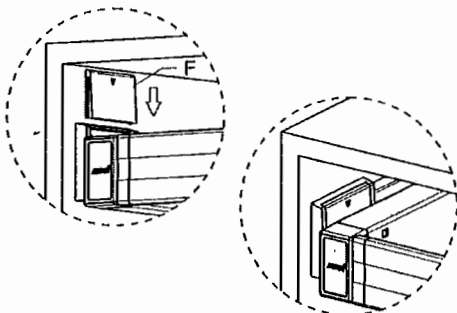
Step 5

Pull out left & right slides,adjust the width of frame,embole it into slides,put the screw to fix frame with slides.Pull & push the frame to make sure it works smoothly.



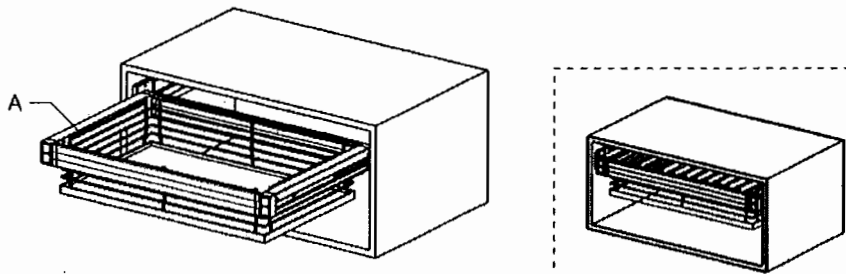
Step 6

Put on 4 plastic covers(F) on slide frame bottom cover(E).



Step 7

Put part (A) on frame, assembly done.



Installing door panel (optional step)

- 1: Open the upper and lower barbs of the slide decorative cover from the rear and push forward to remove the decorative cover;
- 2: Install the door panel connector (G) on the slide box with screws (H);
- 3: Use screws (I) to install the door panel on the slide box through the door panel connector (G), and the door panel installation is completed.

