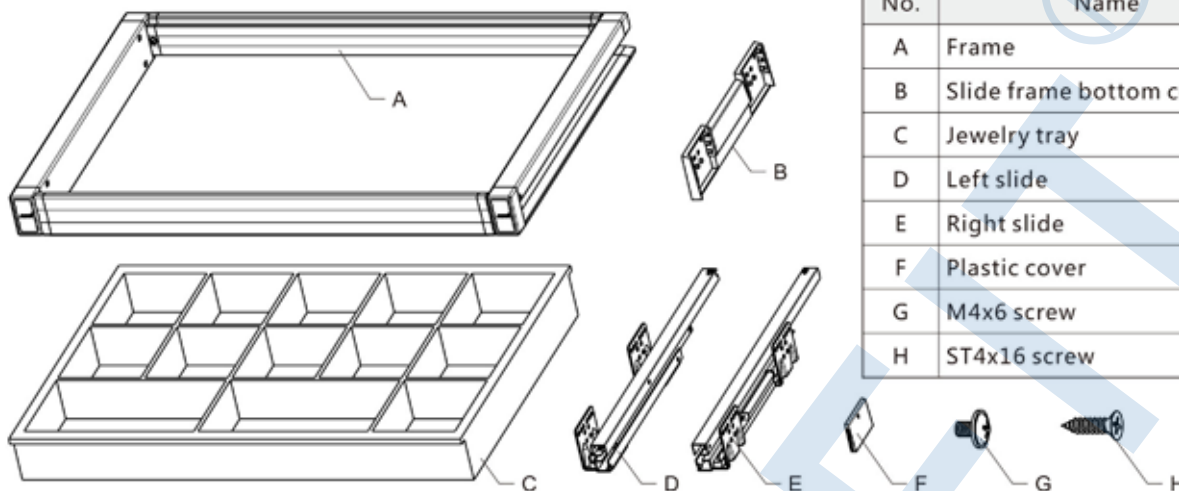


Storage Box With Velvet Inserts (ZJB-600BSC-B / ZJB-800BSC-B)

Accessories list

Please check the list before assembly.

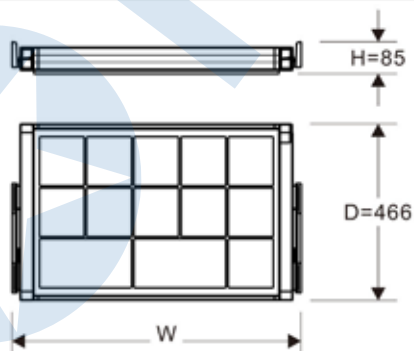


No.	Name	Qty
A	Frame	1
B	Slide frame bottom cover	2
C	Jewelry tray	1
D	Left slide	1
E	Right slide	1
F	Plastic cover	4
G	M4x6 screw	2
H	ST4x16 screw	12

Specifications

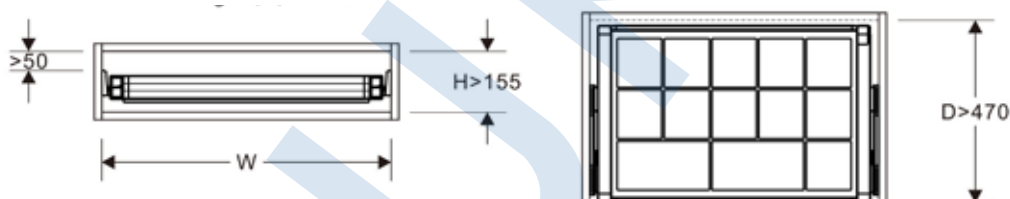
Width (W) adjustable, Depth (D) = 466, Height (H) = 85.

Model	Model
ZSB-800BSC	764 - 864
ZSB-600BSC	564 - 664



Installation requirements

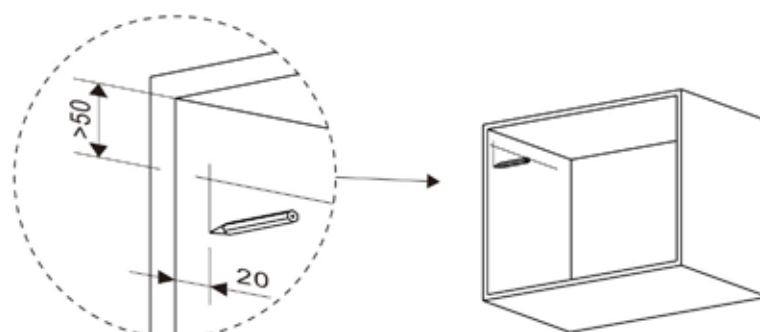
Cabinet specifications: inner width (W) adjustable, inner depth (D) > 470, according to you need to adjust the reasonable inner height, recommendation inner height (H) > 155.



Model	Model
ZSB-800BSC	764 - 864
ZSB-600BSC	564 - 664

Step 1

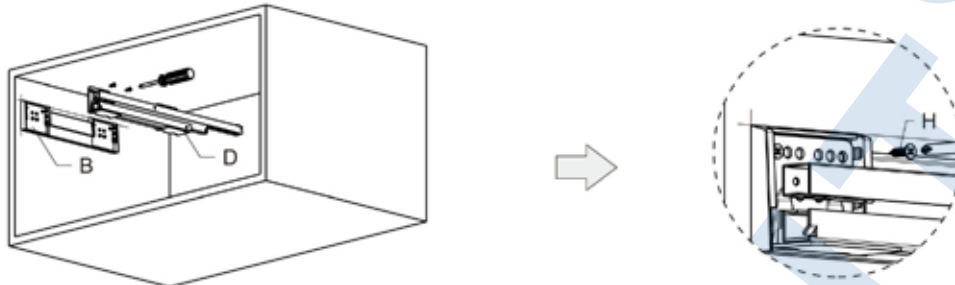
Mark a line on cabinet left side, recommendation height > 50 (adjust the height according to you need).
Mark a vertical line on cabinet depth 20mm.
Make same step on cabinet right side.



Storage Box With Velvet Inserts (ZSR-600BSC / ZSR-800BSC)

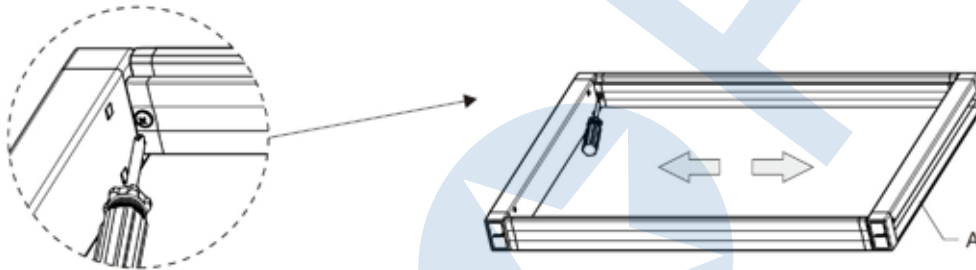
Step 2

Take slide frame bottom cover(B) fix on left slide(D) and set it horizon level as the marked two lines(Step 1),put screw(H) to assembly on cabinet left side;use the same step to set up right slide(E).



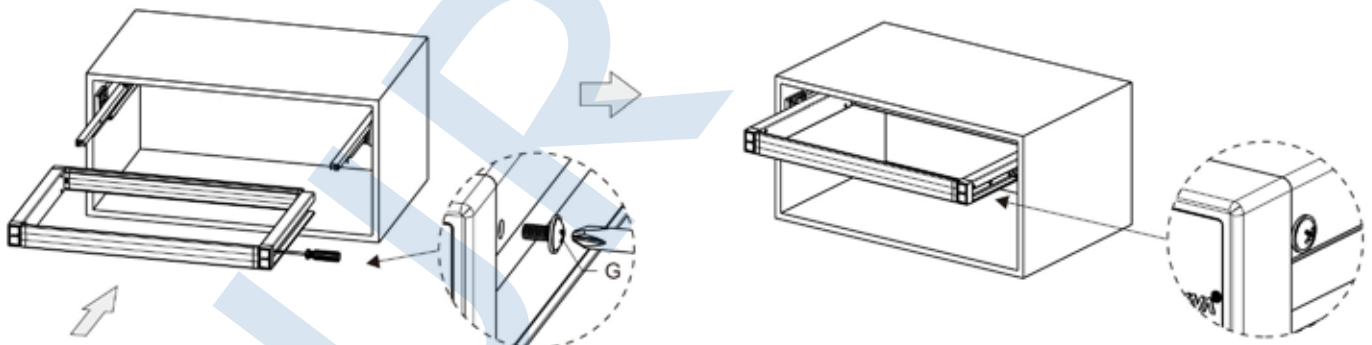
Step 3

Loose the screws on four corner on frame(A),to make the frame width adjustable.



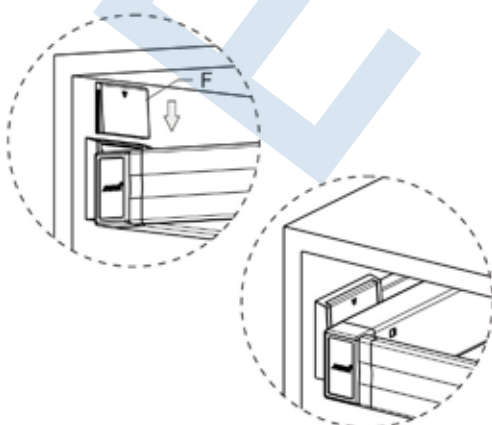
Step 4

Pull out left & right slides,adjust the width of frame(A),embode frame(A) into slides,put screw(G) to fix frame with slides.Pull & push the frame to make sure it works smoothly.



Step 5

Put on 4 plastic covers(F) on slide frame bottom cover(B).



Step 6

Put Jewelry tray(C) on frame(A),assembly completed.

