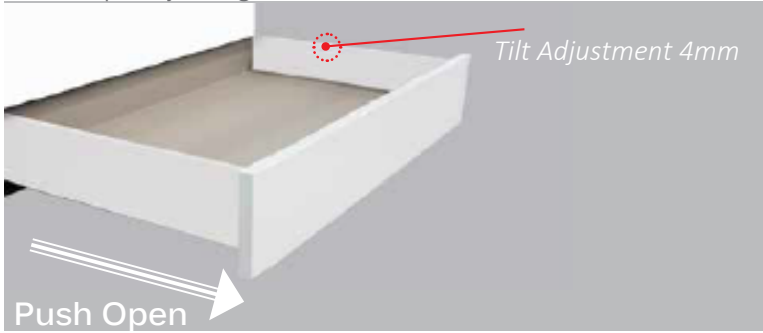
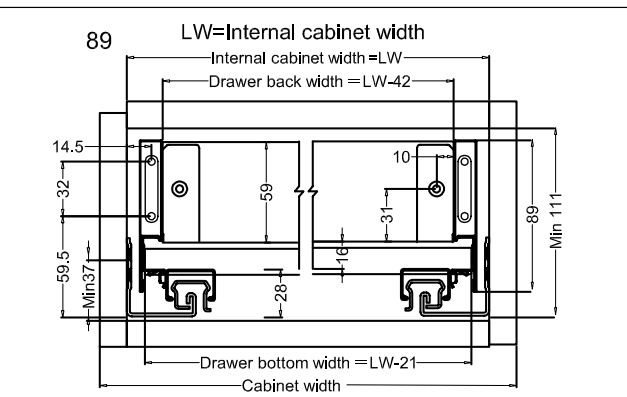
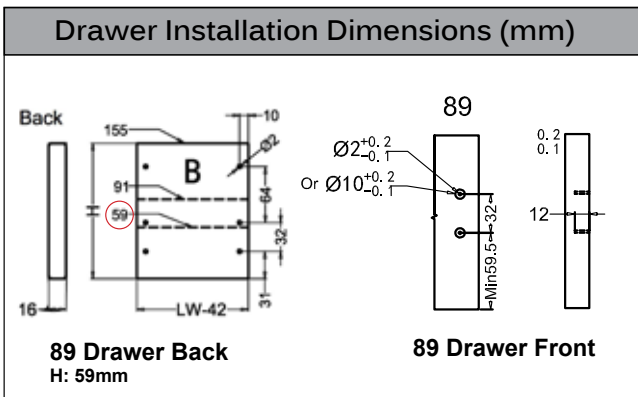


Load Capacity: 35kg Colour: White

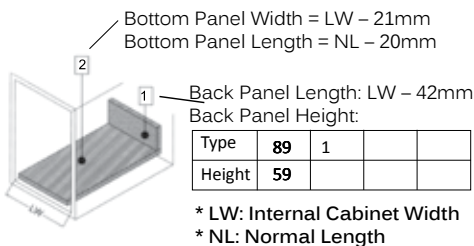
Vero Slim Drawer Set- Push Open
89mm Height, White



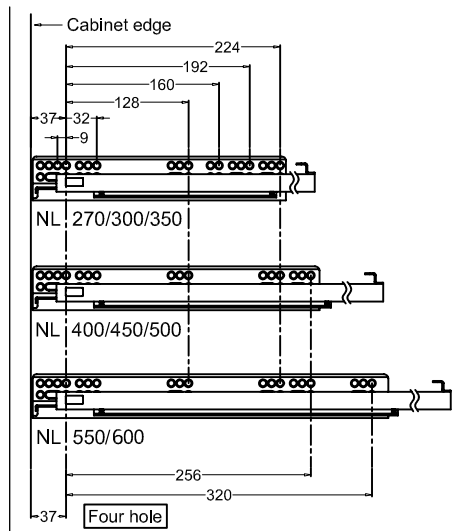
Item No.	Height	Drawer Length
SC-801(PO)-400M	89	400
SC-801(PO)-450M	89	450
SC-801(PO)-500M	89	500



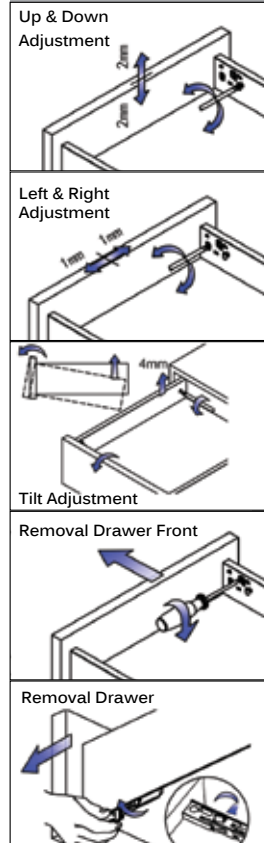
Drawer Back & Bottom Dimensions



Screw Positions Of The Sides



Drawer Adjustment



- Soft Closing or Push Open
- 13mm Ultra Slim Drawer Sides
- 6-Way Adjustment Include Tilt Adjustment 4mm
- Specs on Cabmaster & Cabinet Vision
- 4 Heights Available
- Load Capacity: 35kg

Alternative Cut Out



Bottom Cut Out Diagram

- Bottom Panel NL-10mm.
- Cut out as marked above
- Fit bottom with cut outs to the back
- No brackets needed for back only screw fix.



89mm Marking Jig



121mm Marking Jig



185mm Marking Jig

Sign Up to check prices & order online