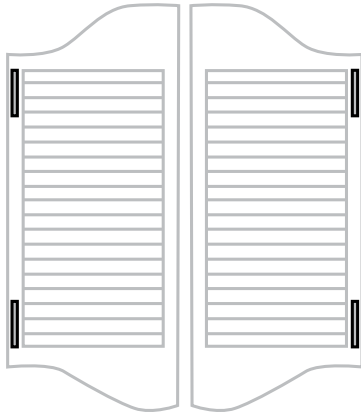


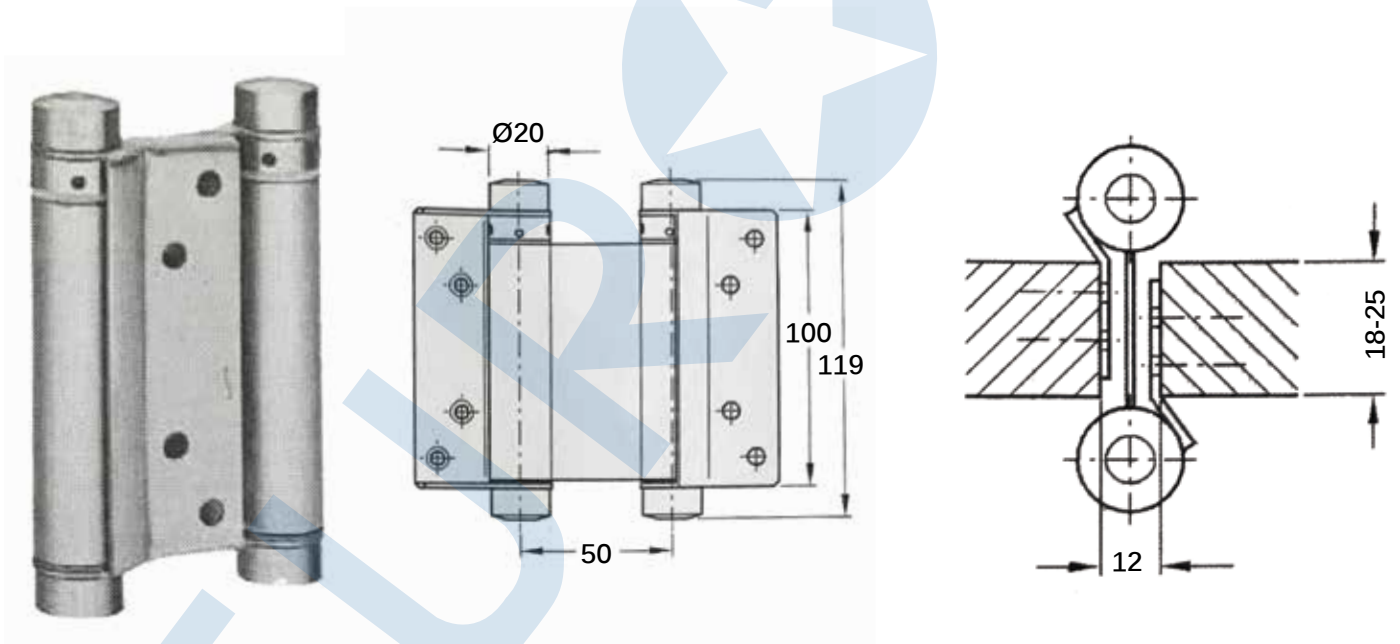
# Spring Hinge (Double Action)

FH-3300 / FH-3301



For Bar Doors Or  
Restaurant Kitchen Doors.  
(Suitable for doors up to 25mm thick  
and 20kg maximum weight.)

These hinges have an in-built spring which forces the door or gate to return to the original position after opening. Spring hinges are available in single or double action, with the double action type being suitable where a 180 degree opening action is required, for example bar doors, restaurant kitchen doors etc.



- > Features: For flush timber frames 180° swing action on both sides.
- > Handing: Non-handed
- > Max. Door Weight: 22kg
- > Max. Door Thickness: 18-25mm
- > Max. Door Height: 1,900mm
- > Max. Door Width: 700mm
- > Knuckle: Ø20mm
- > Fixing: Screws