

Locks & Toilet Partitions

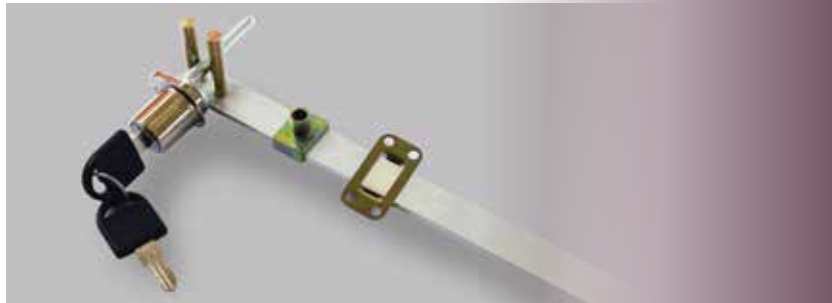
Locks

Drawer Locks.....	12-1
Cam Locks.....	12-2
Push Lock.....	12-3
Double Lock.....	12-4
Barrel Bolt Locks.....	12-4
Multi-Drawer Locking System.....	12-5



Toilet Partitions

Hinges, Lock set, Hook and Roll Holder..	12-6
Supporting Feet.....	12-7
Top and Insert Channels.....	12-8



Drawer Locks





A. SQ-22



B. SQ-32



C. Strike Plate



D. Barrel (Cylinder + Key)



E. Master Key



F. Removal Key

SEQ No.	Item No.	Description	Carton Qty
A	LOCK-SQ22	Lock Housing For Wood Thickness: 16~20mm	20
B	LOCK-SQ32	Lock Housing For Wood Thickness: 24~30mm	20
C	LOCK-S-PLATE	Strike Plate	20
D	LOCK-BARREL-NO1	Barrel (Cylinder + Key No1)	20
D	LOCK-BARREL-NO2	Barrel (Cylinder + Key No2)	20
D	LOCK-BARREL-NO3	Barrel (Cylinder + Key No3)	20
D	LOCK-BARREL-NO4	Barrel (Cylinder + Key No4)	20
D	LOCK-BARREL-NO5	Barrel (Cylinder + Key No5)	20
D	LOCK-BARREL-Difference	Barrel (Cylinder + Key Difference)	20
E	LOCK-Master Key	Universal Master Key	20
F	LOCK-Removal Key	Universal Removal Key	20

Order Recommendation

1 x A or B Lock

(Housing + Rosette)

1 x C Striker Plate

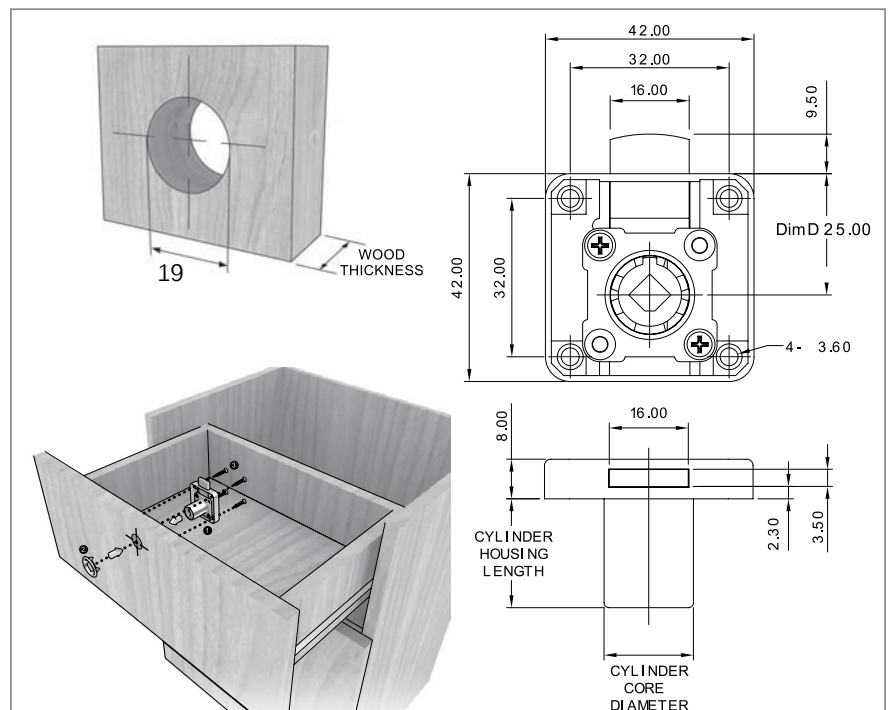
1 x D Barrel (Cylinder + Key)

***Key Alike**

(Select From Barrel No1~No5)

***Key Difference**

(Up To 55 Different Keys)

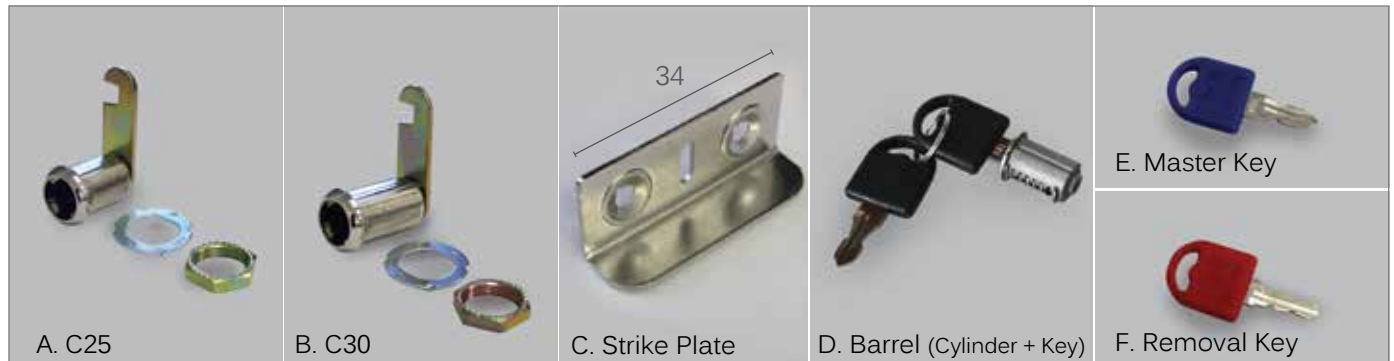


Sign Up to check prices & order online

www.eurofit.com.au



Cam Locks

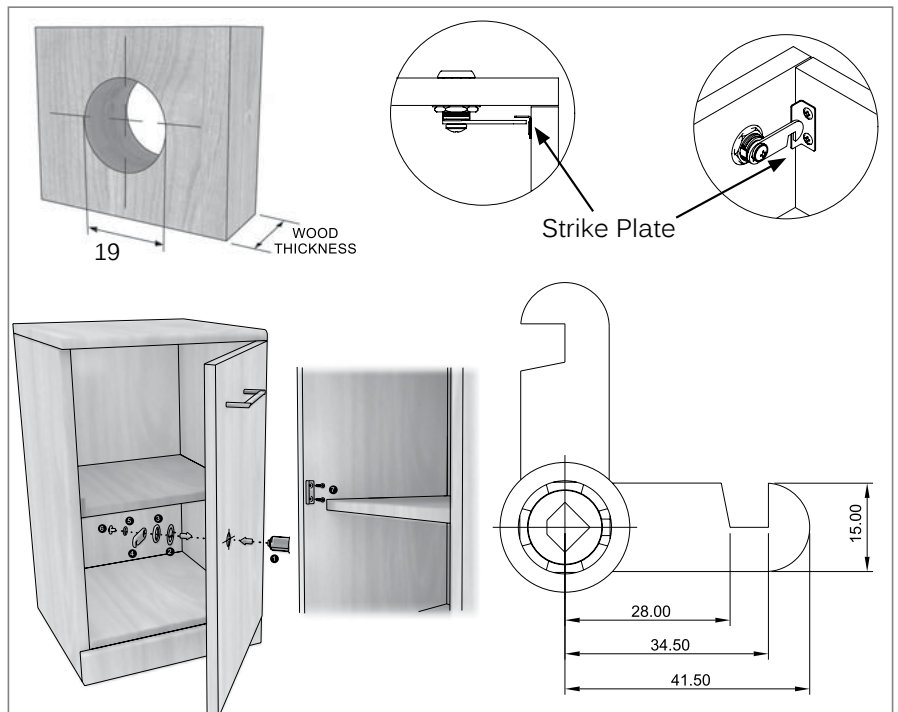


SEQ No.	Item No.	Description	Carton Qty
A	LOCK-C25	Lock Housing For Wood Thickness: 18~23mm	20
B	LOCK-C30	Lock Housing For Wood Thickness: 23~28mm	20
C	LOCK-S-PLATE	Strike Plate	20
D	LOCK-BARREL-NO1	Barrel (Cylinder + Key No1)	20
D	LOCK-BARREL-NO2	Barrel (Cylinder + Key No2)	20
D	LOCK-BARREL-NO3	Barrel (Cylinder + Key No3)	20
D	LOCK-BARREL-NO4	Barrel (Cylinder + Key No4)	20
D	LOCK-BARREL-NO5	Barrel (Cylinder + Key No5)	20
D	LOCK-BARREL-Difference	Barrel (Cylinder + Key Difference)	20
E	LOCK-Master Key	Universal Master Key	20
F	LOCK-Removal Key	Universal Removal Key	20

Order Recommendation
1 x A or B Lock Housing With Notched Cam
 (1x Washer + 1 x Locking Nut)

1 x C Striker Plate
1 x D Barrel (Cylinder + Key)

***Key Alike**
 (Select From Barrel No1~No5)
***Key Difference**
 (Up To 55 Different Keys)





Push Lock (Sliding Door)



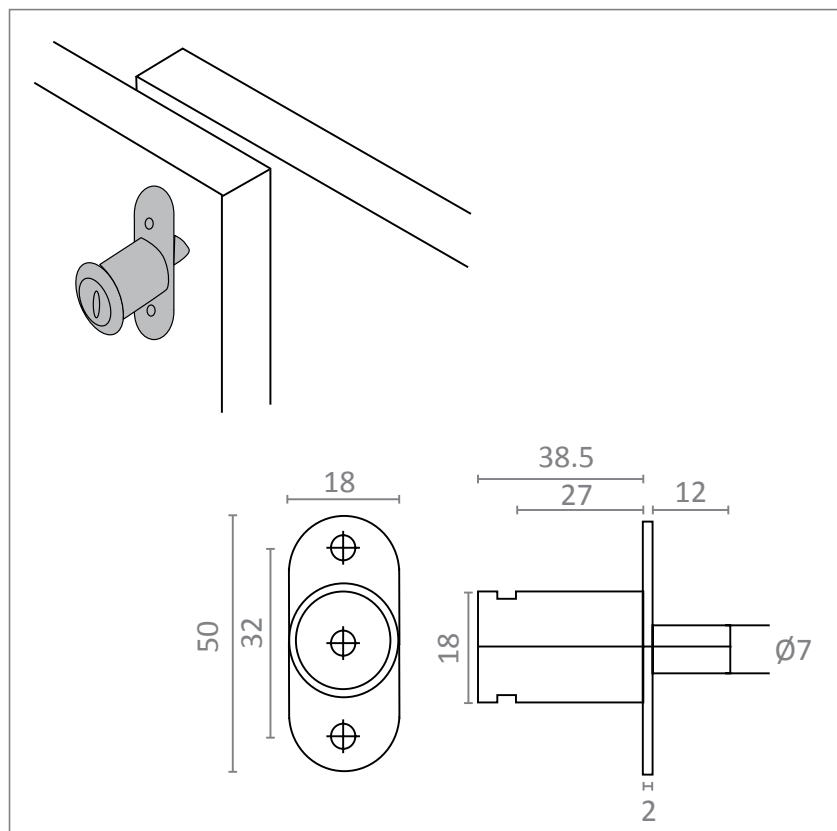
SEQ No.	Item No.	Description	Carton Qty
A	LOCK-PUSH	Push Lock Housing	20
D	LOCK-BARREL-NO1	Barrel (Cylinder + Key No1)	20
D	LOCK-BARREL-NO2	Barrel (Cylinder + Key No2)	20
D	LOCK-BARREL-NO3	Barrel (Cylinder + Key No3)	20
D	LOCK-BARREL-NO4	Barrel (Cylinder + Key No4)	20
D	LOCK-BARREL-NO5	Barrel (Cylinder + Key No5)	20
D	LOCK-BARREL-Difference	Barrel (Cylinder + Key Difference)	20
E	LOCK-Master Key	Universal Master Key	20
F	LOCK-Removal Key	Universal Removal Key	20

Order Recommendation

- 1 x A Lock Housing
- 1 x D Barrel (Cylinder + Key)

***Key Alike**
(Select From Barrel No1~No5)

***Key Difference**
(Up To 55 Different Keys)

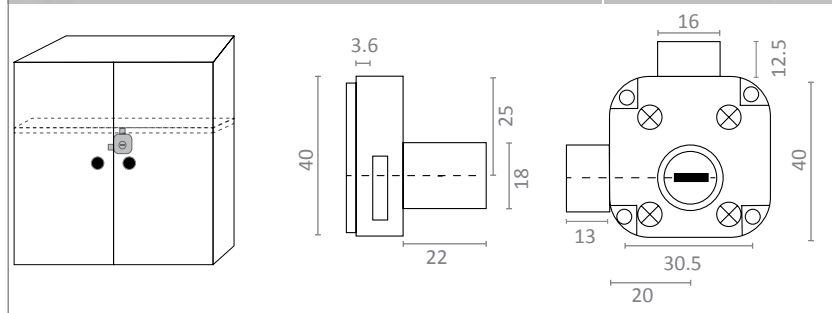
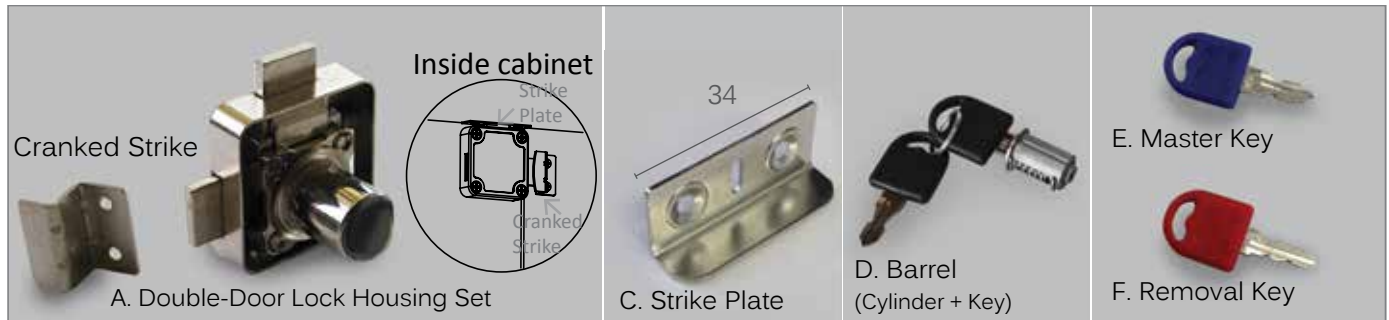


Sign Up to check prices & order online



Double-Door Lock

**Key Alike (Select From Barrel No1-No5)*
**Key Difference (Up To 55 Different Keys)*



Order Recommendation

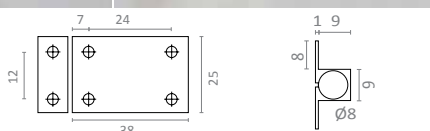
- 1 x A Lock Housing Set**
(1x Lock Housing + Rosette
1 x Cranked Strike
2 x Mounting Screws)
- 1 x C Striker Plate**
- 1 x D Barrel (Cylinder + Key)**

SEQ No.	Item No.	Description	Carton Qty
A	LOCK-Double Door	Lock Housing Set	20
C	LOCK-S-PLATE	Strike Plate	20
D	LOCK-BARREL-NO1	Barrel (Cylinder + Key No1)	20
D	LOCK-BARREL-NO2	Barrel (Cylinder + Key No2)	20
D	LOCK-BARREL-NO3	Barrel (Cylinder + Key No3)	20
D	LOCK-BARREL-NO4	Barrel (Cylinder + Key No4)	20
D	LOCK-BARREL-NO5	Barrel (Cylinder + Key No5)	20
D	LOCK-BARREL-Difference	Barrel (Cylinder + Key Different)	20
E	LOCK-BMB-Master Key	Universal Master Key	20
F	LOCK-BMB-Removal Key	Universal Removal Key	20

Barrel Bolts Locks



* Set Includes:
1 x Lock Set + Screws

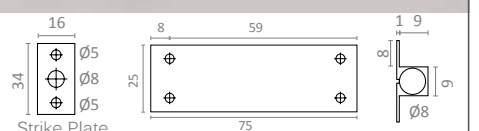


Item No.	Size	Finish	Carton Qty
Lock-Barrel Bolt 38	38	Chrome	50

Necked Barrel Bolt Lock Cranked



* Set Includes:
1 x Lock
1 x Strike Plate
+ Screws



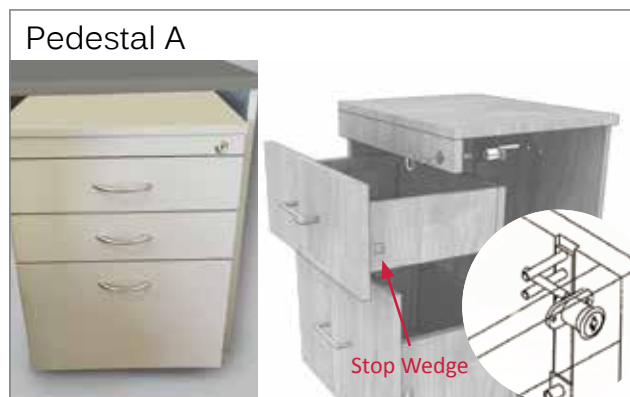
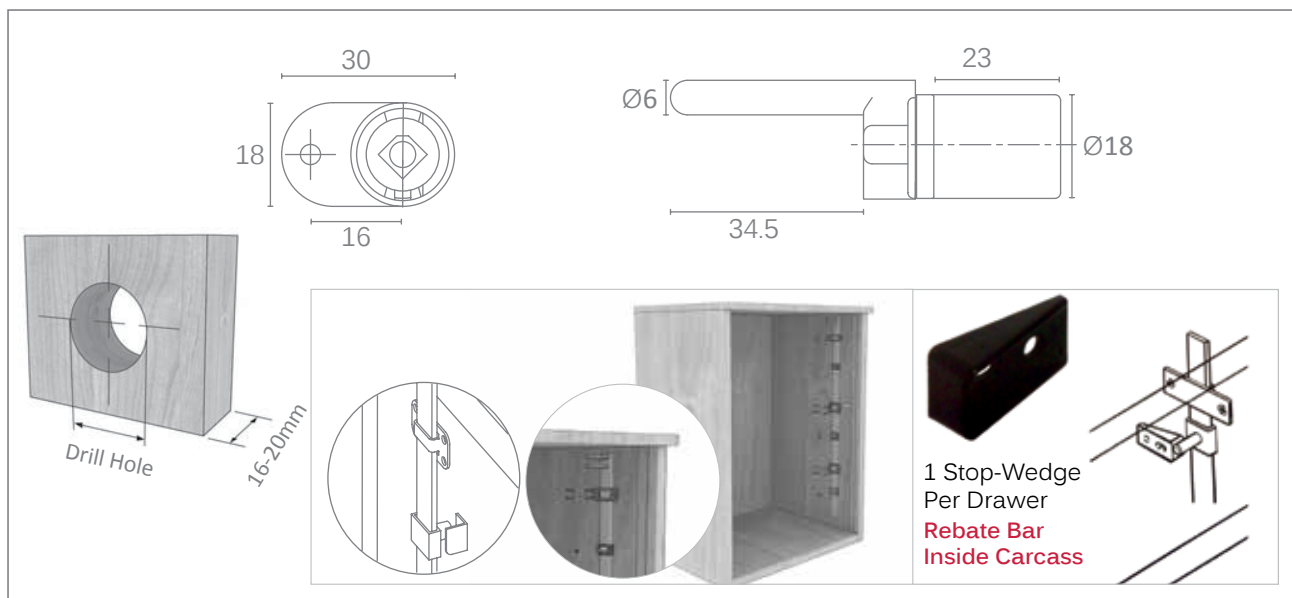
Item No.	Size	Finish	Carton Qty
Lock-Necked Bolt 75 CP	75	Chrome	50



Multi-Drawer Locking System



Item No.	Carton Qty
Lock-Multi Drawer	25
* Set Includes:	
1 x One-Wing Lock Housing	
1 x 600mm Front Bar	
1 x Lock Accessories	
3 x Arresting Pins + Screws	
2 x Non-Recessed Guides	
1 x Stop-Wedge (1 wedge per drawer)	
1 x Barrel (Cylinder + Key)	



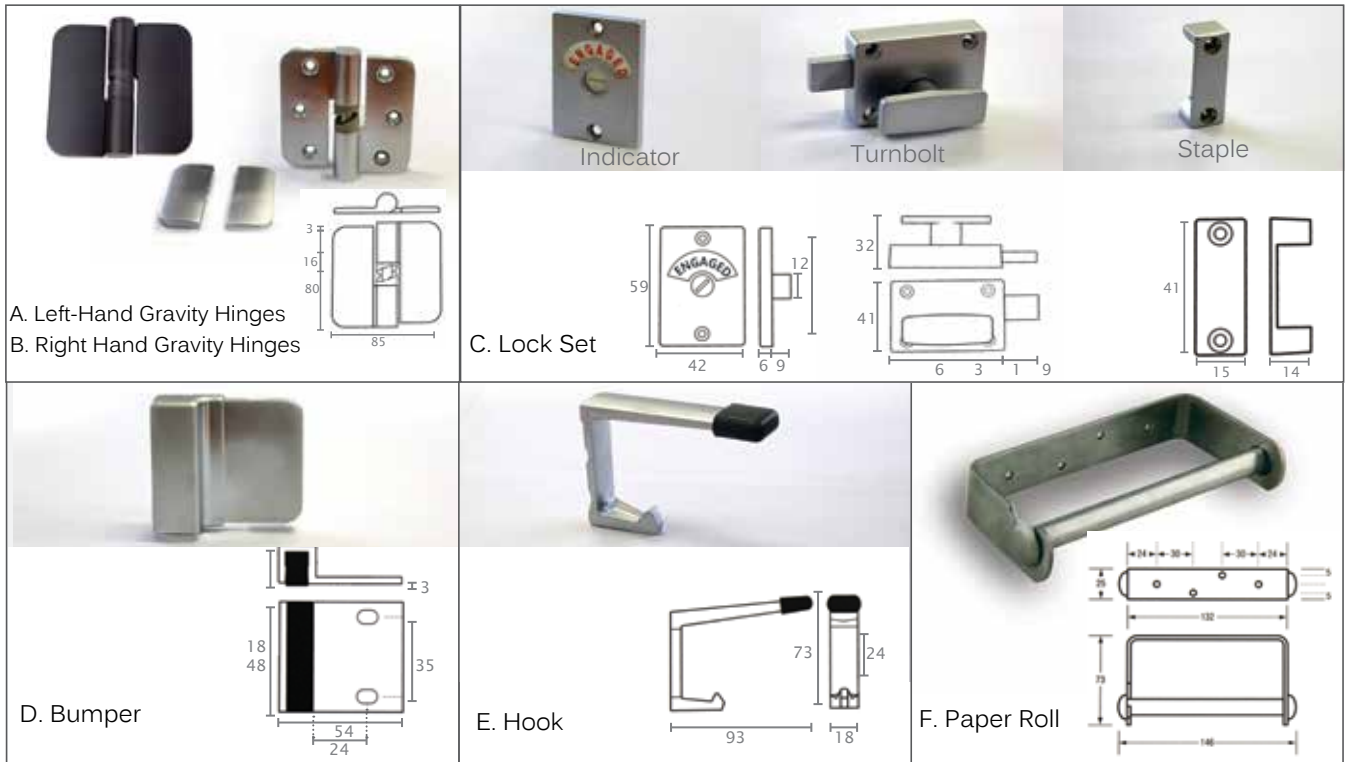
Sign Up to check prices & order online

www.eurofit.com.au

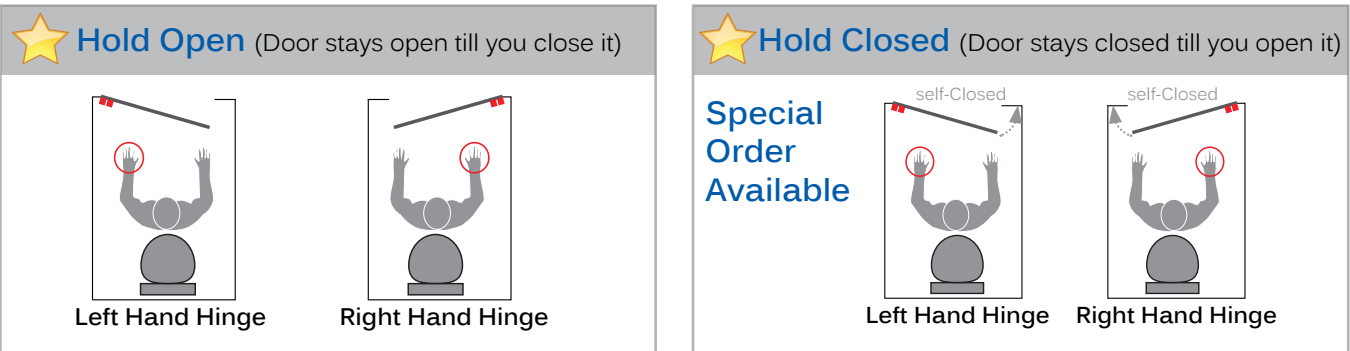
12-5

T: 03 8353 2545

Toilet / Shower Partition Accessories



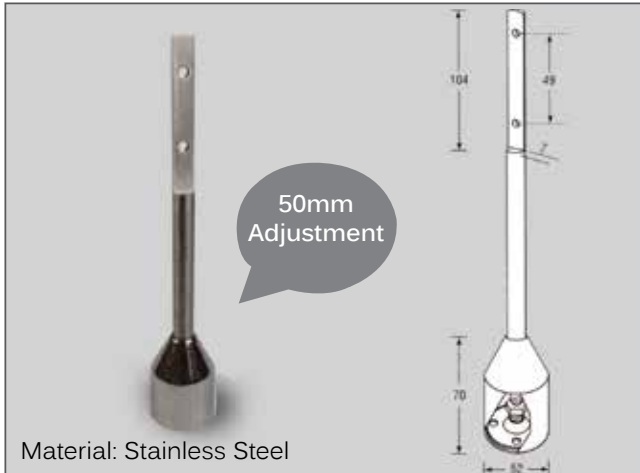
Order Recommendation: Left Hand Set (A+C+D+E+F)/ Right Hand Set (B+C+D+E+F)



SEQ No.	Item No.	Description
A	TPL-Hinge(HO)-L-SCP	Gravity Hinge hold-open, Left, Satin Chrome
B	TPL-Hinge(HO)-R-SCP	Gravity Hinge hold-open , Right, Satin Chrome
A	TPL-Hinge(HC)-L-SCP	Gravity Hinge hold-close, Left, Satin Chrome
B	TPL-Hinge(HC)-R-SCP	Gravity Hinge hold-close, Right, Satin Chrome
C	TPL-Lock Set	1 x Lock Set (Indicator + Turnbolt + Staple)
D	TPL-Bumper	Bumper (Concealed)
E	TPL-Hook	Hook
F	TPL-Roll Holder	Paper Roll Holder
-	TPL-Hinge-106C-L-MB	Spring Hinge, Left, Matt Black (Special Order Available)
-	TPL-Hinge-160C-R-MB	Spring Hinge, Right, Matt Black (Special Order Available)

Toilet / Shower Partition Accessories

Rebated Shaft Foot



Material: Stainless Steel

Item No.	Height	Finish	Carton Qty
TPL-110-150	125~175	S/N	8
TPL-110-200	175~225	S/N	8
TPL-110-250	225~275	S/N	8

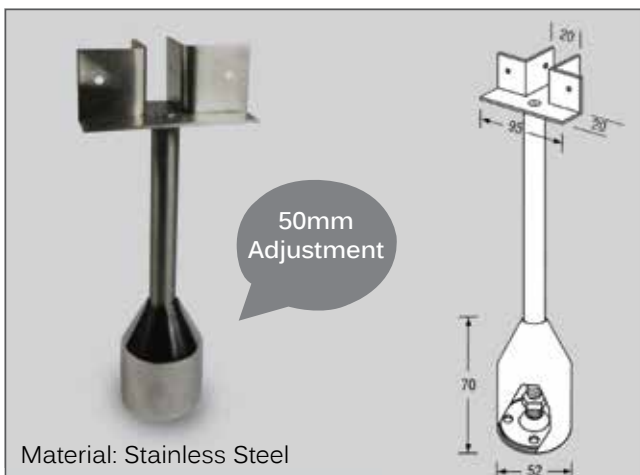
Single Fix Foot



Material: Stainless Steel

Item No.	Height	Finish	Carton Qty
TPL-112-150	125~175	S/N	8
TPL-112-200	175~225	S/N	8
TPL-112-250	225~275	S/N	8

T Piece Foot



Material: Stainless Steel

Item No.	Height	Finish	Carton Qty
TPL-122-150	125~175	S/N	8
TPL-122-200	175~225	S/N	8
TPL-122-250	225~275	S/N	8

Double Fix Foot



Material: Stainless Steel

Item No.	Height	Finish	Carton Qty
TPL-111-150	125~175	S/N	8
TPL-111-200	175~225	S/N	8
TPL-111-250	225~275	S/N	8

Sign Up to check prices & order online

www.eurofit.com.au

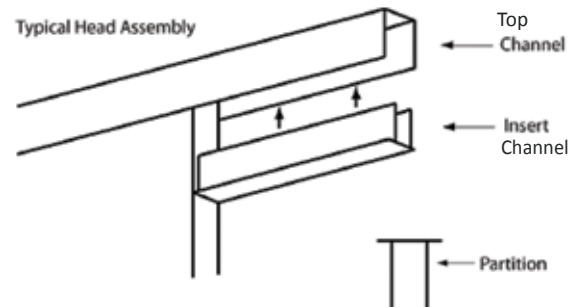
Toilet / Shower Partition Accessories

Heavy Duty Aluminium Leg

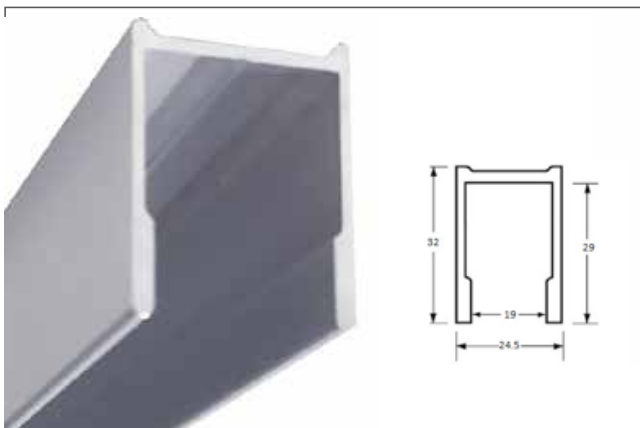


Item No.	Height	Finish	Carton Qty
TPL-120-165	165~200	Anodised	8
TPL-120-200	185~225	Anodised	8
TPL-120-165MB	165~200	Anodised	8

• Material: Aluminium Leg, Nylon Base



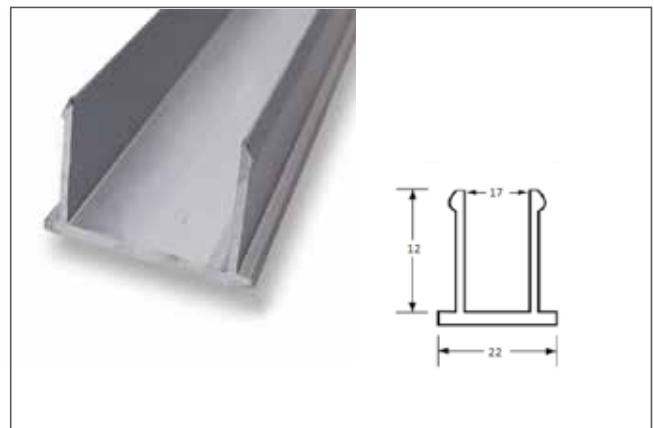
Top Channel



Material: Aluminium

Item No.	Length	Finish	Carton Qty
TPL-Top18-1800	1,800	Anodised Silver	8
TPL-Top18-3000	3,000	Anodised Silver	8

Insert Channel



Material: Aluminium

Item No.	Length	Finish	Carton Qty
TPL-Insert18-2700	2,700	Anodised Silver	8