
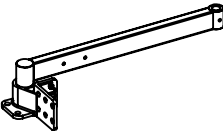
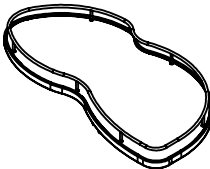

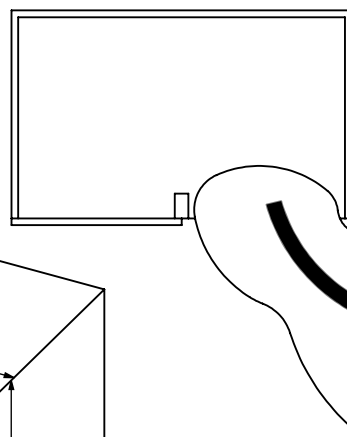
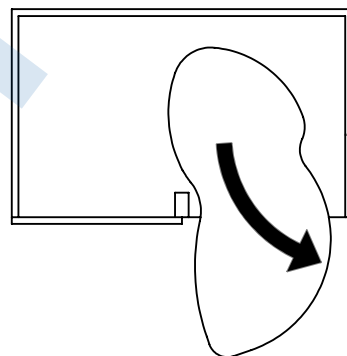
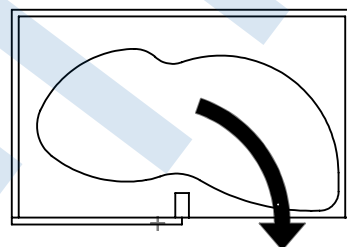
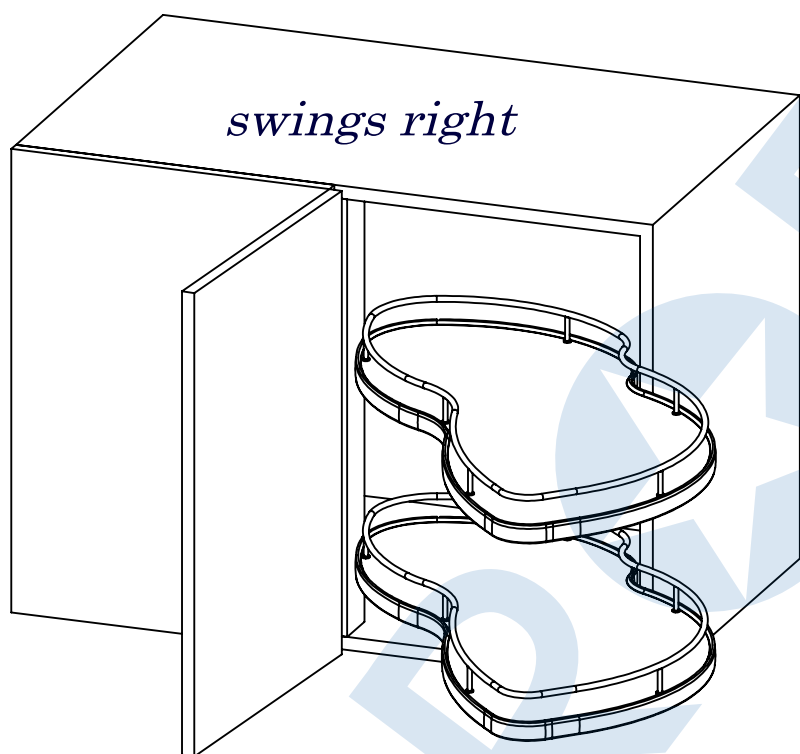


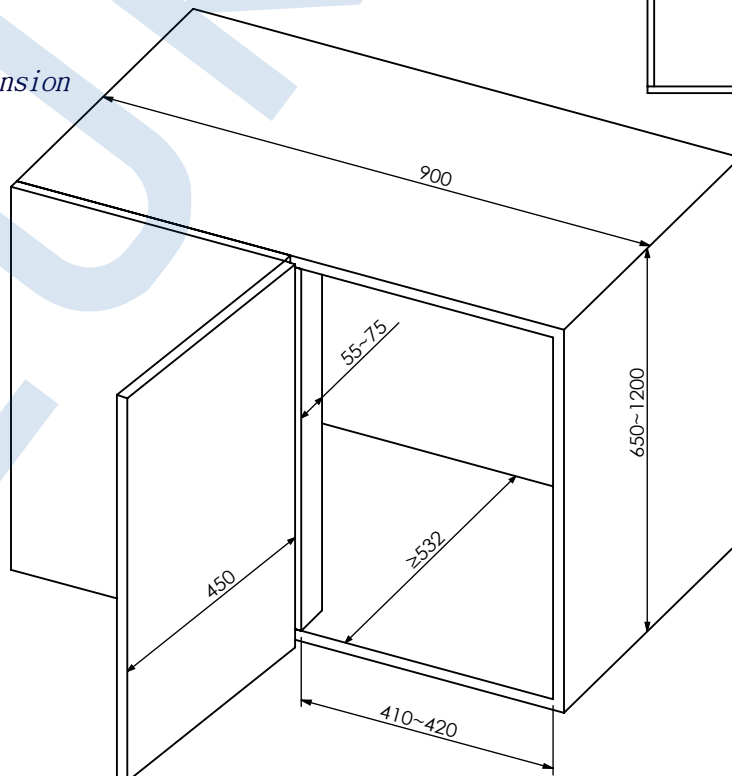
Blind Corner Solution (WMC-002R) With Revolving Trays (Right Hand Opening)

contents

A	B	C	D
external swivel arm	internal swivel arm	shelf	screw
			
2 pcs	2 pcs	2 pcs	30 pcs

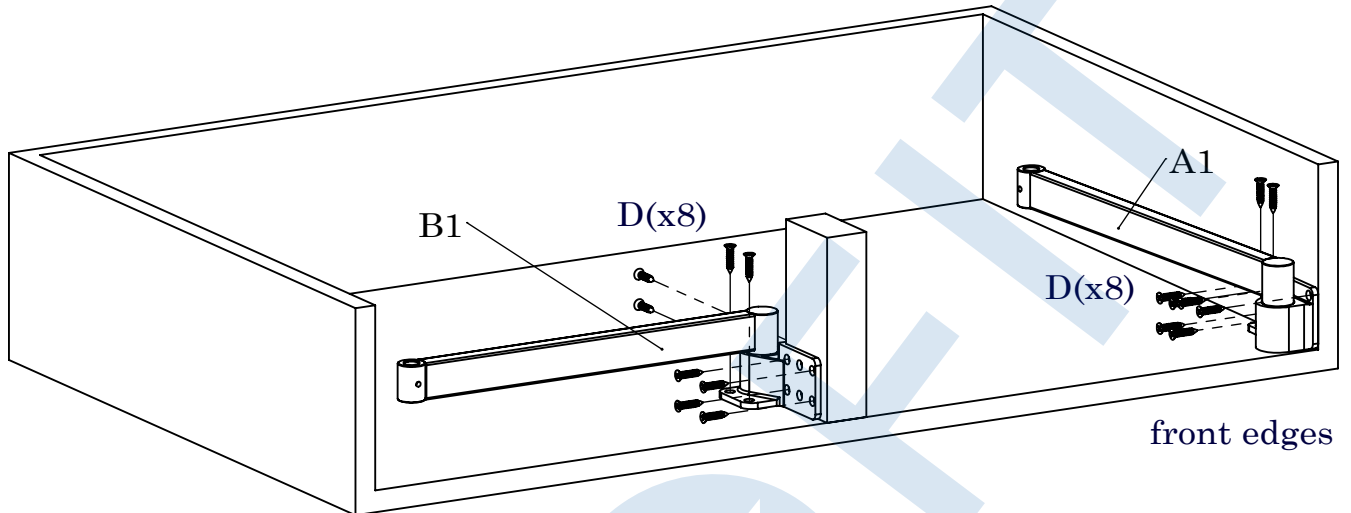


required carcass dimension
(mm)

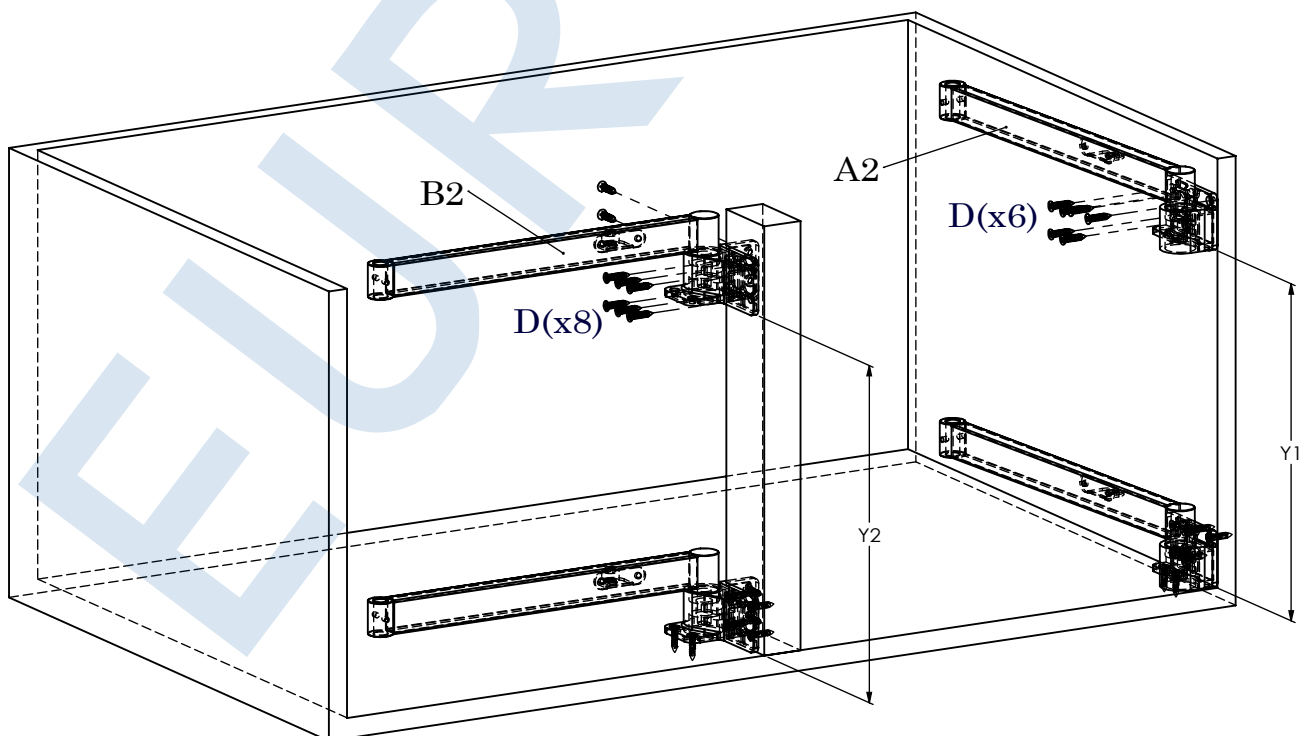


Blind Corner Solution (WMC-002R) With Revolving Trays (Right Hand Opening)

step 1: Install the Internal Swing Arm (B1) and External Swing Arm (A1) on bottom board with Screw (D).
Align the External Swing Arm (A1) with cabinet's front edges.



step 2: Install Internal Swing Arm (B2) and External Swing Arm (A2) with Screw (D). Align External Swing Arm (A2) with side board edges.



min. required height (Y1=Y2): 300mm

Blind Corner Solution (WMC-002R) With Revolving Trays (Right Hand Opening)

- step 3:
- Insert Shelves (C) into the Swing Arm, refer to drawing (1) and (2)
 - Must tighten screw to avoid shelves being lost, refer to drawing (3)
 - Installation finished

