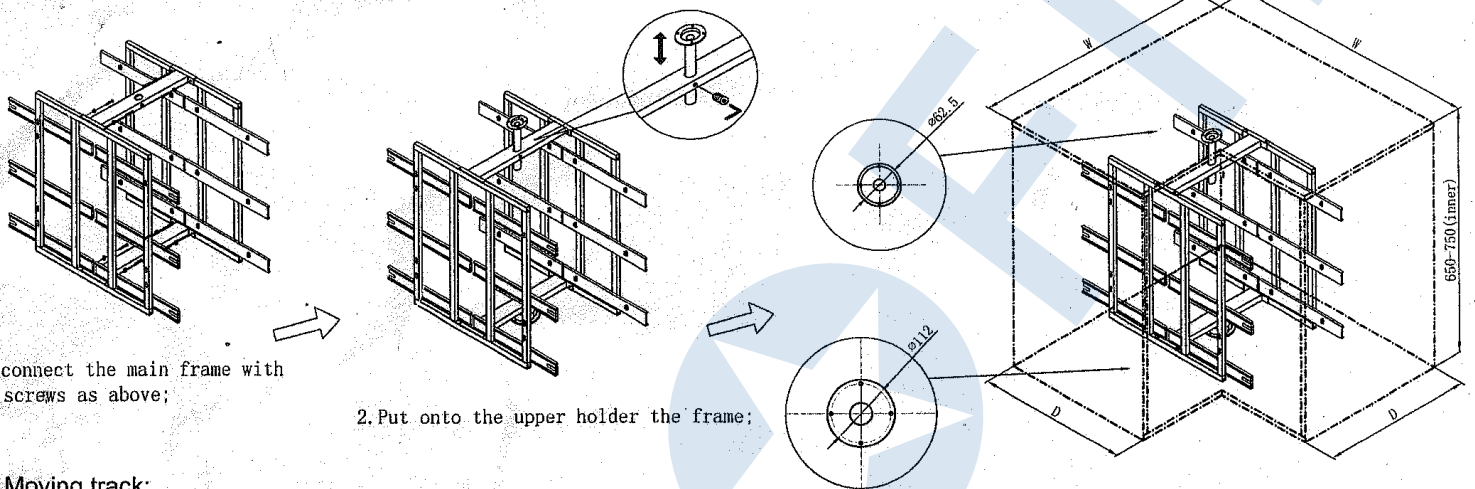


# Corner Cupboard Solutions (WLS-243) Pull Out Lazy Susan

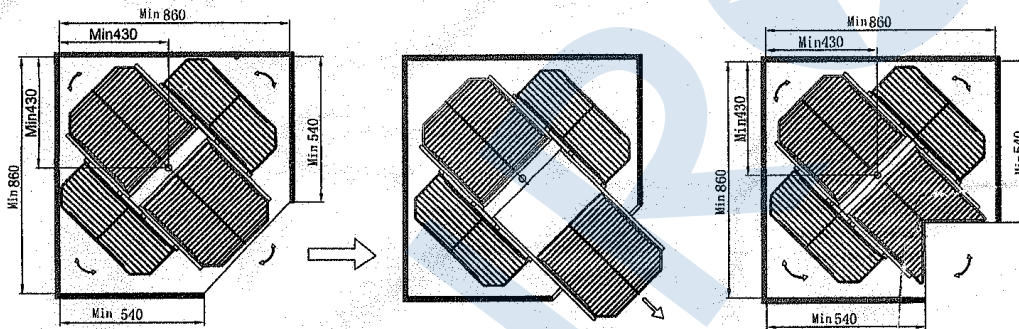


1. connect the main frame with screws as above;

2. Put onto the upper holder the frame;

3. Fix the main frame into the cabinet, and fasten them with screws. Then put on the basket to complete installation.

### Moving track:



Please read this instruction and examine all the accessories before installation. Please contact us for any question.

No.	Description	Spec.	Quantity	Remarks
1	main frame		1 set	
2	full-extension	12"	6 sets	
3	big basket		6 Pcs	
4	small basket		4 pcs	
5	hide-cap bolt	M3, 8X14	8 Pcs	
6	bolt	M6X16	8 Pcs	
7	spacer	M6	8 Pcs	
8	screw	M6X16	1 Pcs	adjustor screw
9	hexagon-screw	M5	1 Pcs	
10	hexagon-screw	M3	1 Pcs	