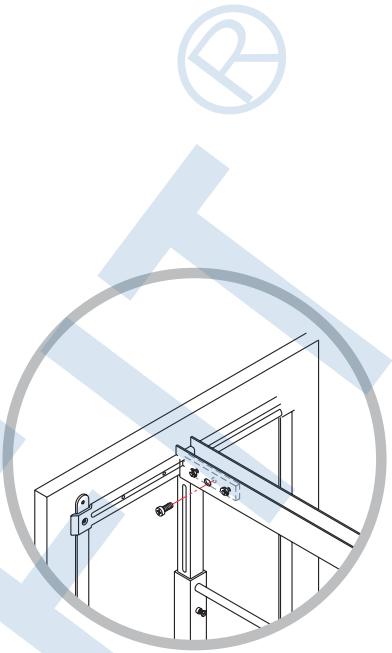


Soft Closing Pull Out Pantry (WPP6) 6 Baskets

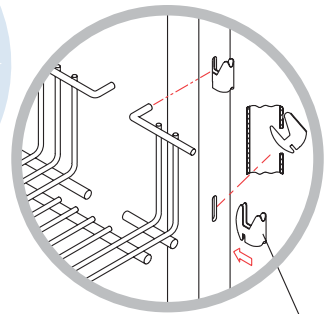


Soft Closing

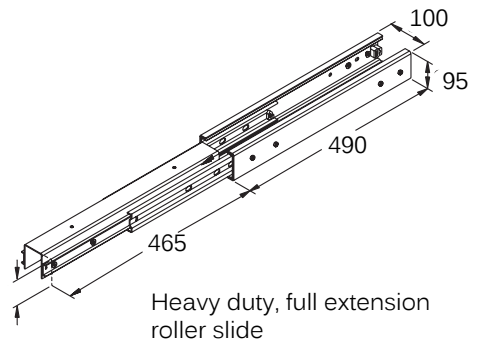


Adjustable Top and Bottom

★ Frames for reinforcing the door

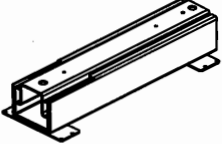
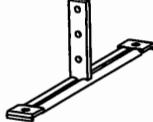

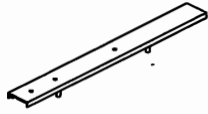
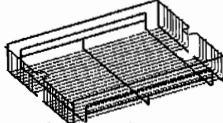

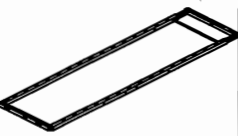


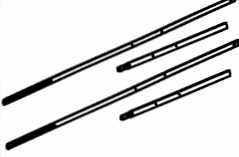




Basket Hanger Clip



Heavy duty, full extension roller slide

Soft Closing Pull Out Pantry (WPP6) 6 Baskets

Name	Type	Q'ty	Name	Type	Q'ty	Name	Type	Q'ty
A Bottom Runner		1 pcs	E T-bar		2 pcs	I Adjusted screw M8X25		2 pcs
B Upper Slide		1 pcs	F Basket		5 pcs	J Fixed screw M6X20		2 pcs
C Frame		1 pcs	G Back clip		14 pcs	K Fixed screw M6X12		1 pcs
D Door Frame		1 pcs	H Allen key		1 pcs	L Fixed screw M6X20		1 pcs

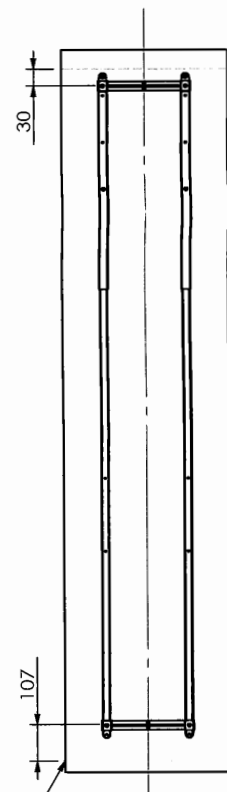
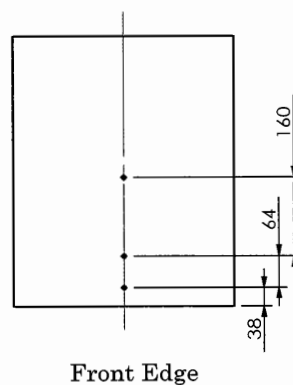
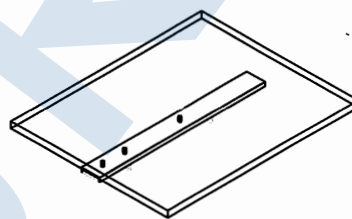
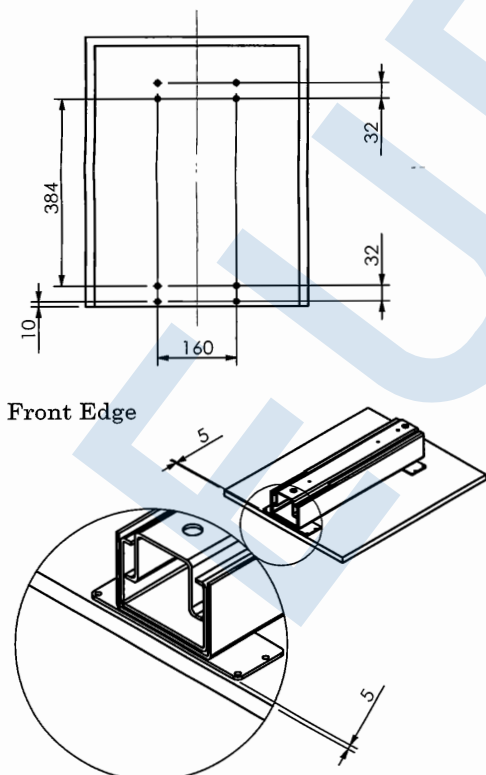
STEP 1 : Screw bottom runner on bottom panel .

STEP 2 : Screw top slide on top panel .

(Bottom panel)

(Top panel)

STEP 3 : Screw T-bar and Door frame on door panel .

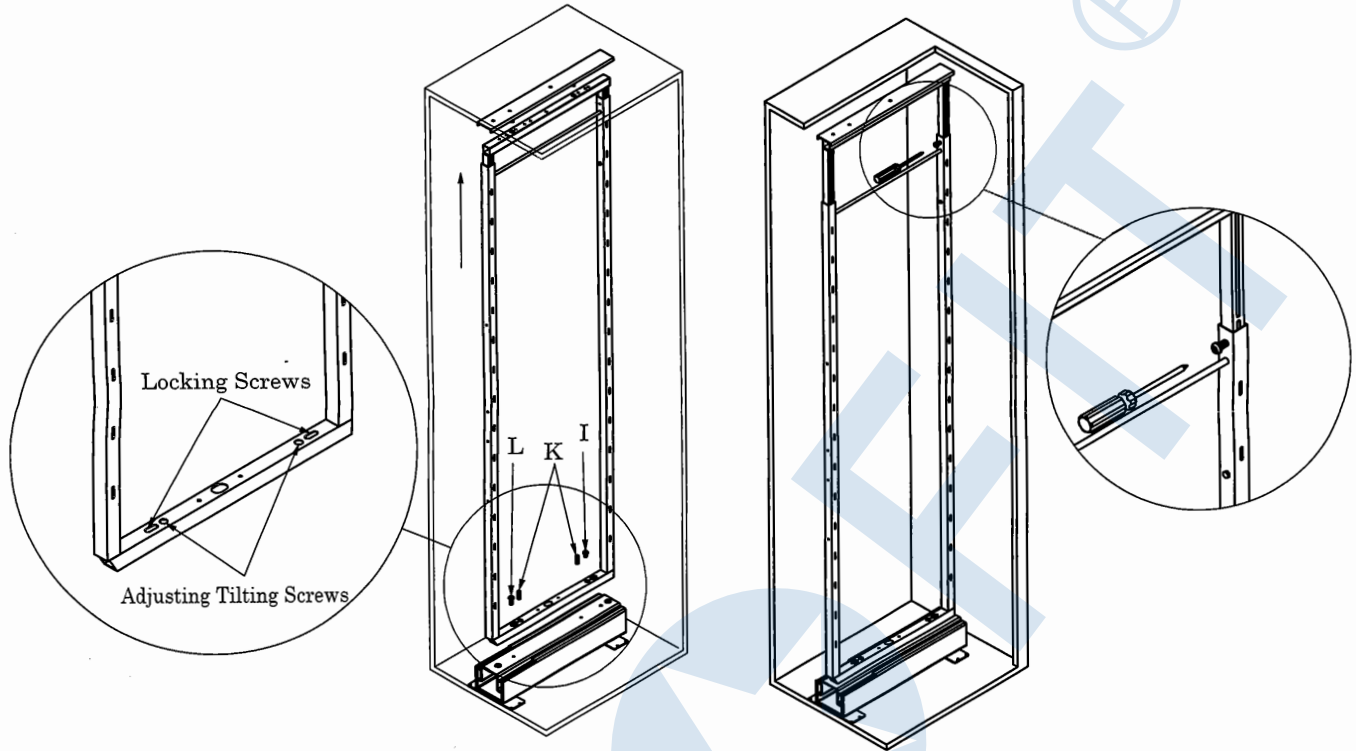


The thickness carcass panel

Soft Closing Pull Out Pantry (WPP6) 6 Baskets

Step 4 : Frame to be screwed on Runner

Step 5 : To adjust the pro-mounted unit in the cabinet.(K,L,I)



Step 6 : To combine Door bracket and frame

Step 7 : To adjust Door bracket screw

Step 8 : To insert the hanging plates

Step 9 : Hanging Clip-on Baskets on the plates

