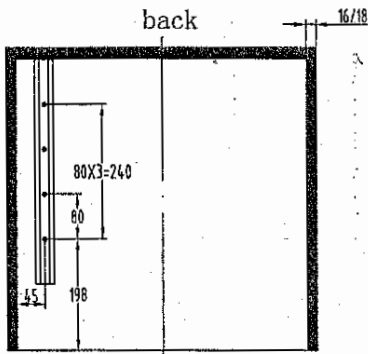


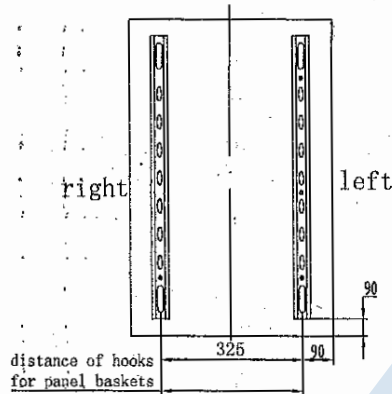
## Deluxe Larder Unit (WLU6-450) 6 Levels Left / Right Interchangeable

UNIT: mm

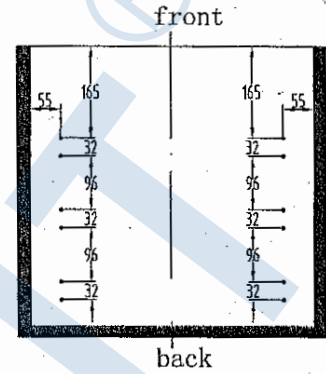
Cabinet height (inner): 1310-1410mm and 1900-2100mm. Cabinet depth (inner): min 510mm.  
Cabinet width (out): 450mm. (Main frame width: 364mm)



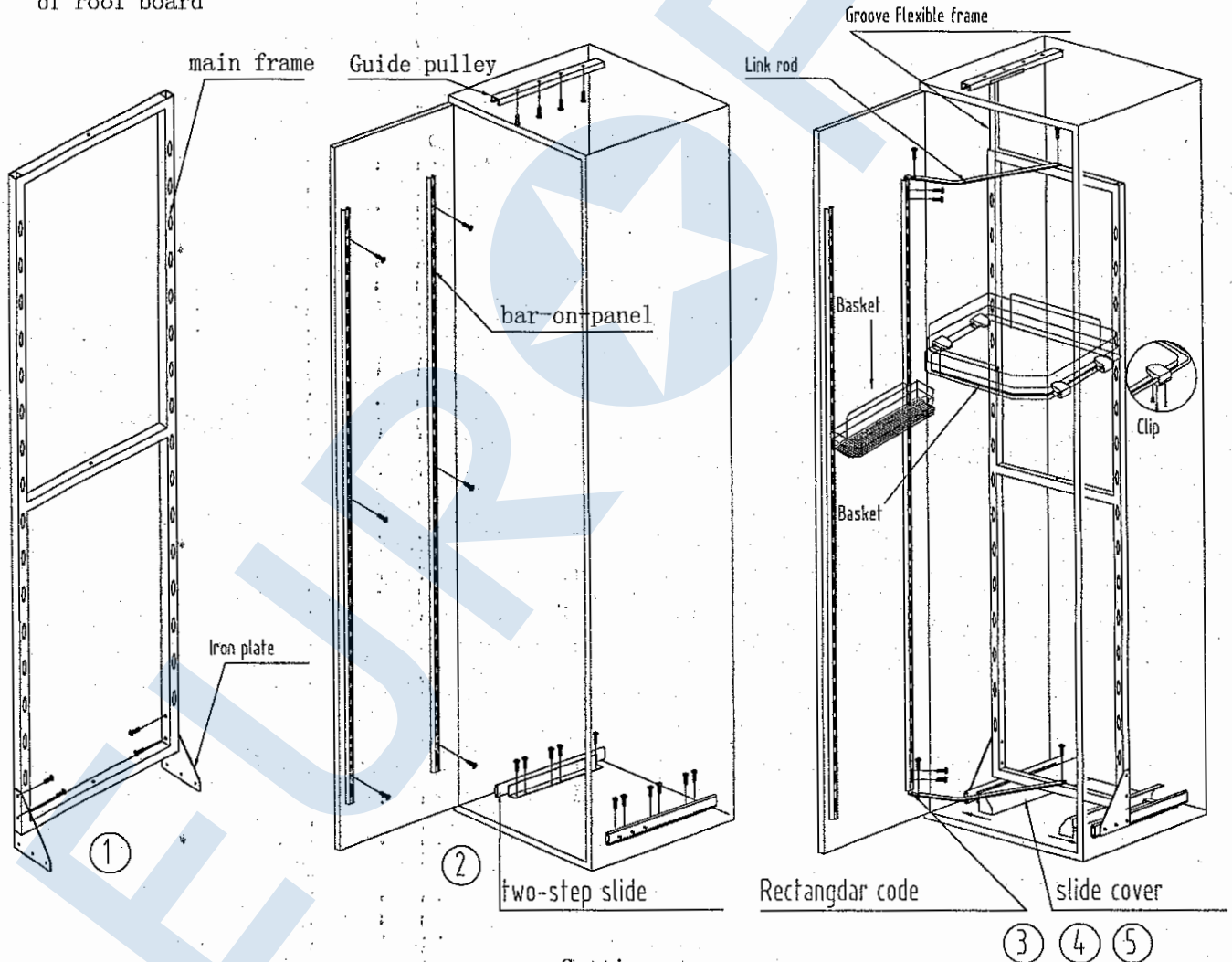
Aperture dimension of roof board



distance of hooks for panel baskets



Aperture dimension of bottom board



Please read this instruction and examine all the accessories before installation. Please contact us for any question.

No.	Description	Spec.	Quantity	Remarks
1	two-step slide	16"	1 set	
2	Self-tapping screws	M4X20	6 Pcs	
3	round cap screw	M6X10	6 Pcs	
4	screw	1X6	4 Pcs	
5	machire screw	M4X10	2 Pcs	
6	hexagon screw	M6X30	4 Pcs	
7	bar connector	M4X16	12 Pcs	
8	allan key		1 Pos	

### Setting steps:

1. Connect the frame and iron plate as shown above.
2. Mount the guide pulley and slide as per the corresponding drawing.
3. Install the aluminum door frame onto the door panel.
4. Place the frame assembly onto the slide and connect the guide pulley using flexible frame.
5. Place the big and small baskets. Installation is complete. If with glass/compact, please fix the board first, then put the main frame.