

Vero Drawer System (SC-203) With Single Gallery Rail 199mm Height

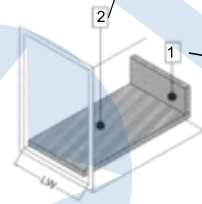
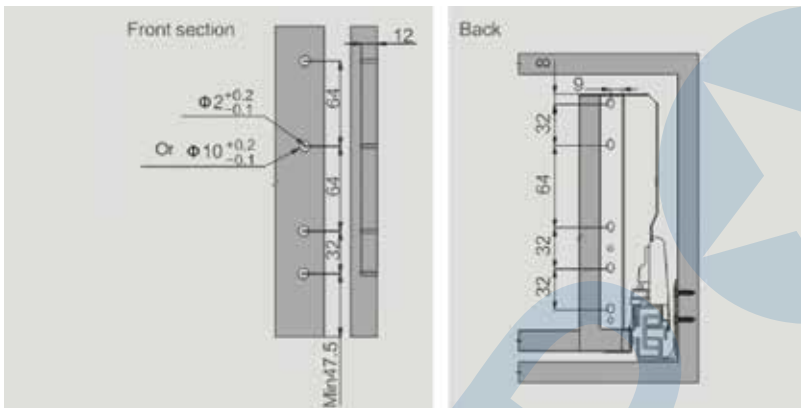


Bottom & Back Panels Measurement

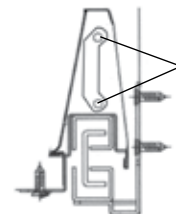
LW: Internal Cabinet Width

Bottom Panel Width = $LW - 75 \pm 0.5$

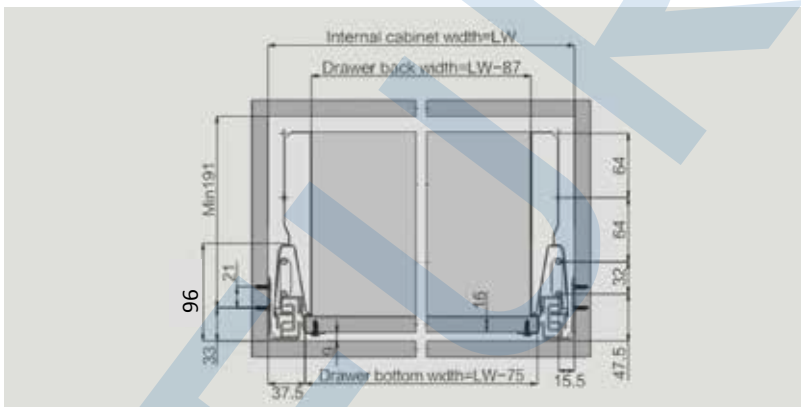
Bottom Panel Length = Nominal Length - 24mm



Back Panel Height: 199mm
Back Panel Length = $LW - 87 \pm 0.5$



Pay Attention To The Direction Of Bracket



Front fixing brackets with expandable dowels 10 x 9.9mm

Drawer Front Marking Jig Item No. SC-201-Jig

Drawer Front Marking Jig Item No. SC-201-Jig