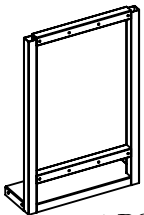
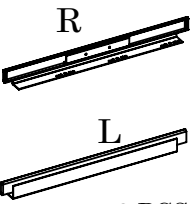
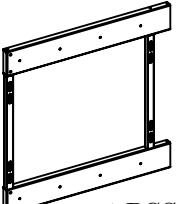
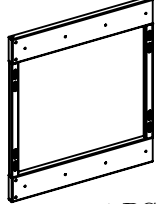
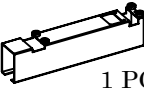
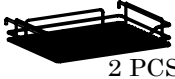
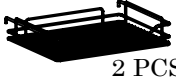
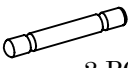


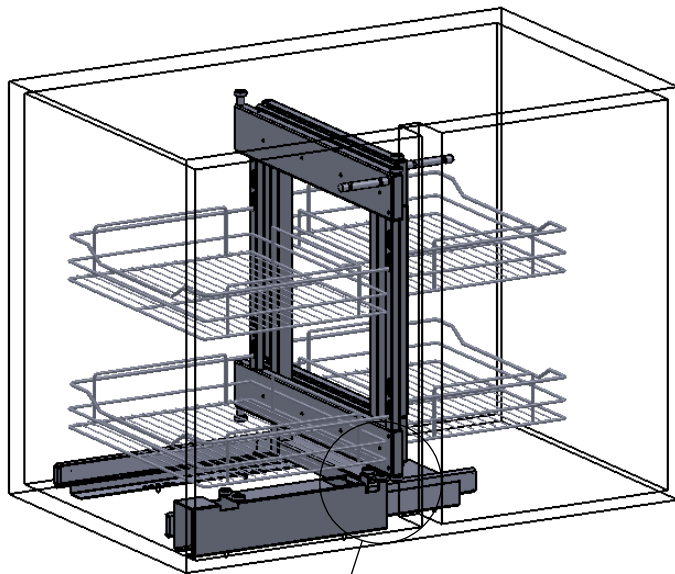
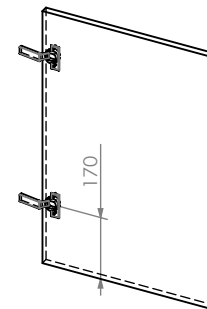


INSTALLATION INSTRUCTION *For WMC-034*

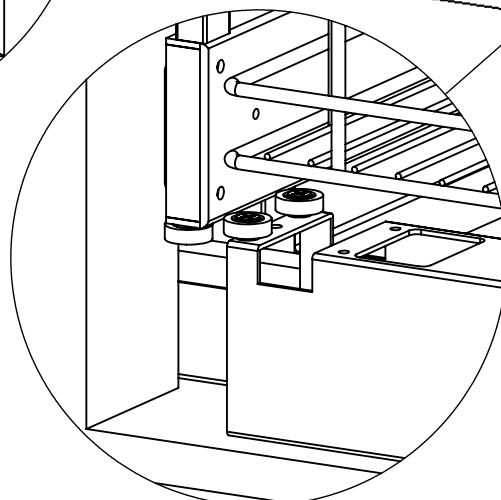
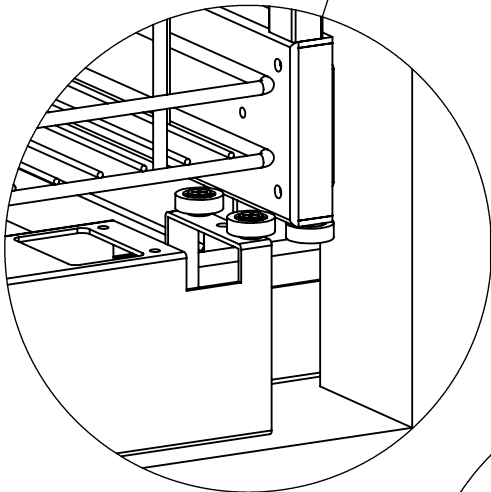
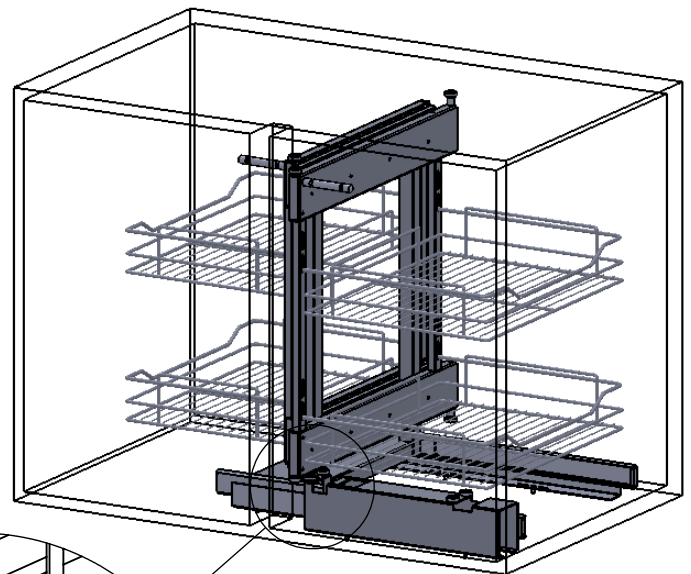
Main Frame	Frame Slide	Big Basket Rack	Small Basket Rack	Front Channel	Big Basket	Small Basket
 1 PCS	 R L 2 PCS	 1 PCS	 1 PCS	 1 PCS	 2 PCS	 2 PCS
				 2 PCS	 10 PCS	 22 PCS

Left Assembly

Hinges locations



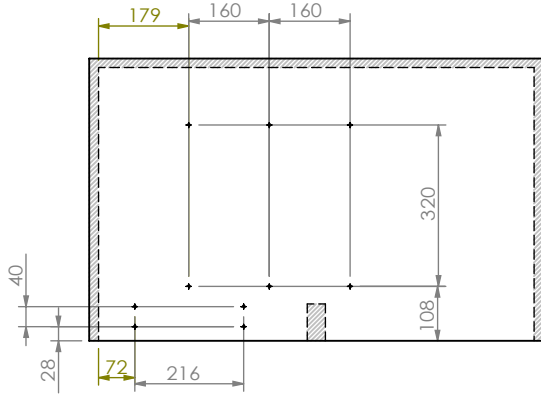
Right Assembly



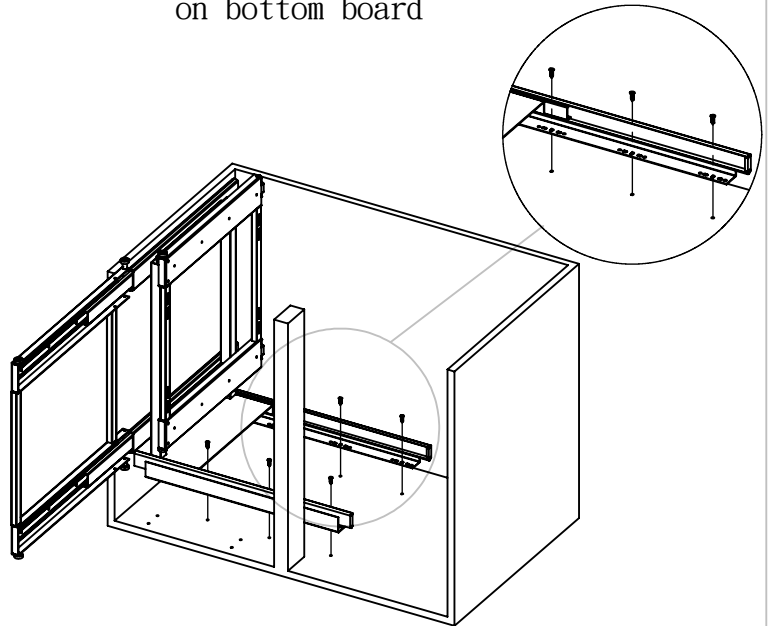
INSTALLATION INSTRUCTION *For WMC-034*

Left Assembly

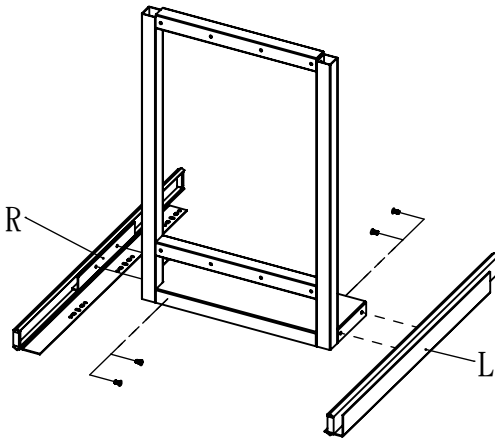
STEP 1: Mark screw holes on bottom board for Left open door



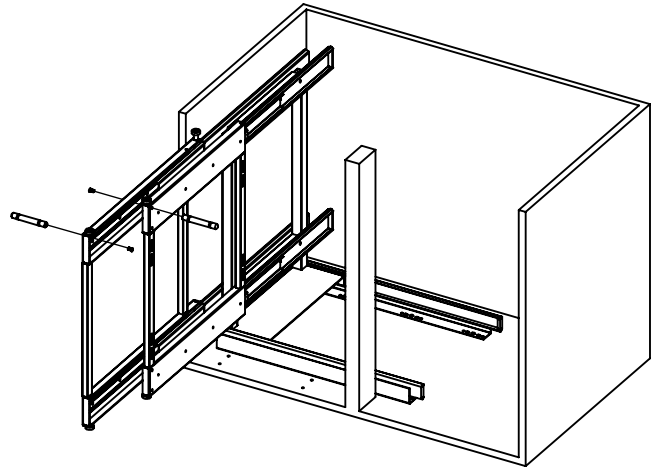
STEP 4: Match finished frame to screw holes on bottom board



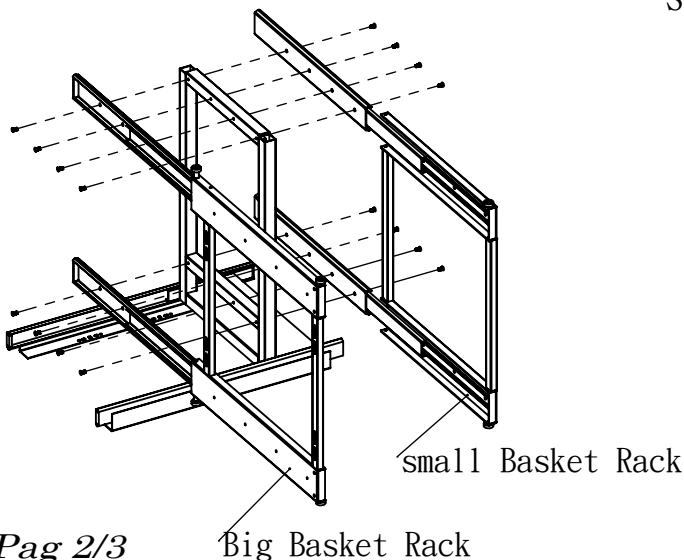
STEP 2: Screw frame slide L & slide R on main frame



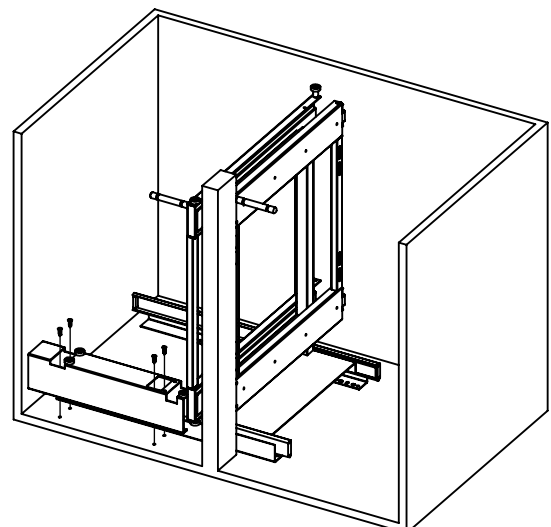
STEP 5: Install pull-out handle on frame



STEP 3: Screw big & small basket rack on main frame



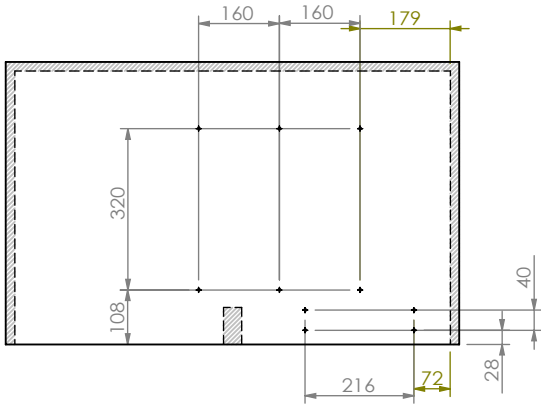
STEP 6: Match front channel to screw holes on bottom board



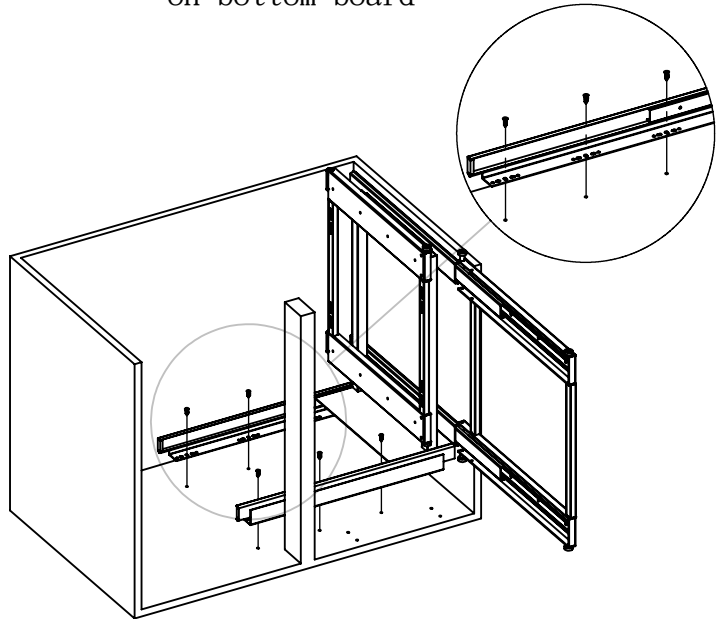
INSTALLATION INSTRUCTION *For WMC-034*

Right Assembly

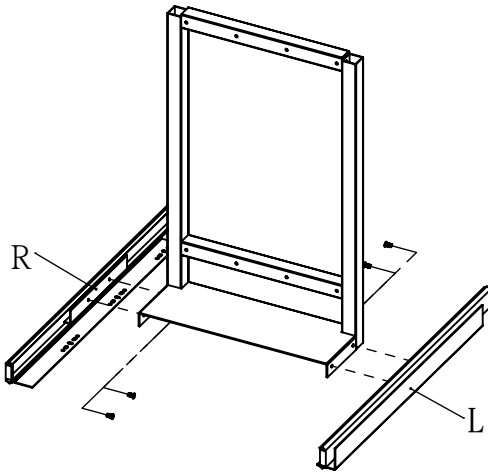
STEP 1: Mark screw holes on bottom board for left open door



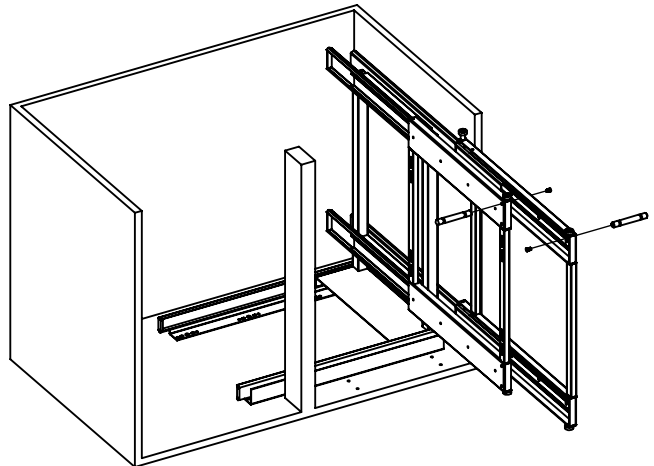
STEP 4: Match finished frame to screw holes on bottom board



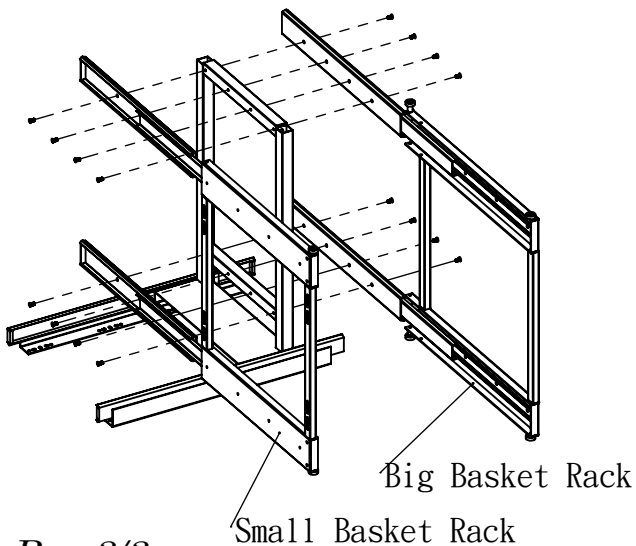
STEP 2: Screw frame slide L & slide R on main frame



STEP 5: Install pull-out holes on frame



STEP 3: Screw big & small basket rack on main frame



STEP 6: Match front channel to screw holes on bottom board

