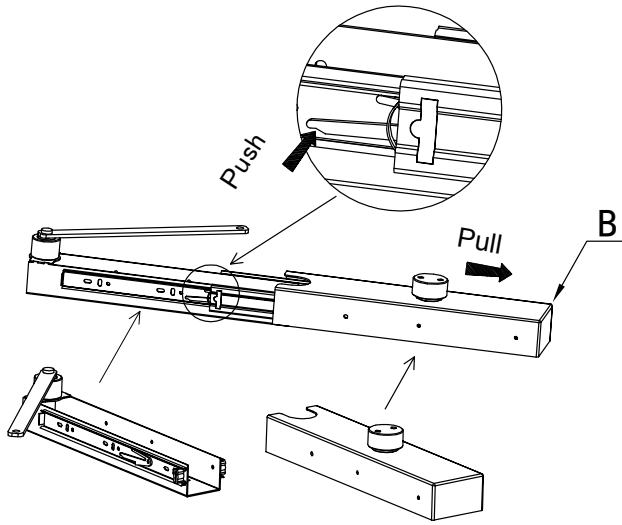
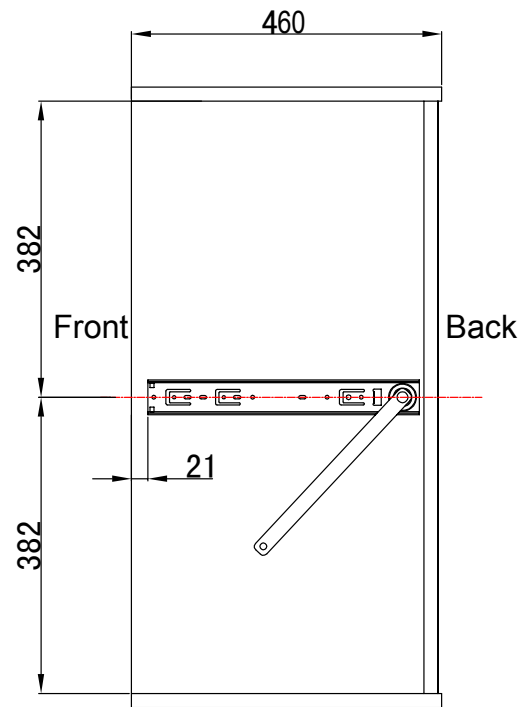


# Slide Out Revolving Shoe Rack (ZSR-800R)

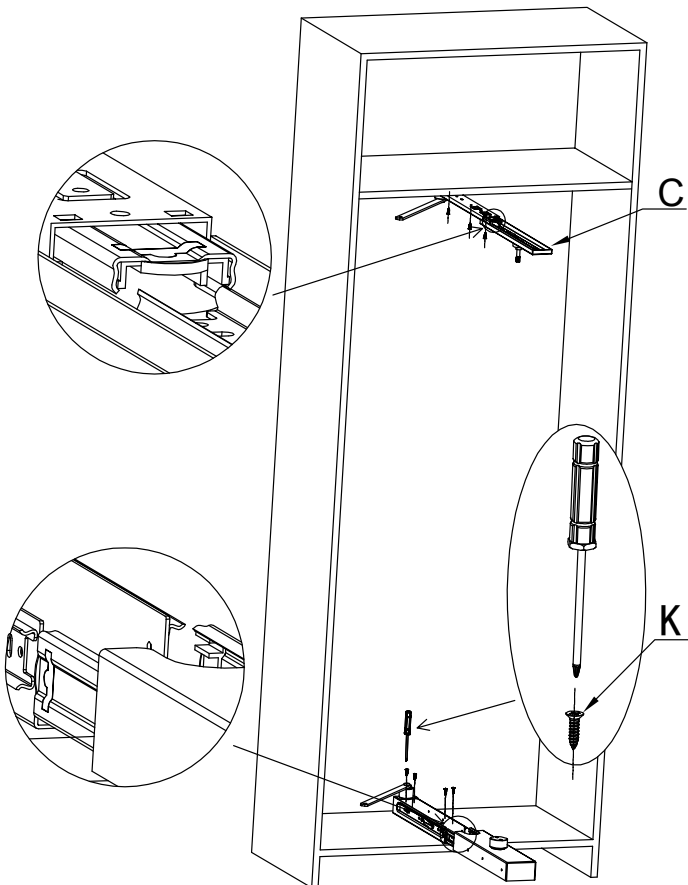


According to the direction of the arrow push up the slide, then push down the other side slide, at the same time pull-out the outer slide. As shown in the picture. Top slide will be the same split method.

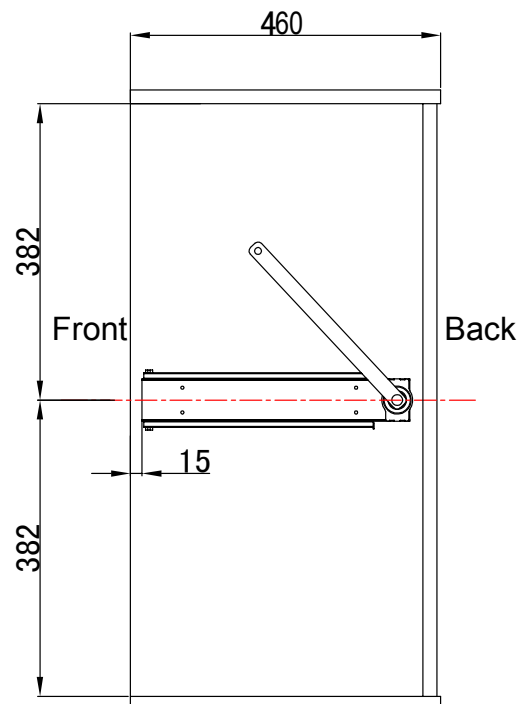
Step (1)



Top mounted slide installation plan

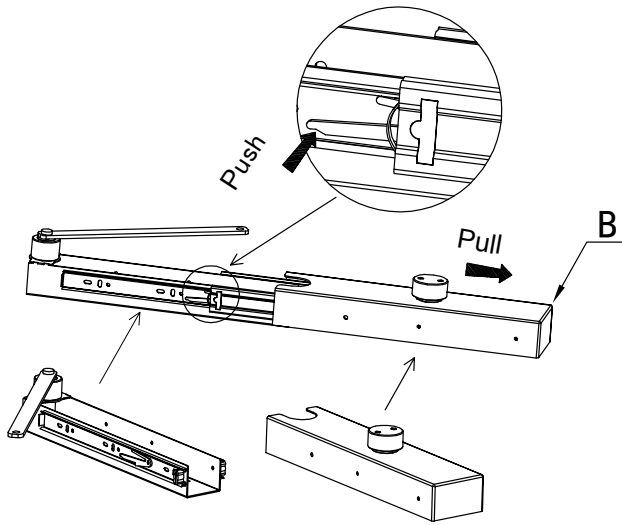


Screw down the screws, then assembly slide



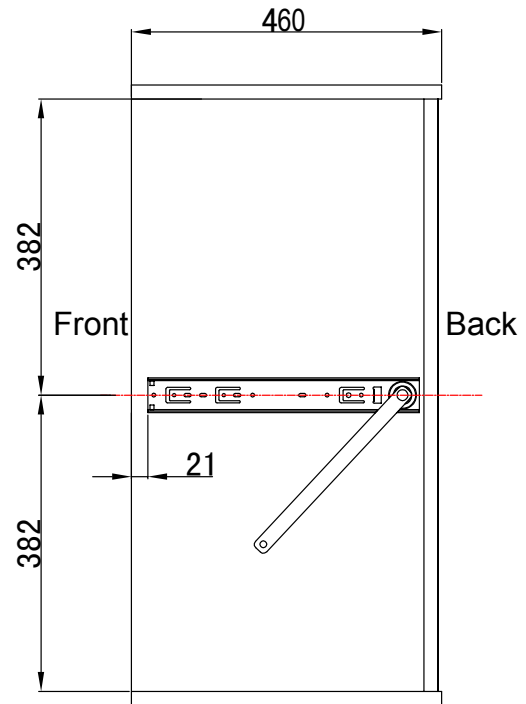
Bottom mounted slide installation plan

# Slide Out Revolving Shoe Rack (ZSR-800R)

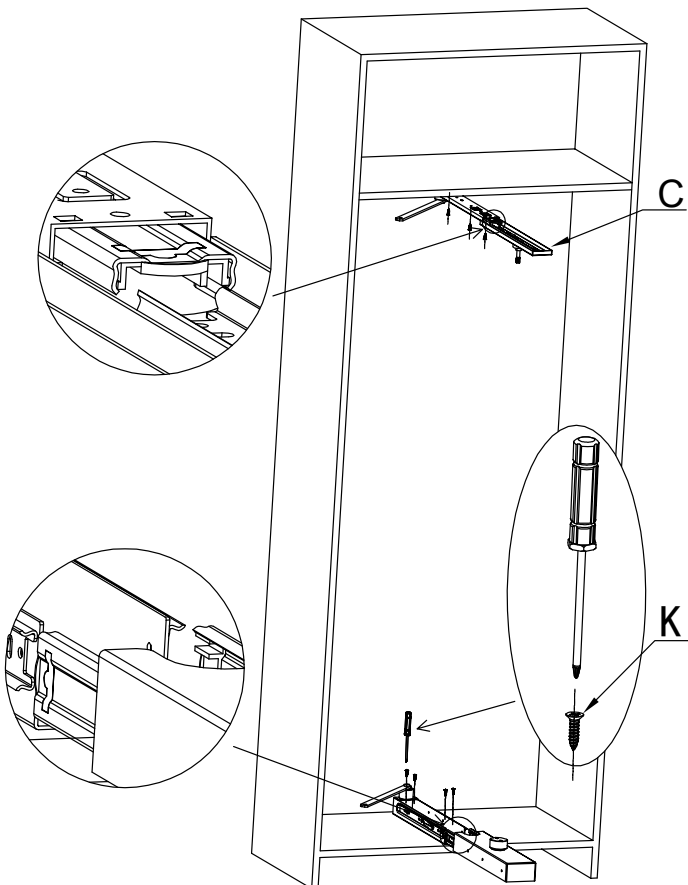


According to the direction of the arrow push up the slide, then push down the other side slide, at the same time pull-out the outer slide. As shown in the picture. Top slide will be the same split method.

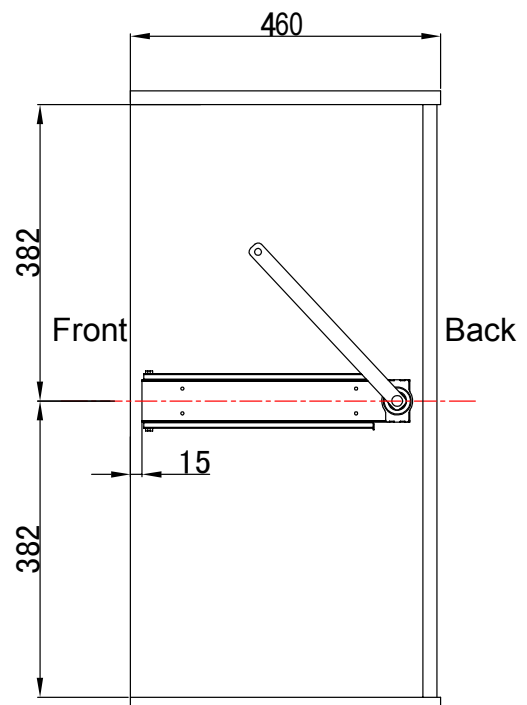
Step (1)



Top mounted slide installation plan

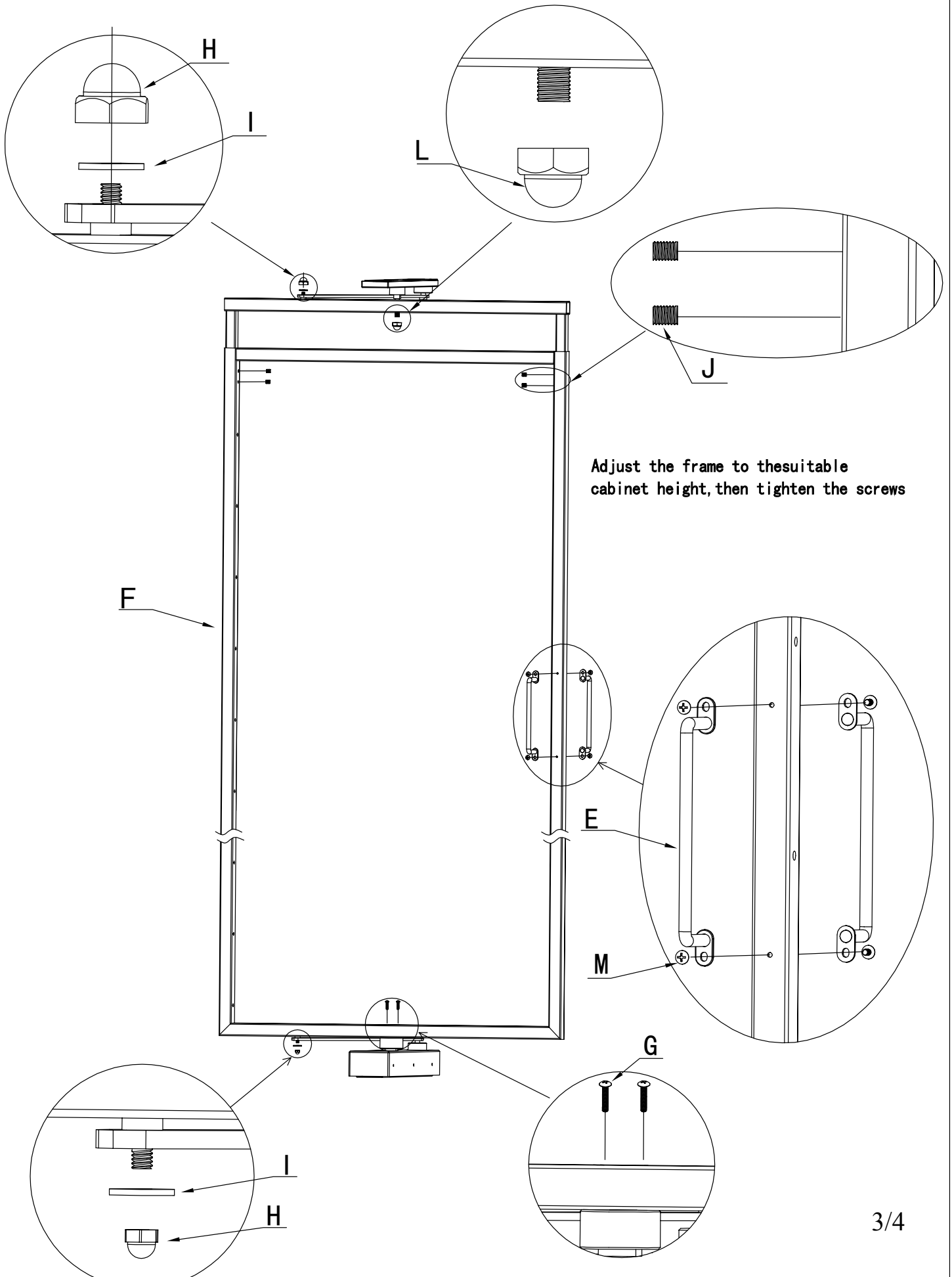


Screw down the screws, then assembly slide



Bottom mounted slide installation plan

# Slide Out Revolving Shoe Rack (ZSR-800R)



# Slide Out Revolving Shoe Rack (ZSR-800R)

