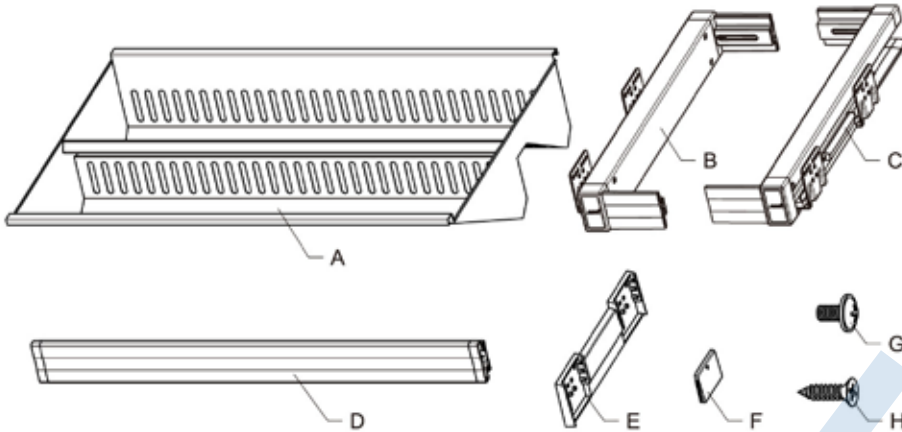


Adjustable Soft Closing Shoe Racks (ZSR-600BSC / ZSR-800BSC)

Accessories list

Please check the list before assembly.

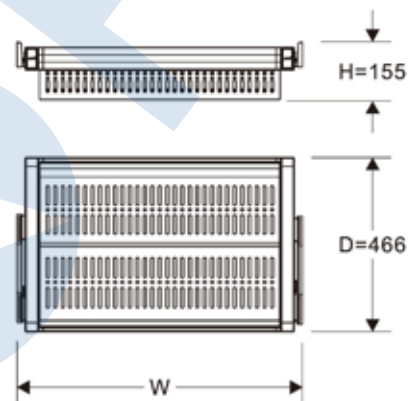


No.	Name	Qty
A	Shoe rack	1
B	Left slide components	1
C	Right slide components	1
D	Pull out frame	2
E	Slide frame bottom cover	2
F	Plastic cover	4
G	M4x8 screw	4
H	ST4x16 screw	12

Specifications

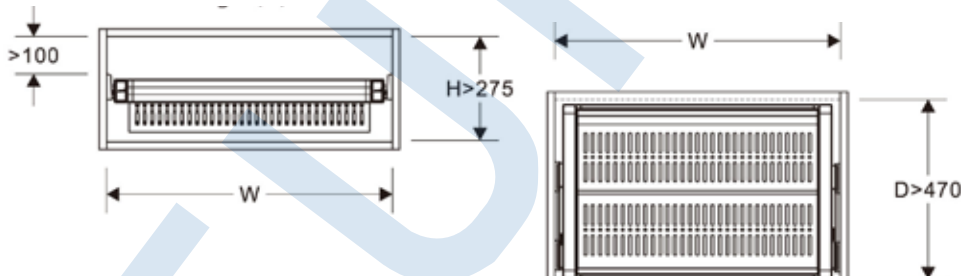
Width (W) adjustable , Depth (D) =466 , Height (H) =155.

Model	Model
ZSB-800BSC	764 - 864
ZSB-600BSC	564 - 664



Installation requirements

Cabinet specifications: inner width(W) adjustable, inner depth(D)>470, according to you need to adjust the reasonable inner height, recommendation inner height(H)>275.



Model	Model
ZSB-800BSC	764 - 864
ZSB-600BSC	564 - 664

Step 1

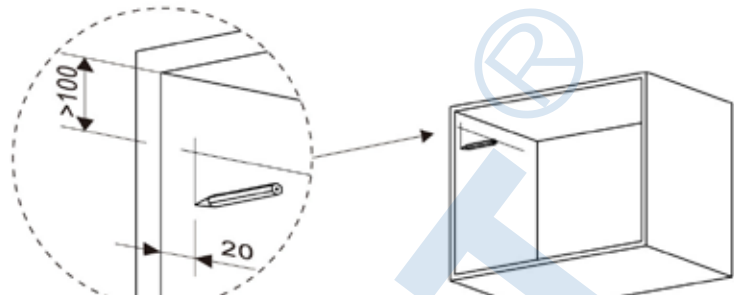
Loose side screw of right slide components(C), separate slide frame and slide; Same step to separate left slide components(B).



Adjustable Soft Closing Shoe Racks (ZSR-600BSC / ZSR-800BSC)

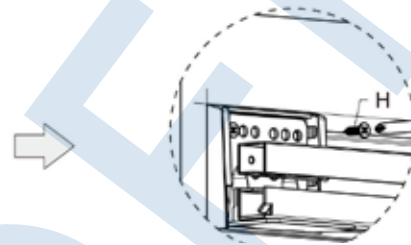
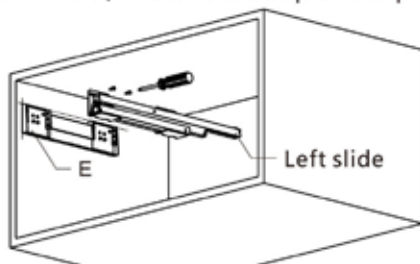
Step 2

Mark a line on cabinet left side, recommendation height > 100 (adjust the height according to you need).
Mark a vertical line on cabinet depth 20mm.
Make same step on cabinet right side.



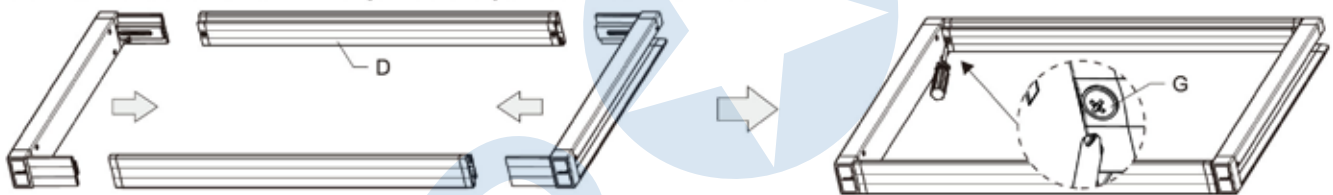
Step 3

Take slide frame bottom cover (E) fix on left slide and set it horizon level as the marked two lines (Step 1), put screw (H) to assembly on cabinet left side; use the same step to set up right slide.



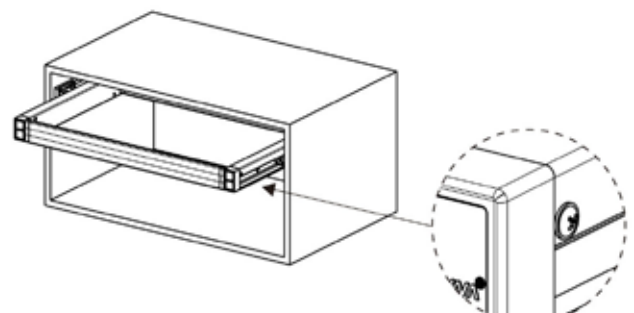
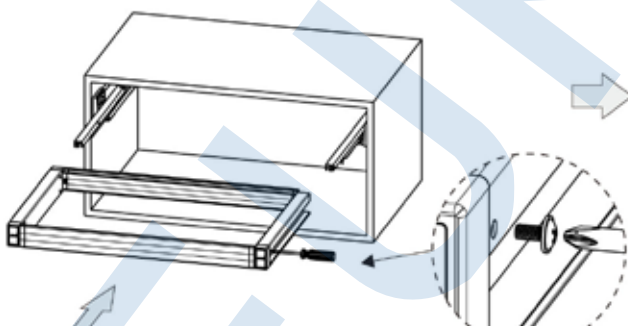
Step 4

Take left & right slide frame and pull out frame (D) to set up a whole frame, connected with screw (G) on four corner, loose the screws to make the frame width adjustable as your cabinet inner width.



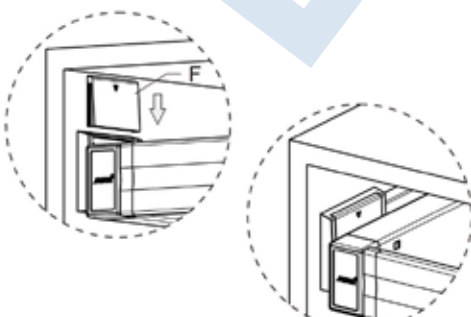
Step 5

Pull out left & right slides, adjust the width of frame, embode it into slides, put the screw to fix frame with slides. Pull & push the frame to make sure it works smoothly.



Step 6

Put on 4 plastic covers (F) on slide frame bottom cover (E).



Step 7

Put shoe rack (A) on frame, assembly done.

