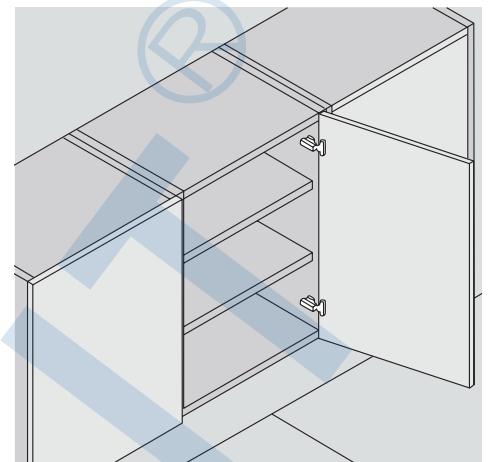
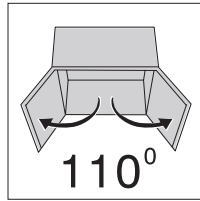


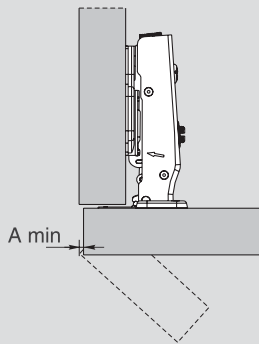
110° Two Way Full Overlay Quick Release Soft Closing Hinges {EU-02HA(TW)}



- Opening angle: 110°
- Depth of hinge cup: 11.5mm
- Diameter of hinge cup: 35mm
- Range of door thickness: 16-26mm
- Possible drilling distances on the door (K): 3-6 mm

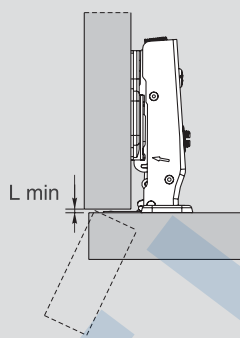


Space needed to open the door



| | T= | 16 | 17 | 18 | 19 | 20 | 21 | 22 | 23 | 24 | 25 | 26 |
|-----|----|-----|-----|-----|-----|-----|-----|-----|-----|-----|-----|-----|
| K=3 | A= | 0.7 | 0.9 | 1.2 | 1.5 | 1.8 | 2.2 | 2.6 | 3.2 | 3.8 | 4.5 | 5.3 |
| K=4 | A= | 0.7 | 0.9 | 1.1 | 1.4 | 1.8 | 2.1 | 2.5 | 3.0 | 3.5 | 4.4 | 4.9 |
| K=5 | A= | 0.6 | 0.9 | 1.1 | 1.4 | 1.7 | 2.0 | 2.4 | 2.9 | 3.4 | 3.9 | 4.6 |
| K=6 | A= | 0.6 | 0.8 | 1.1 | 1.3 | 1.6 | 2.0 | 2.4 | 2.8 | 3.2 | 3.8 | 4.4 |

Space needed to open the door

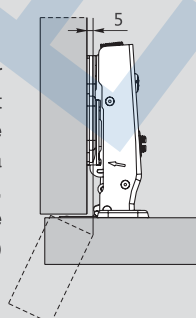


| | T= | 16 | 17 | 18 | 19 | 20 | 21 | 22 | 23 | 24 | 25 | 26 |
|-----|----|-----|-----|-----|-----|-----|-----|-----|-----|-----|-----|-----|
| K=3 | L= | 0.0 | 0.0 | 0.0 | 0.0 | 0.0 | 0.0 | 0.0 | 0.0 | 0.0 | 0.0 | 0.1 |
| K=4 | L= | 0.0 | 0.0 | 0.0 | 0.0 | 0.0 | 0.0 | 0.2 | 0.4 | 0.7 | 0.9 | 1.1 |
| K=5 | L= | 0.0 | 0.2 | 0.4 | 0.6 | 0.8 | 1.0 | 1.2 | 1.4 | 1.6 | 1.8 | 2.0 |
| K=6 | L= | 0.9 | 1.2 | 1.4 | 1.6 | 1.8 | 2.0 | 2.2 | 2.4 | 2.6 | 2.8 | 3.0 |

The above values are calculated on the assumption that the doors have square edges. They are reduced if the doors have radiused edges.

Projection of the door

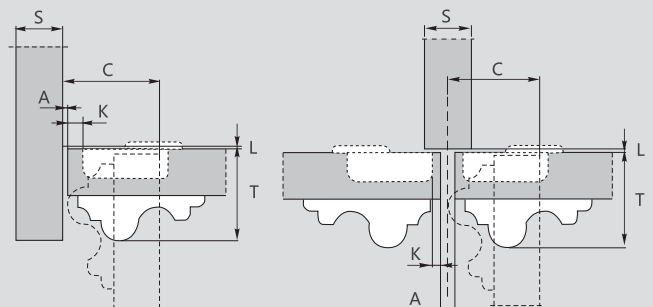
Projection of the door from the cabinet side at the max. opening. The figures are based on a straight arm hinge, H=0mm mounting plate and drilling distance (K) =3mm.



C" value

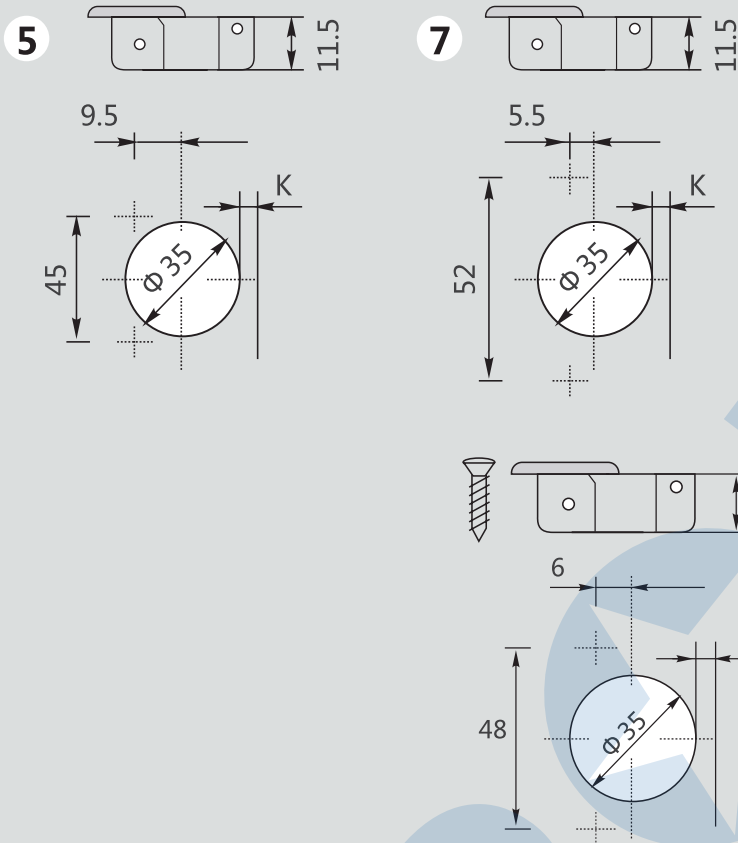
$$C = 20 + K + A$$

With this formula you can obtain the max. thickness of the moulded door that can be opened without touching adjacent carcass sides, doors or walls, whilst bearing in mind the above L-K-T values.



110° Two Way Full Overlay Quick Release Soft Closing Hinges {EU-02HA(TW)}

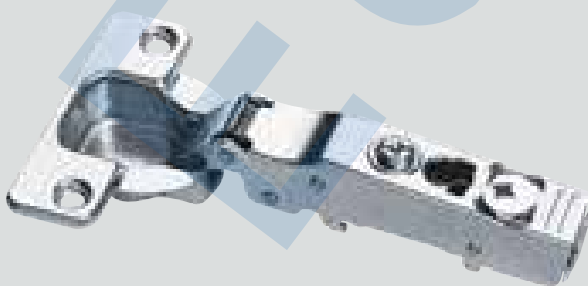
Φ 35mm Hinge cup types



Use these formulas to determine the type of hinge arm, the drilling distance "K" and the height of the mounting plate "H" for each door application.

C80 series snap-on soft close hinge 110° (two way, cam-adjustable)

Full overlay C=0



$$H=12+K-(D)$$

