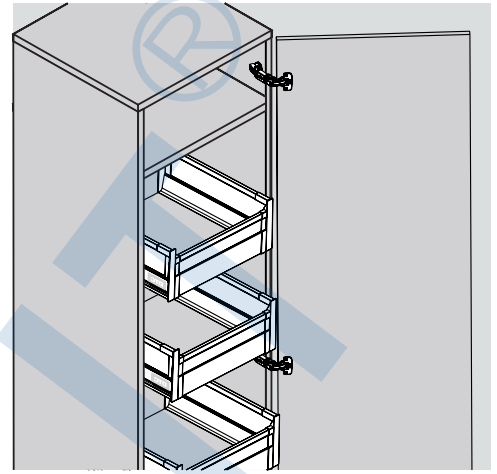
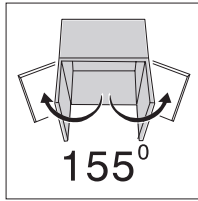


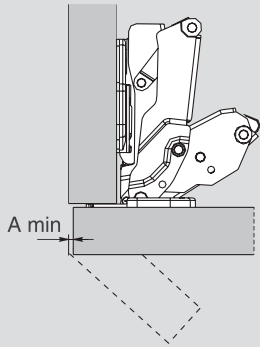
155° Two Way Quick Release Soft Closing Zero Protrusion Hinges {EU-02H155(TW)}



- Opening angle: 155°
- Depth of hinge cup: 11.5mm
- Diameter of hinge cup: 35mm
- Range of door thickness: 16-24mm
- Possible drilling distances on the door(K): 3-6 mm
- Special Application To Cover 32mm Panel. Drilling Distances on the door(K): 21mm (see page 3-3)



Space needed to open the door

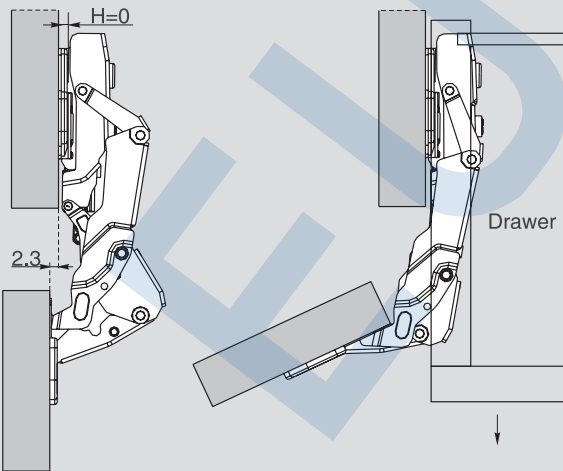


	T=	16	17	18	19	20	21	22	23	24		
K=3	A=	0	0	0	0	0	0	0	0	0		
K=4	A=	0	0	0	0	0	0	0	0	0		
K=5	A=	0	0	0	0	0	0	0	0	0		
K=6	A=	0	0	0	0	0	0	0	0	0		

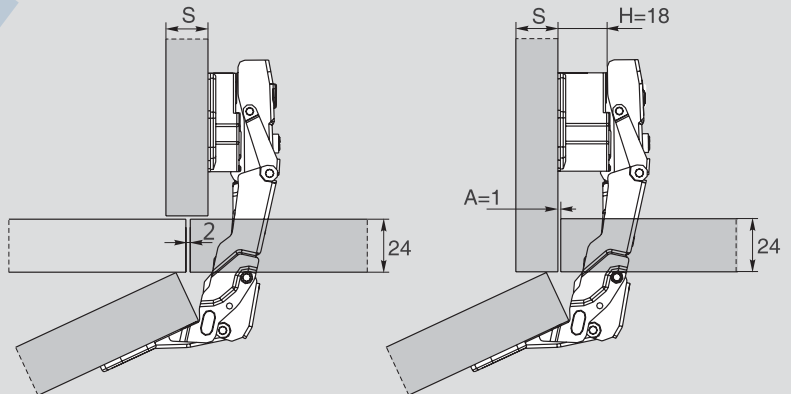
Application

The door combined with a mounting plate H=0, opens at 90° with a 2.3mm protrusion allowing objects (e.g. drawers) move from inside of the cabinet.

No gap is required when door thickness is less than 24mm.
A trial assembly is recommended when door thickness is more than 24mm.



Full overlay C=0



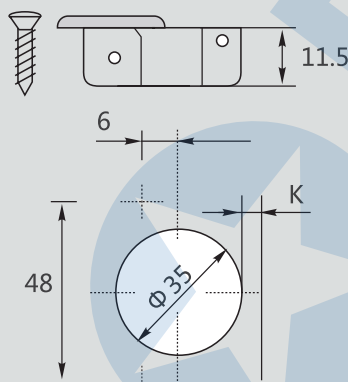
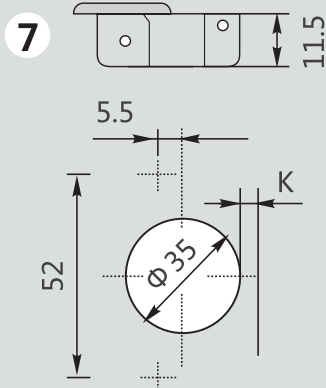
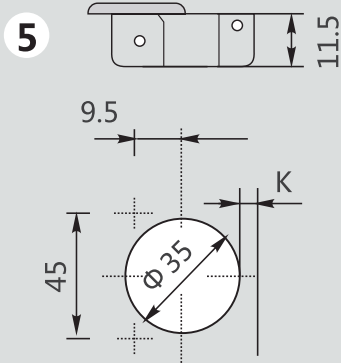
Half overlay C=9

Inset C=18

155° Two Way Quick Release

Soft Closing Zero Protrusion Hinges {EU-02H155(TW)}

Φ 35mm Hinge cup types

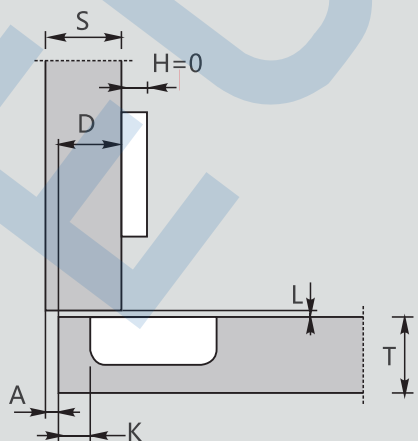


Use these formulas to determine the type of hinge arm, the drilling distance "K" and the height of the mounting plate "H" for each door application.

Full overlay C=0



$$H=11+K-(D)$$

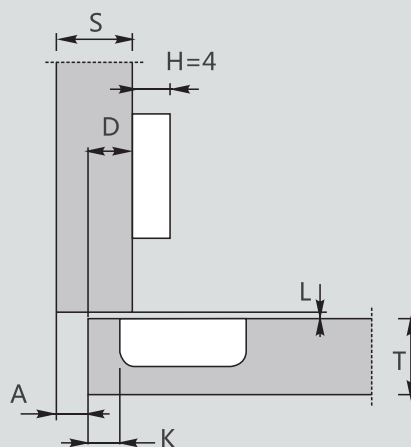


H=0 Mounting plate only

Small overlay C=4



$$H=11+K-(D)$$



H=4 Mounting plate only

Special Application To Cover 32mm Panel

