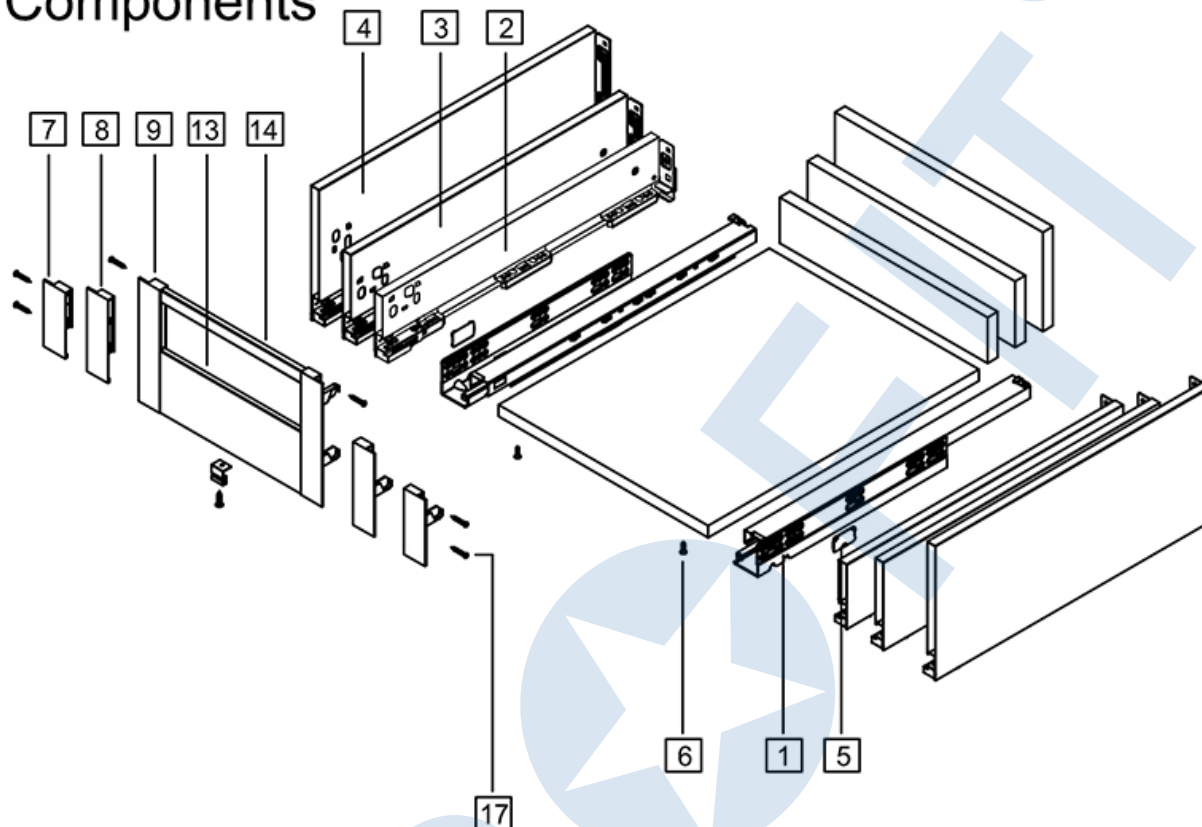


Vero Drawer System

Internal Slim Drawer (SC-801 / 802 / 803)

Components



Item No.	Nominal length	Internal drawer length	Min. installation length of drawer
808LB-270	270mm	234mm	275mm
808LB-300	300mm	264mm	305mm
808LB-350	350mm	314mm	355mm
808LB-400	400mm	364mm	405mm
808LB-450	450mm	414mm	455mm
808LB-500	500mm	464mm	505mm
808LB-550	550mm	514mm	555mm

1. Cabinet profiles: L/R	
2. 89 Drawer profiles: L/R	
3. 121 Drawer profiles: L/R	
4. 185 Drawer profiles: L/R	13.808-1 Front section
5. Side cover plate	14. Cross square rail
6. Bottom & Back screw (Ø3.5x15)	
7. 808-89-1 Front Fixing brackets L/R	
8. 808-121-1 Front Fixing brackets L/R	17.808 Front section Screw (Ø4x30/Ø4x17)
9. 808-185-1 Front Fixing brackets L/R	

Drawer Back and Bottom Dimensions

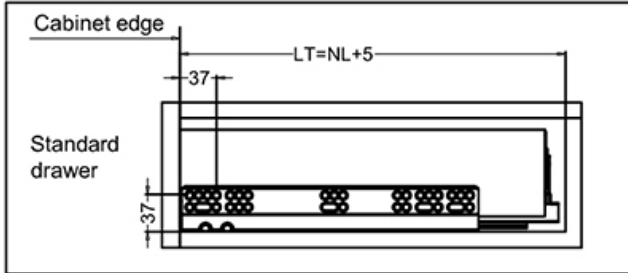
	Metal Back L=LW-42 	Drawer Bottom L=NL-20 	KB Cabinet width LW Internal cabinet width NL Nominal length

Vero Drawer System

Internal Slim Drawer (SC-801 / 802 / 803)

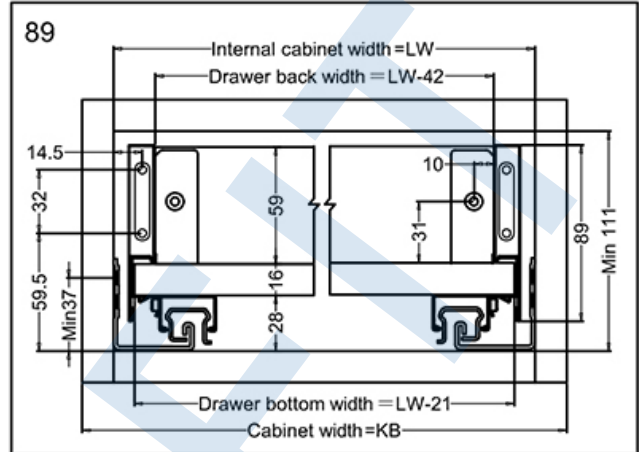
Installation dimensions (mm)

Nominal slide length=NL Internal cabinet depth=LT



Drawer installation dimensions (mm)

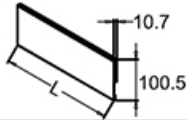
LW=Internal cabinet width



Accessories cutting (mm)

13.808-1 Front section

L=LW-87



KB≥800mm

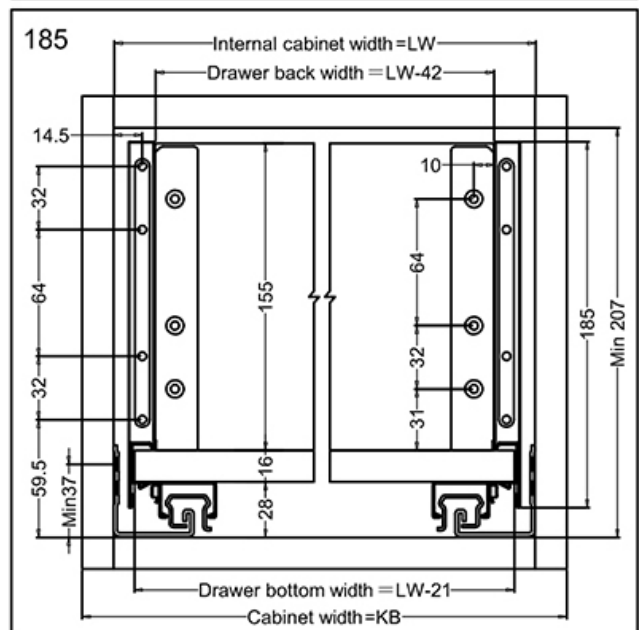
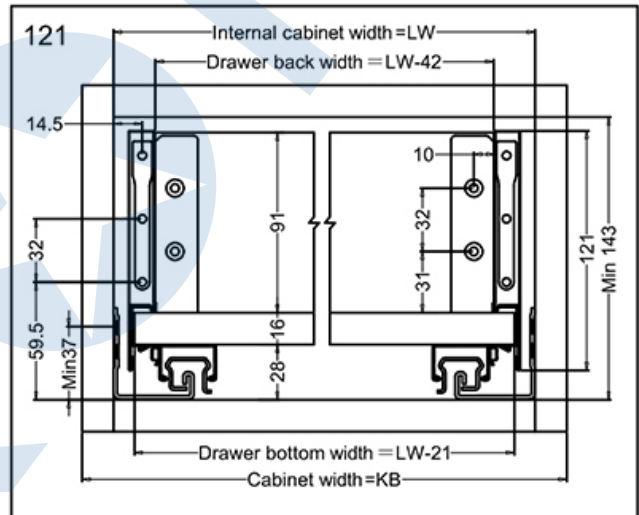
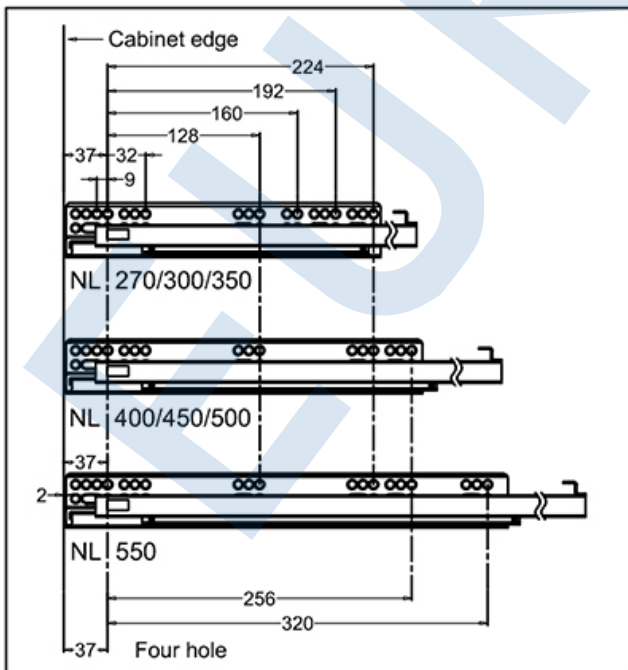


14. Cross square rail

L=LW-55



Screw positions of the sides



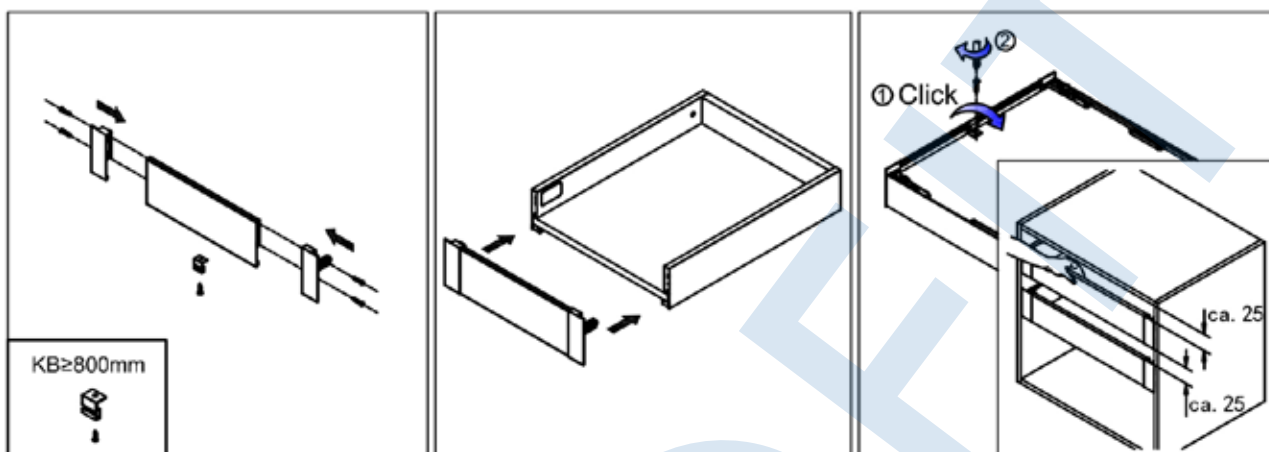
Vero Drawer System

Internal Slim Drawer (SC-801 / 802 / 803)

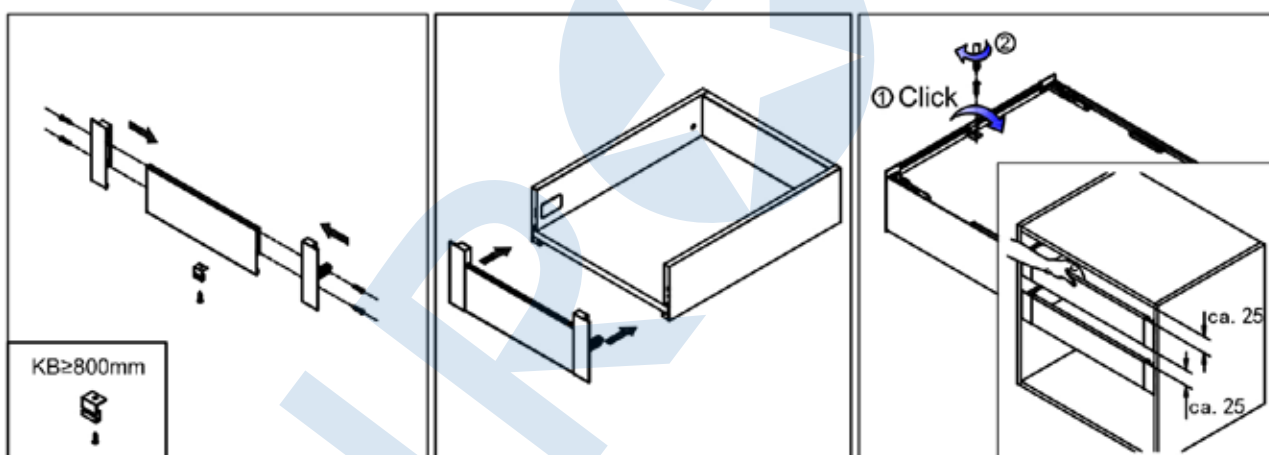
808 Inner series slender metal drawer

Assembly removal and adjustment

808-89 Inner drawer front assembly



808-121 Inner drawer front assembly



808-185 Inner drawer front assembly

