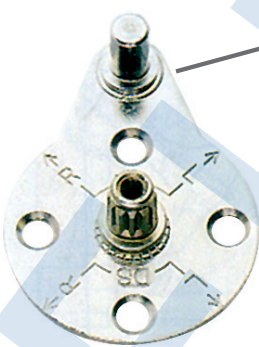
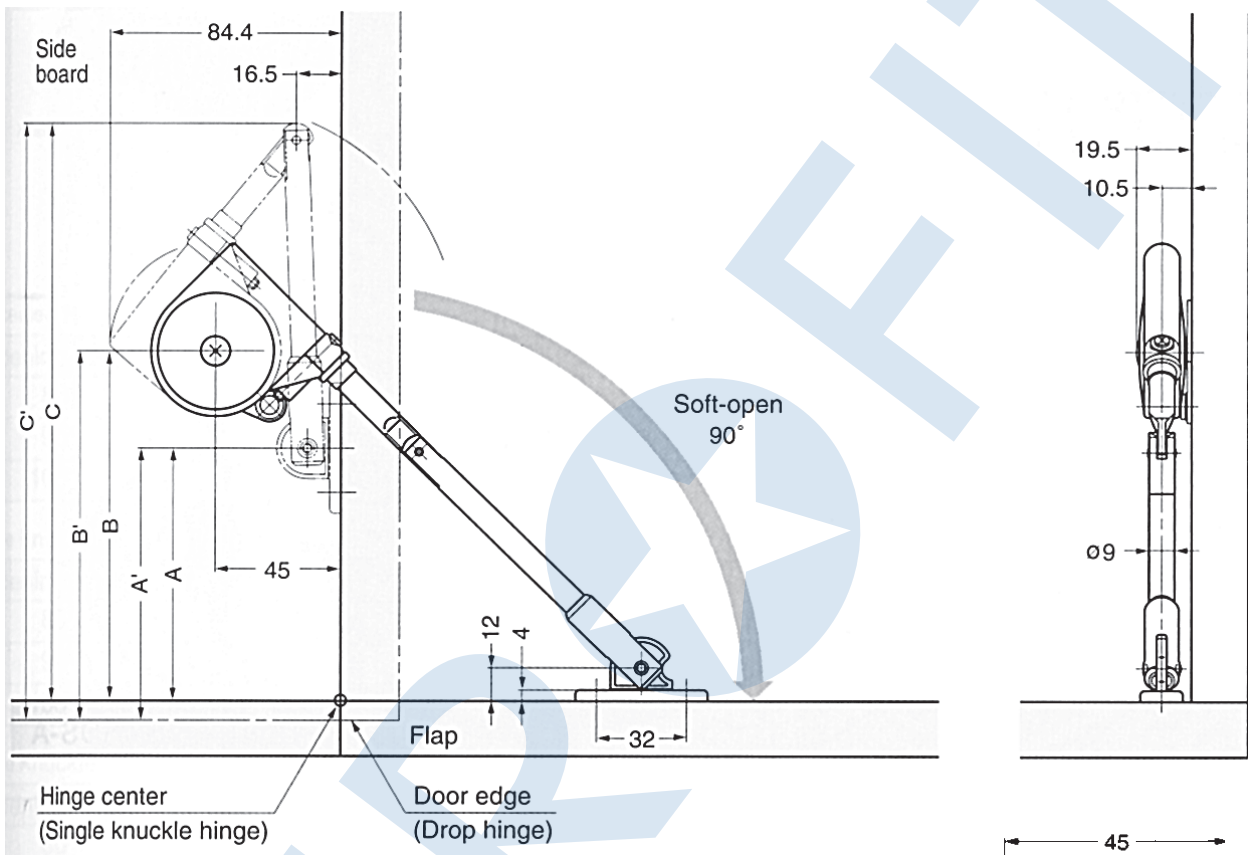


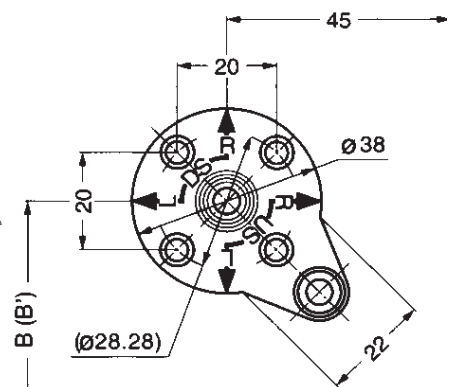
Soft Down Stays (JP_SDS_C100)

Torque Calculation:
 Torque = Door Height x Door Weight / 20
 per piece: 35~50kg. mm
 per pair: 70~100kg. mm



mounting plate
SDS-A

for Right side
board



Hinge Type	A	A'	B	B'	C	C'
single knuckle hinge	100	-	135	-	218	-
drop hinge	-	107	-	142	-	225