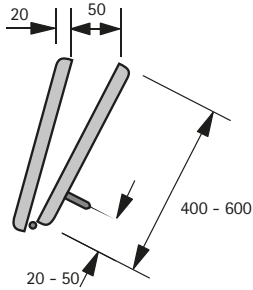


Folding door system

- ▶ WingLine 230 / Attached to the side
- ▶ Planning dimensions

WingLine 230 installation dimensions

2-wing door set



2-wing folding door

Door width 800 - 1200 mm
 Door weight / wing 20 - 25 kg
 Door wing height 2000 - 3000 mm

Calculation of door width / door wing width

2 folding doors with 4 wings

Door width = inside carcass width + (2 x overlay¹)

Door panel width = (inside carcass width - 3 x reveal + 2 x overlay¹) ÷ 4

Overlay¹: max. 15 mm, C dimension 5 mm

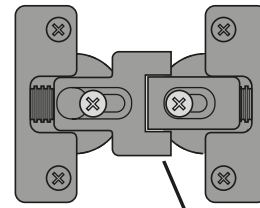
1 folding door with 2 wings

Door width = inside carcass width + (overlay¹ + overlay²)

Door panel width = (inside carcass width - 1 x reveal + overlay¹ + overlay²) ÷ 2

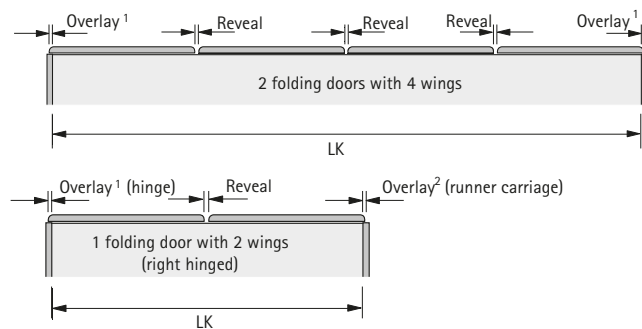
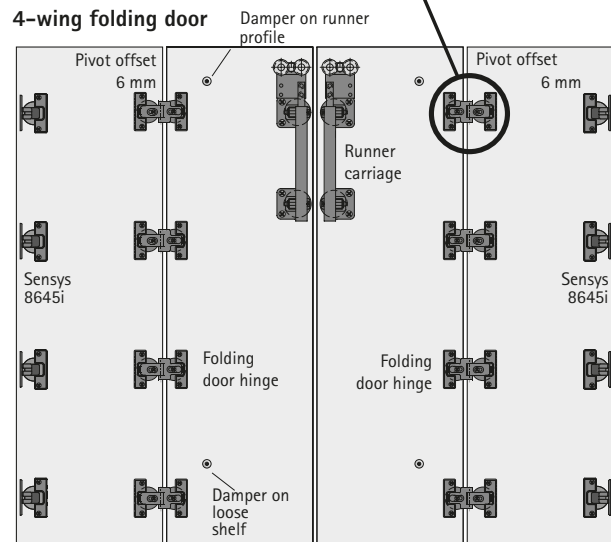
Overlay¹: max. 15 mm, C dimension 5 mm

Overlay²: max. 4 mm

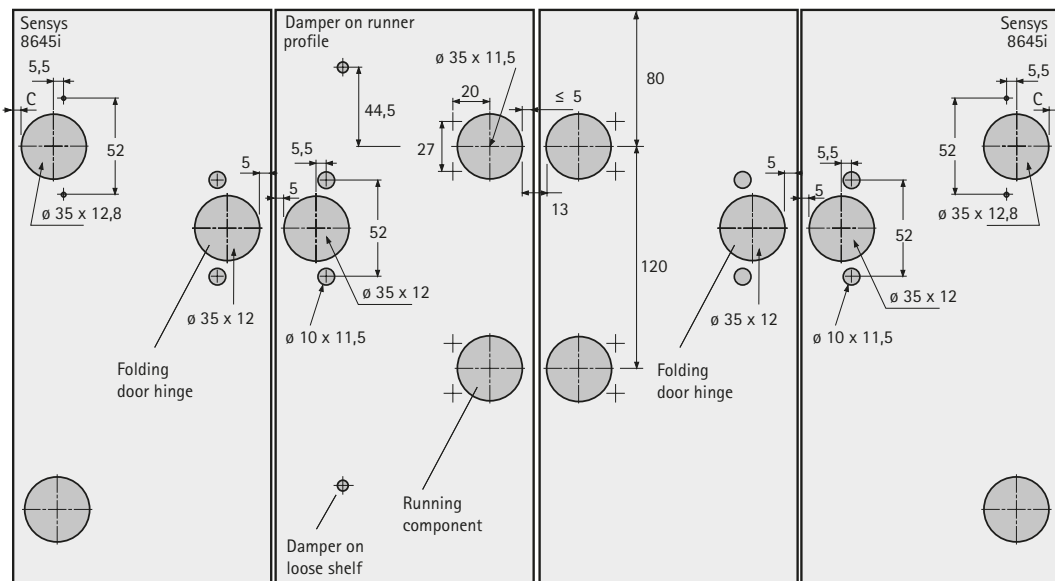


*Beware of hinge orientation

4-wing folding door



Drilling patterns

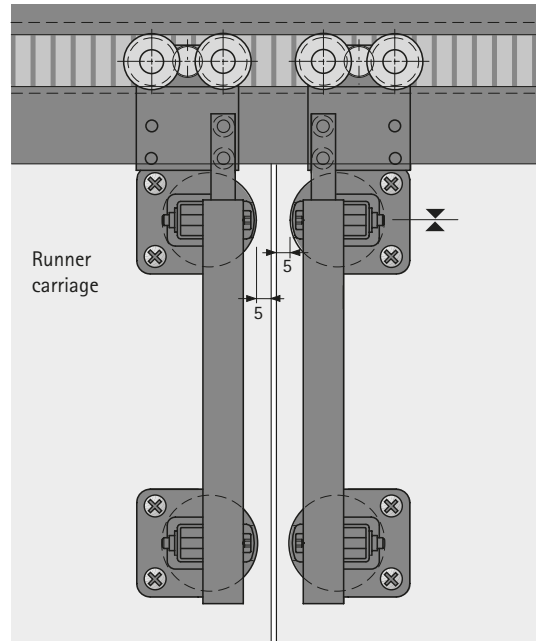
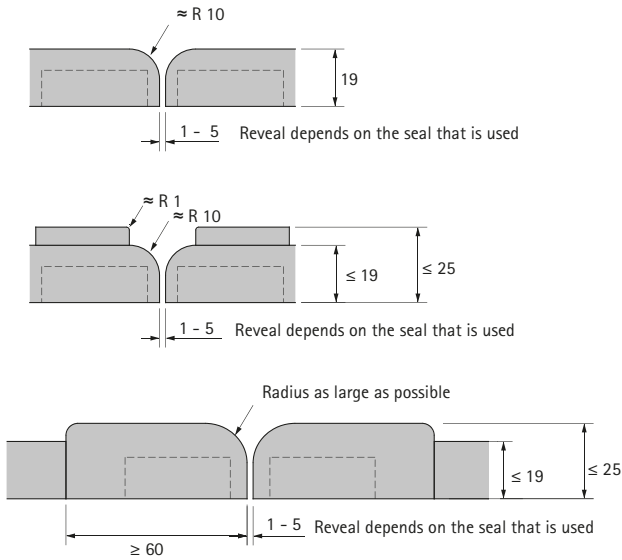


Folding door system

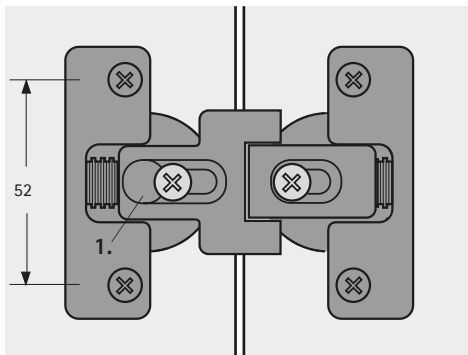
- ▶ WingLine 230 / Attached to the side
- ▶ Planning dimensions

WingLine 230 installation dimensions

Door wing contours and reveals (as finger protection)



Folding door hinge Mounting side right



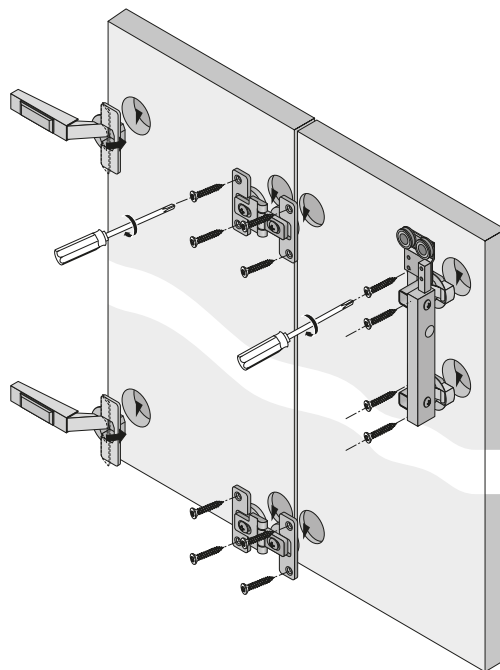
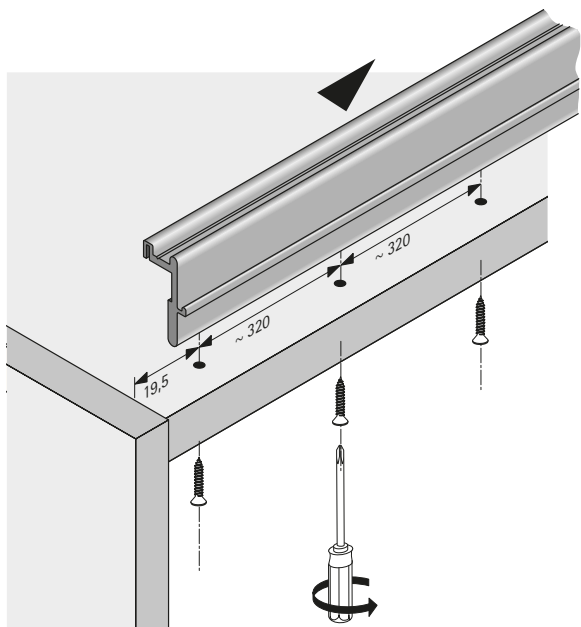
1. Reveal adjustment:
infinitely from minimum reveal
to + 4 mm.

1. Reveal adjustment

Folding door system

- ▶ WingLine 230 / Attached to the side
- ▶ Installation

Installing runner profile / preparing door set



Installation door set

