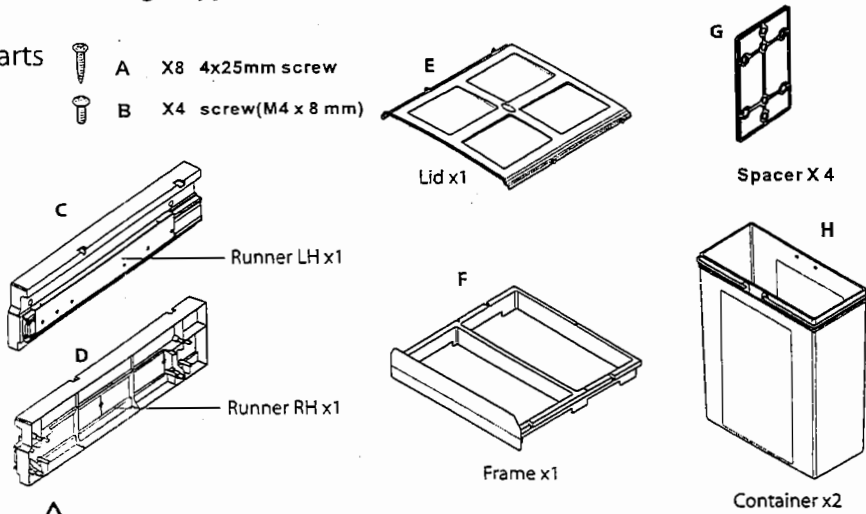


## Fitting instructions

**IMPORTANT** - The unit has a maximum loading limit of 25kg.  
 Bin to suit 500mm wide cabinet using 16-19mm thick carcass material.  
 All fixings supplied must be used for installation.

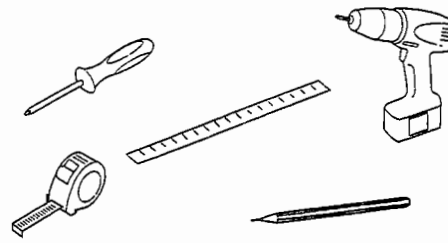
### Parts

- A X8 4x25mm screw
- B X4 screw(M4 x 8 mm)

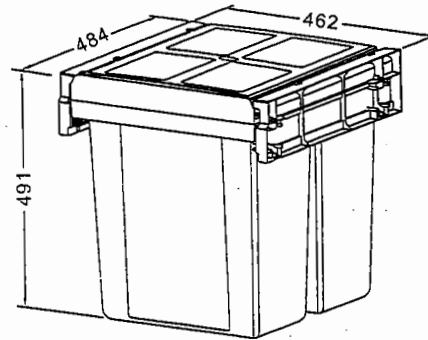


**!** Please ensure that all the above fittings are present before installation begins.

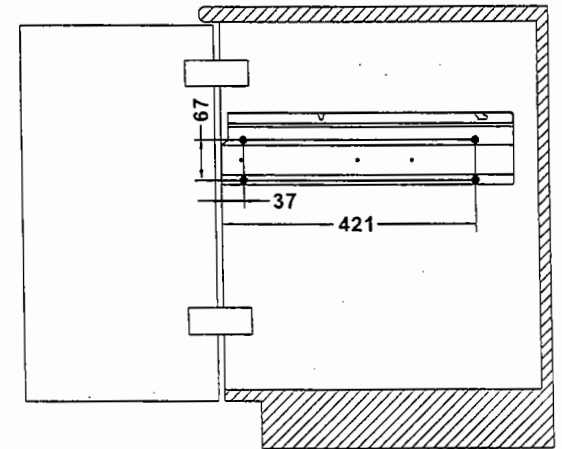
### Tools required



### Dimensions - maximum

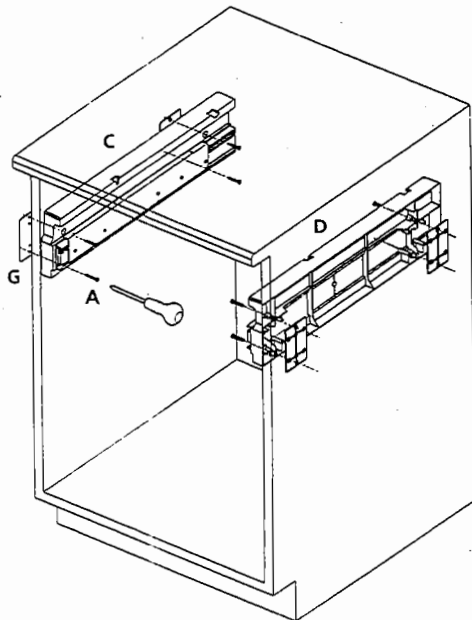


**1** Mark screw positions for runners on both cabinet sides.

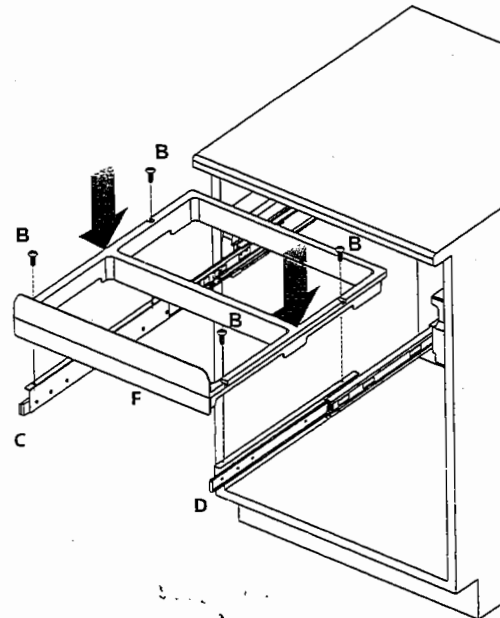


(unit : mm)

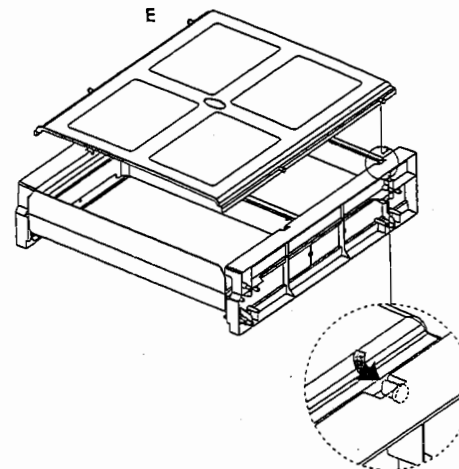
**2** Fit the runners to cabinet sides using screws A.



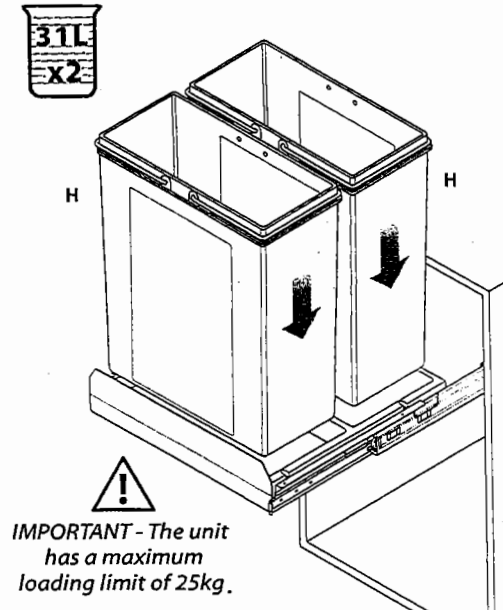
**3** Fit the frame to the runners using screws B.



**4** Fit the lid to the lid brackets.



**5** Fit the containers.



**!** **IMPORTANT** - The unit has a maximum loading limit of 25kg.