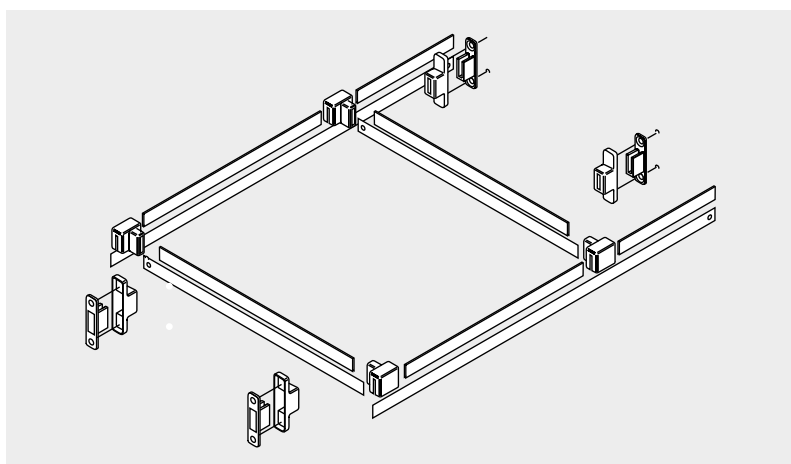


Order information

Description	Part no.
	ZRM.5500



For tilt adjustment, high fronted pull-out
Max. Drawer Depth –550 mm
Max. Cabinet Carcass –600 mm
Material: nylon/steel
Colour: White