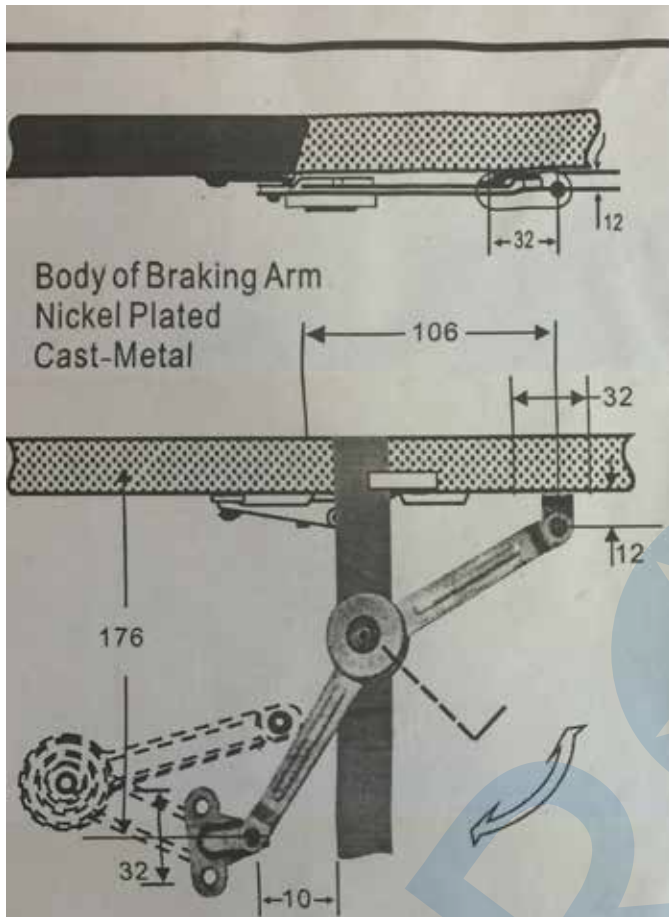
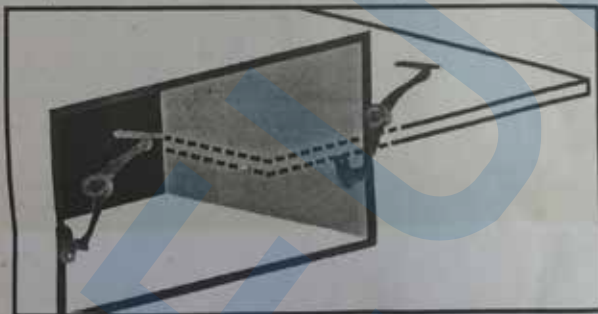


Flap Lift Stays (DS-03)



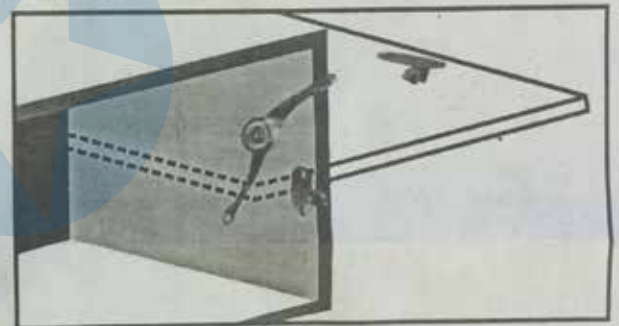
It is possible to install the Braking Arm on both sides.



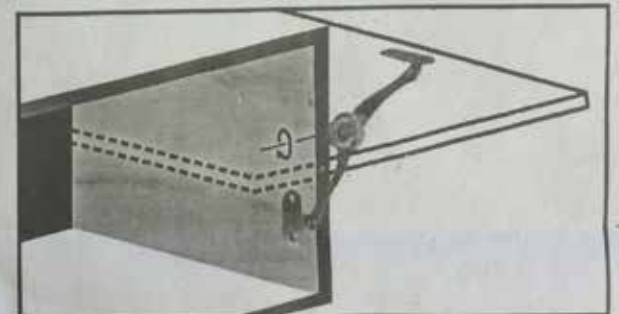
1 Put screws on the stuff you want to install the Braking Arm.



2 Put the body of Braking Arm on the fixing plates.



3 Adjust the screws of the Body of Braking Arm to the point

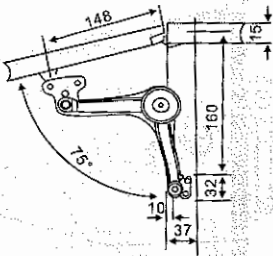


Warning!

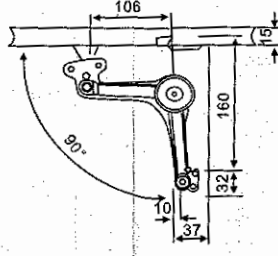
Please don't use lubricating or similar things.
It can interrupt the reaction of the Braking Arm.
Please put the fixing plates well-aligned on the stuff.

Flap Lift Stays (DS-03)

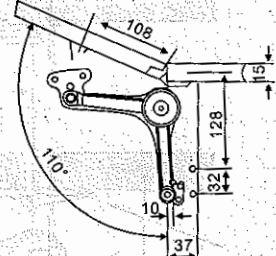
INSTALLATION DIAGRAMMATIC SKETCH



(1). 75° Installation dimension drawing

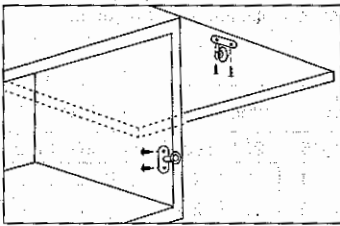


(2). 90° Installation dimension drawing

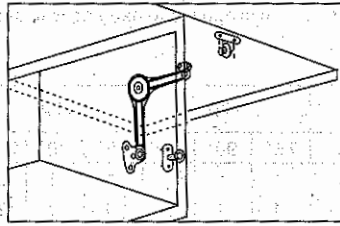


(3). 110° Installation dimension drawing

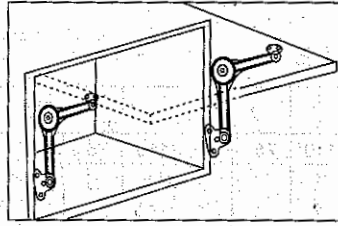
INSTALLATION INSTRUCTION



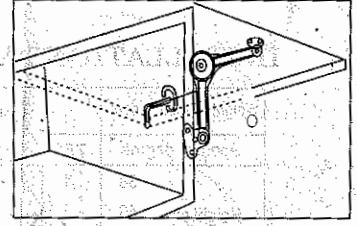
1. Refer to the dimension drawing to install inner and outer joint built-in fittings.



2. Cover with the nylon loop, and joint the folding connecting rod.

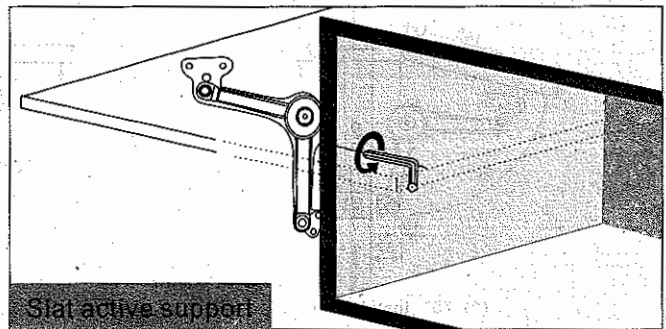
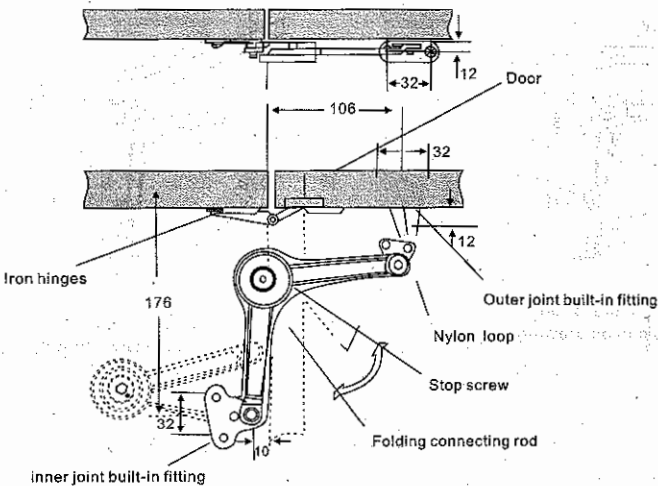


3. Install the supports, and the number of the supports is according to the installation table.



4. After finishing the installation, adjust the stop screw to where the door can stop, and then it can be used normally.

COMPONENTS INSTRUCTION



Slat active support is the upper turning cabinet door of fitment. Specially, it can show the merits of this product in the kitchen fitment. It is the ideal hardware product of engineering completing. Its performance is stable, and its bearing capacity is strong. It has the anti-abrasive characteristic. It is applied to hanging wall cabinet door of kitchen, study room, etc.

INSTALLATION TABLE

Weight of cabinet door	1kg			2kg			3kg			4kg			5kg			6kg			7kg			
	75°	90°	110°	75°	90°	110°	75°	90°	110°	75°	90°	110°	75°	90°	110°	75°	90°	110°	75°	90°	110°	
Opening degree	30	1	1	1	1	1	1	1	1	1	1	1	1	1	1	1	1	1	1	1	1	1
Height of cabinet door (cm)	40	1	1	1	1	1	1	1	1	1	1	2	1	2	2	2	2	2	2	2	2	2
	50	1	1	1	1	1	1	1	2	1	2	2	2	2	2	2	2	-	2	-	-	-
	60	1	1	1	1	1	2	1	2	2	2	2	2	2	-	2	-	-	2	-	-	-
	70	1	1	2	1	2	2	2	2	2	2	-	2	-	-	2	-	-	2	-	-	-