

Door Systems

Pocket Door System

Pocket Door System.....4-1



Bi Folding Door Systems

Cowdroy Bi Folding Door System.....4-2

Hettich Wingline L Door System..4-3

Hettich Wingline 230 Door System.....4-8

Sliding Door Systems

Corna Cabinet Sliding Door Track System..4-9

Cowdroy Cabinet Sliding Door System..4-10

Cowdroy Easy Roller System.....4-11

Cowdroy Wardrobe Sliding System.....4-12

Hettich Slide M System.....4-14



Pocket Door System



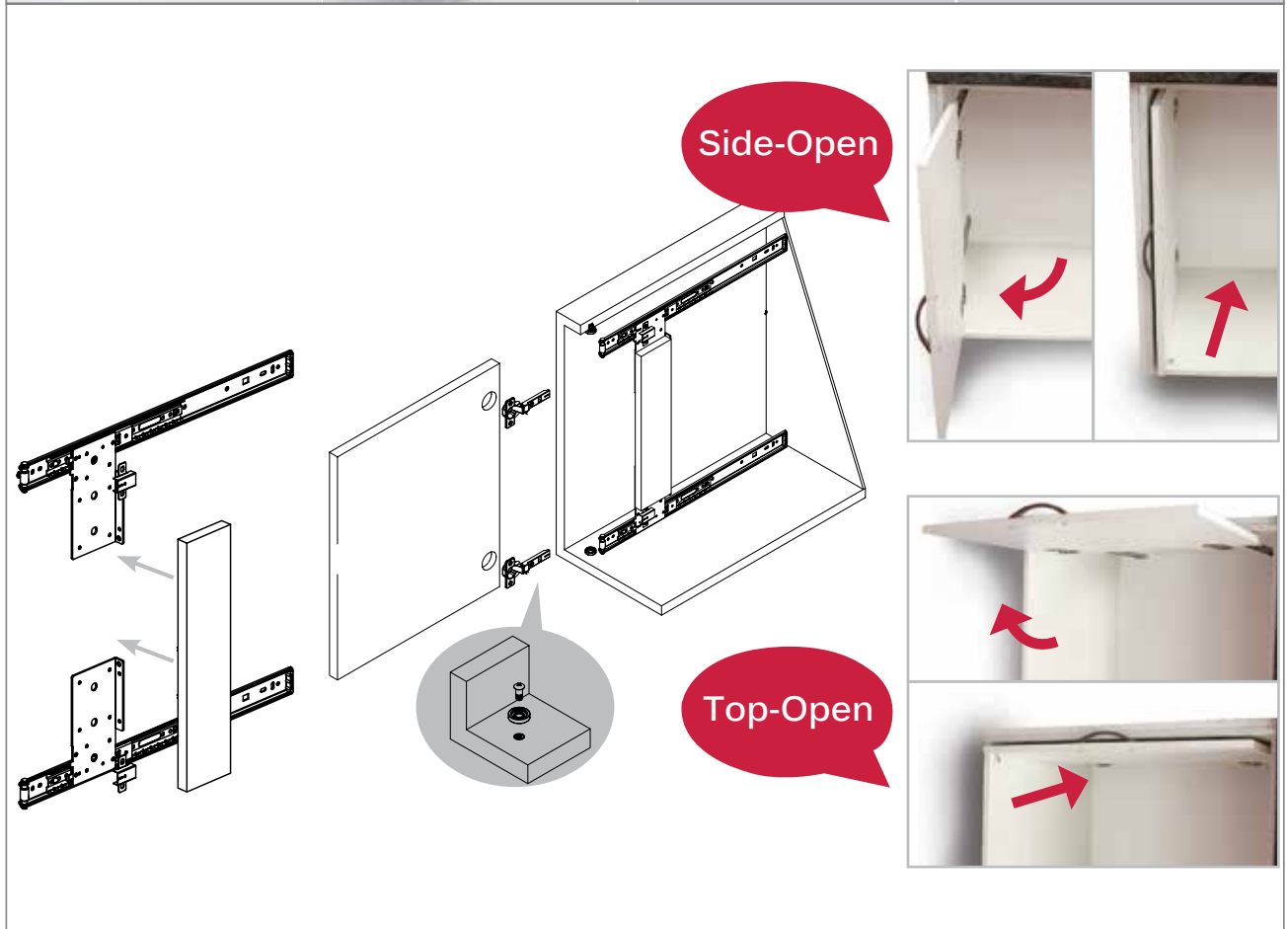
- ★ Door Application: Full Inset
- ★ Side-Open
- ★ Top-Open (1 Extra screw set required)

Please Order: 95° Hinges + 3mm Plates

Load Capacity: 20kg

Colour: Zinc

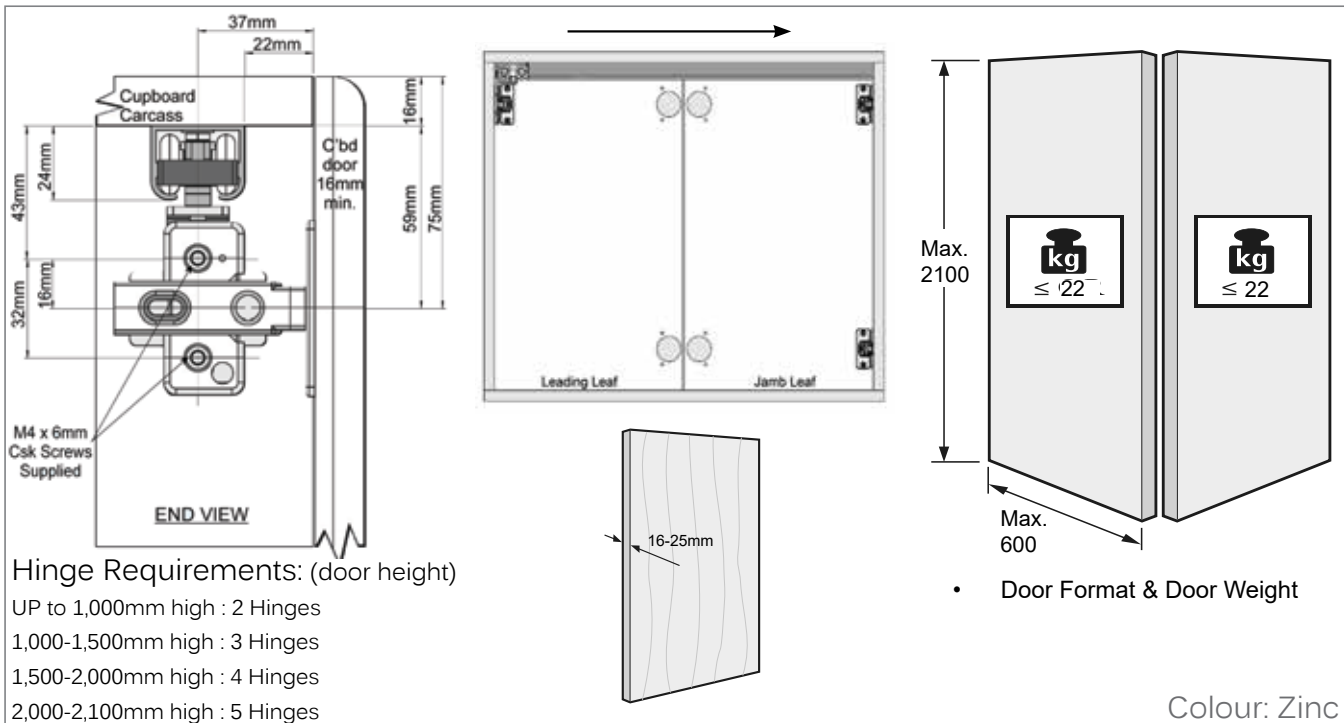
Item No.	Size
RB-01PD-400	400
RB-01PD-450	450
RB-01PD-500	500
RB-01PD-550	550
RB-01PD-Screws	Extra Screw Set



Concealed Bi Fold Door Track System



4 Door Systems



Hinge Requirements: (door height)
 UP to 1,000mm high : 2 Hinges
 1,000-1,500mm high : 3 Hinges
 1,500-2,000mm high : 4 Hinges
 2,000-2,100mm high : 5 Hinges

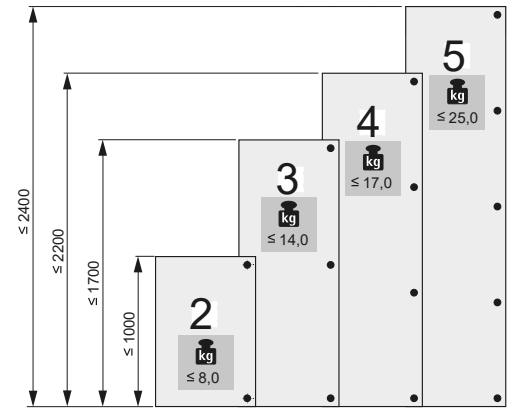
Colour: Zinc

SEQ No.	Item No.	Description
1	RB-04T	Track (Length 2.5m)
2	RB-04W	Wheel
3	FH-3308	Flap Hinge

Sign Up to check prices & order online

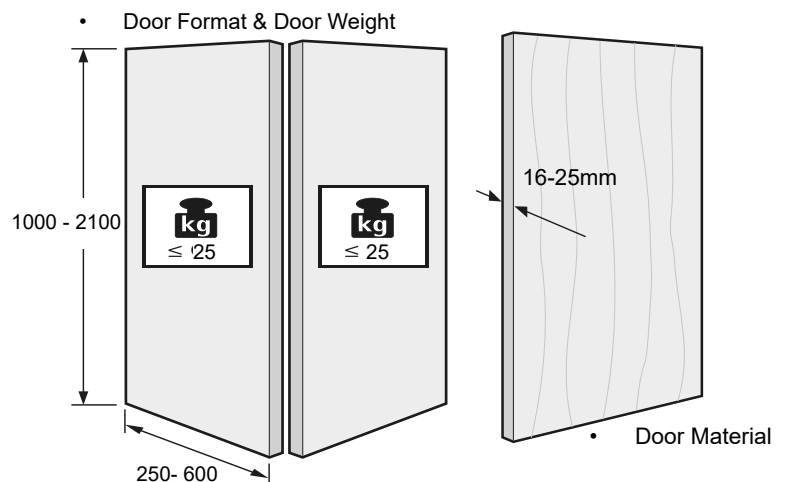
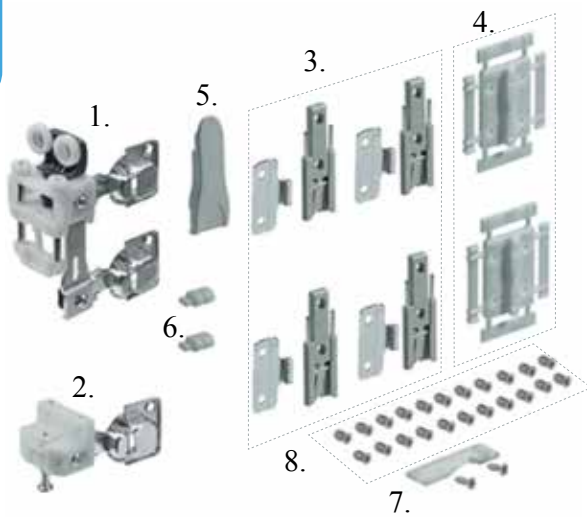


Wingline L Door System



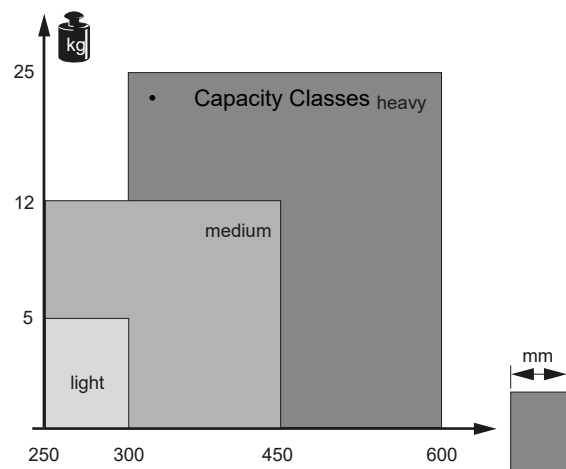
• Recommend number of carcase and folding door hinges

4 Door Systems



Set Comprises:

1. Running component
2. Guide component, only for 25kg set, only needed when bottom guide (optional) is installed
3. Folding door hinges
4. Positioning aids, centre hinges
5. Running component cover
6. Door dampers
7. Stay open element
8. Fixing screws



Sign Up to check prices & order online

www.eurofit.com.au



Runner profile
- Guide profile for installing on the plinth or under the plinth



Push to move / Pull to move
- Mechanical, soft opening of the door panel set
- 3 force options depending on door panel width and weight



Runners
- Tool-less fast installation
- Running component for door panel weight up to 25 kg
- Running component for door panel weight up to 12 kg



Push to move
- Reliably keeps the door closed



Guide component
- Tool-less fast installation
- Installation on the plinth
- Installation under the plinth



Carcase hinges
- Sensys 110° or 95°, with or without self closing feature



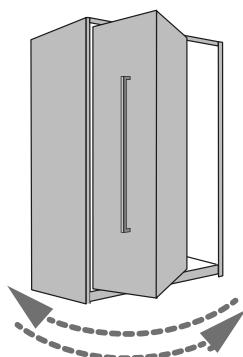
Intelligent installation accessories
- Profile installation
- Positioning centre hinges
- Positioning Push/Pull to move



Centre hinge
- 2 part
- Tool-less fast installation



Wingline L Standard Door System



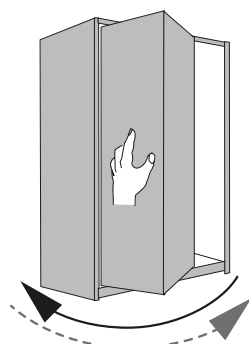
- Pull on handle to open, push to close
- If use SenSys soft closing hinge, door will close softly
- Running component with self closing feature
- Guide component with self closing feature, only for 25kg set, only needed when bottom guide (optional) is installed

Order Recommendation:

Set + Top Profile or Bottom Guide Profile (see page 4-7)

Item No. (Set)	Description	Load Capacity
Hetti-WLL-9237852	Wingline L set, self closing, Left, with guide component	25kg
Hetti-WLL-9237890	Wingline L set, self closing, Right, with guide component	25kg
Hetti-WLL-9237902	Wingline L set, self closing, Right, no guide component	12kg
Hetti-WLL-9237903	Wingline L set, self closing, Left, no guide component	12kg

Wingline L Push to Move Door System



- Push on door front to open, push to close
- must install bottom track
- carcass hinge must be unsprung hinge
- Running component x 1, no self closing feature
- Guide component x 1, no self closing feature

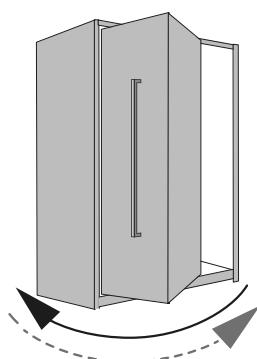
Order Recommendation:

Set + Push to Move Mechanism + Top Profile and / or Bottom Guide Profile (see page 4-7)

Item No. (Set)	Description	Load Capacity
Hetti-WLL-9238113	Wingline L Push to Move Mechanism, Right, Light Duty	5kg
Hetti-WLL-9238102	Wingline L Push to Move Mechanism, Left, Light Duty	5kg
Hetti-WLL-9238101	Wingline L Push to Move Mechanism, Right, Medium Duty	12kg
Hetti-WLL-9238051	Wingline L Push to Move Mechanism, Left, Medium Duty	12kg
Hetti-WLL-9238053	Wingline L Push to Move Mechanism, Right, Heavy Duty	25kg
Hetti-WLL-9238052	Wingline L Push to Move Mechanism, Left, Heavy Duty	25kg
Hetti-WLL-9073665	Sensys Unsprung hinge, Knock in	N/A
Hetti-WLL-9237880	Wingline L set, No self closing, Left, with guide component	25kg
Hetti-WLL-9237881	Wingline L set, No self closing, Right, with guide component	25kg
Hetti-WLL-9237904	Wingline L set, No self closing, Right, with guide component	12kg
Hetti-WLL-9237905	Wingline L set, No self closing, Left, with guide component	12kg



Wingline L Pull to Move Door System



- Slightly pull on the handle, door opens automatically
- Push to close
- Carcass hinge must be unsprung hinge
- Running component, 25 kg max, no self closing feature
- Guide component, no self closing feature, only for 25kg set, only needed when bottom guide (optional) is installed

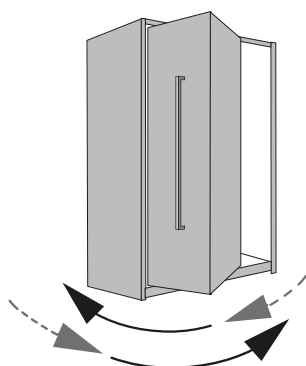
Order Recommendation:

Set + Pull to Move Mechanism + Top Profile and / or Bottom Guide Profile (see page 4-7)

Item No. (Set)	Wingline L Set / Description	Load Capacity	Item No. (Set)	Pull to Move Mechanism	Load Capacity
Hetti-WLL-9237900	No self closing, Right, No guide Component	12kg	Hetti-WLL-9238118	Right, Light Duty	5kg
Hetti-WLL-9237901	No self closing, Left, No guide Component	12kg	Hetti-WLL-9238117	Left, Light Duty	5kg
Hetti-WLL-9237881	No self closing, Right	25kg	Hetti-WLL-9238116	Right, Medium Duty	12kg
Hetti-WLL-9237880	No self closing, Left	25kg	Hetti-WLL-9238115	Left, Medium Duty	12kg
Hetti-WLL-9073665	Sensys Unsprung hinge Knock In	N/A	Hetti-WLL-9238114	Right, Heavy Duty	25kg
			Hetti-WLL-9238125	Left, Heavy Duty	25kg

4 Door Systems

Wingline L Pull to Move Silent Door System



- Slightly pull on the handle, door opens automatically
- Slightly push, door closes softly
- Carcase hinge must be self closing hinge (not soft closing)
- Running component x 1, 25 kg max, with self closing feature
- Guide component x 1, with self closing feature, only for 25kg set, only needed when bottom guide (optional) is installed

Order Recommendation:

Set + Pull to Move Silent Mechanism + Top Profile and / or Bottom Guide Profile (see page 4-7)

Item No. (Set)	Wingline L Set / Description	Load Capacity	Item No. (Set)	Pull to Move Silent Mechanism	Load Capacity
Hetti-WLL-9237902	Self closing, Right, No guide Component	12kg	Hetti-WLL-9238119	Right, Light Duty	5kg
Hetti-WLL-9237903	Self closing, Left, No guide Component	12kg	Hetti-WLL-9238120	Left, Light Duty	5kg
Hetti-WLL-9237890	Self closing, Right, With guide Component	25kg	Hetti-WLL-9238124	Right, Medium Duty	12kg
Hetti-WLL-9237852	Self closing, Left, With guide Component	25kg	Hetti-WLL-9238121	Left, Medium Duty	12kg
			Hetti-WLL-9238122	Right, Heavy Duty	25kg
			Hetti-WLL-9238123	Left, Heavy Duty	25kg

Wingline L Accessories



Item No. (Kits)	Description
Hetti-WLL-9237917	Wingline L TOP profile, 2400mm, silver
Hetti-WLL-9237990	Wingline L BOTTOM guide 2400mm, anodised
Hetti-WLL-9244904	Wingline L TOP profile, 2400mm, white
Hetti-WLL-9244905	Wingline L BOTTOM guide 2400mm, white



Centre hinge component 1+2

- Centre hinge, comprising 2 components
- Tool-less door panel installation
- For easy screw mounting on door panel
- Plastic (component 1), galvanised steel (component 2)

Item No.	Description
Hetti-WLL-9229920	WingLine L Centre hinge, component 1
Hetti-WLL-9236605	WingLine L Centre hinge, component 2



Running Component

- Can be used in standard folding door application without opening mechanism
- Can be used in combination with Pull to move Silent
- With concealed hinges (1 for 12kg, 2 for 25kg)
- +/- 3 mm height adjustment; Steel, nickel plated / plastic

Item No.	Description
Hetti-WLL-9237488	for door wing 12 kg, with self closing, left
Hetti-WLL-9237484	for door wing 12 kg, with self closing, right
Hetti-WLL-9237492(L)	for door wing 25 kg, with self closing, Left
Hetti-WLL-9237493(R)	for door wing 25 kg, with self closing, Right



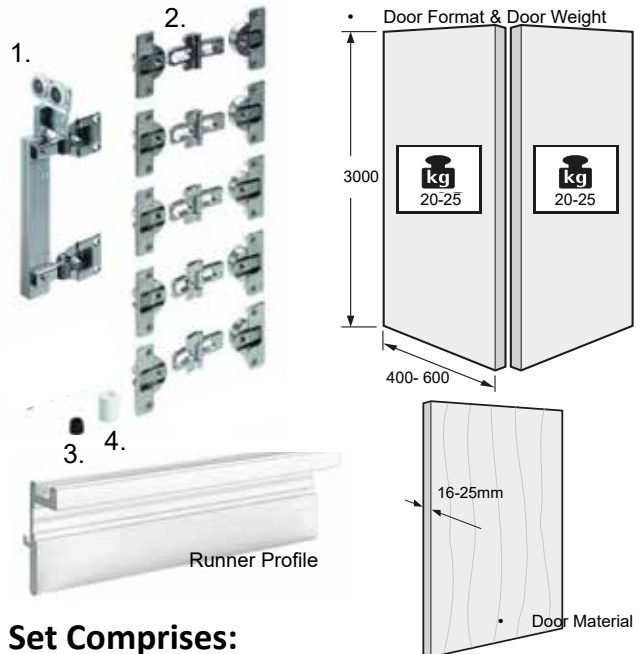
Guide Component

- Can be used in standard folding door application without opening mechanism
- Guide component with 3 runner rollers and 1 concealed hinge
- Can be used in combination with Pull to move Silent
- Installation on or under the plinth; Steel, nickel plated / plastic, grey

Item No.	Description
Hetti-WLL-9237431	self closing, Left, on the plinth
Hetti-WLL-9237432	self closing, Right, on the plinth

Sign Up to check prices & order online

Hettich Wingline 230 Bi Folding Door System (Overlay Door Position)

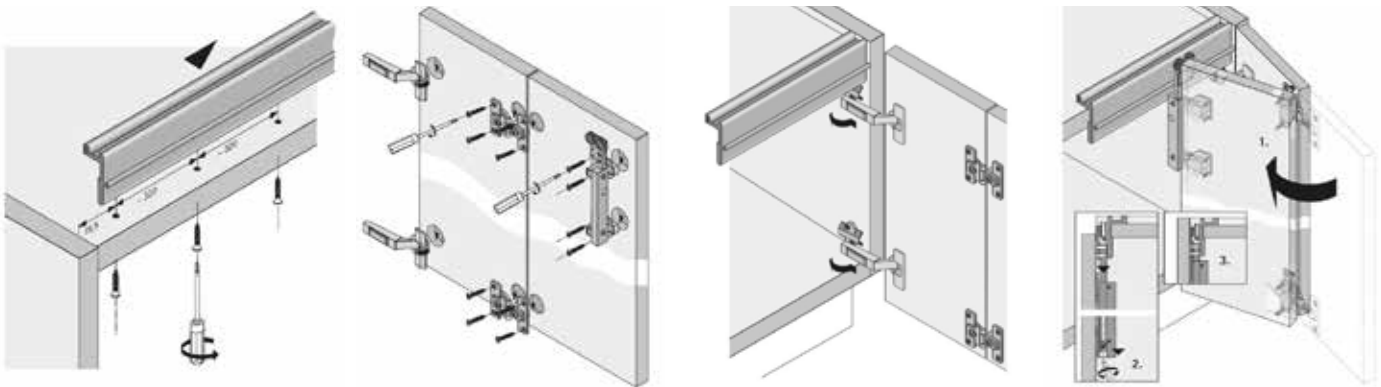


Set Comprises:

1. running components
2. folding door hinges for pressing in
3. Damper on the loose shelf
4. Damper on the runner profile

Order Recommendation:

Set + Runner Profile



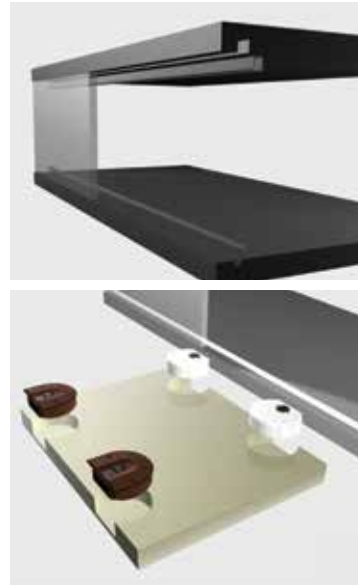
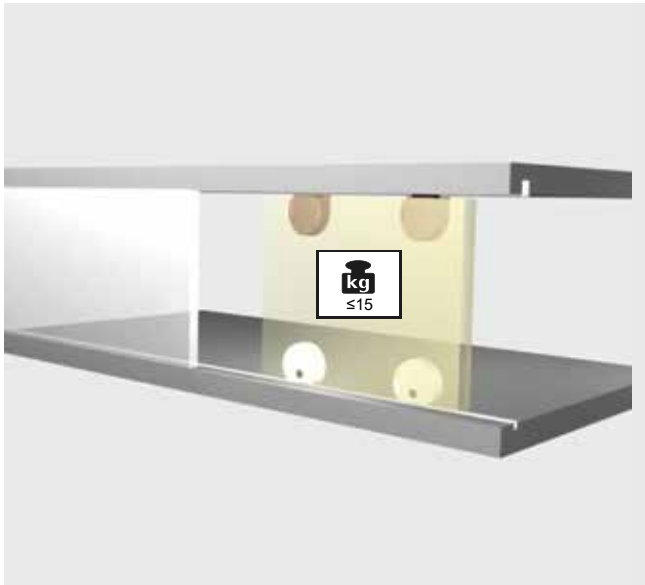
Item No.	Description
Hetti-WL230-10083	WingLine 230 Set (Left)
Hetti-WL230-10084	WingLine 230 Set (Right)
Hetti-WL230-79015	WingLine 230 Set (Left & Right)
Hetti-WL230-1072987	WingLine 230 Running Component (Left)
Hetti-WL230-1072988	WingLine 230 Running Component (Right)
Hetti-WL230-79013	WingLine 230 Runner Profile, 2400mm, White

Sign Up to check prices & order online

www.eurofit.com.au

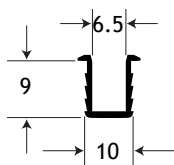
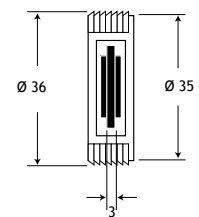
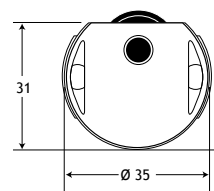
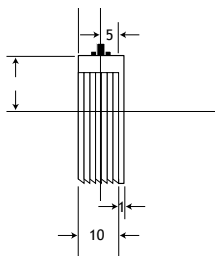
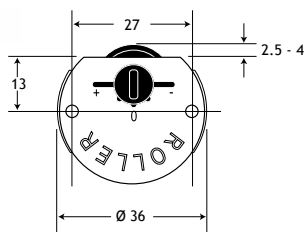


Cabinet Sliding Door Track System

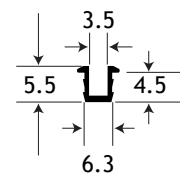


Colour: Black

Item No.	Description
SDL-Top Track	Upper Track (3,600mm)
SDL-Top Guide	Upper Guide (2pcs/door)
SDL-Low Roller	Lower Roller(2pcs/door)
SDL-Low Track	Lower Track (3,600mm)



Sliding Door Upper Track



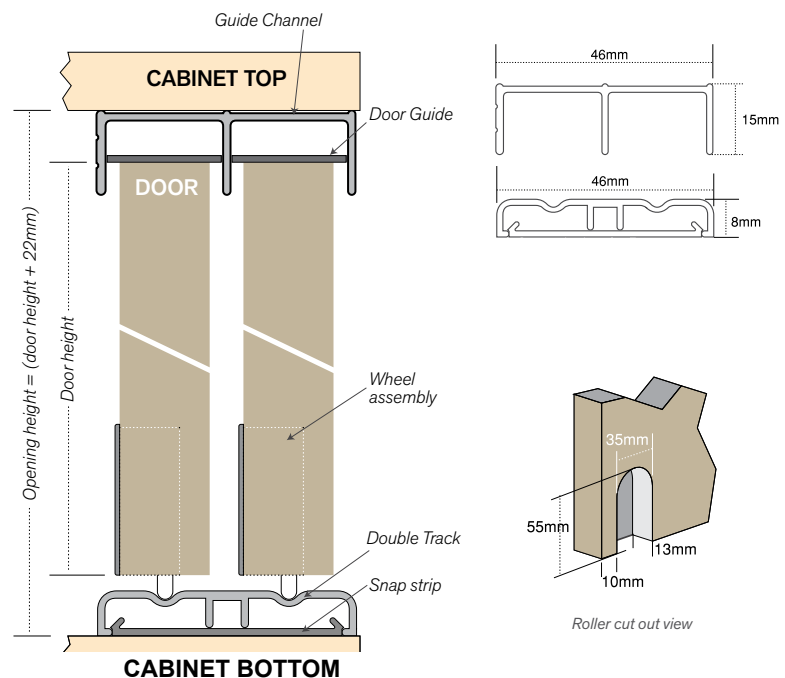
Sliding Door Lower Track

Cabinet Sliding System (Light Duty)



Features:

- Slimline aluminium extrusions pre-finished in clear anodised and powder coat white
- Reversible headguide - grooved face or flush face
- Bottom track snap-fixes to bottom fixing snap strip - no unsightly fixings
- Nylon roller with 10mm height adjustment



Colour: Silver / White

Item No. (Kits)	Description
SDS-System Clear Anodise	1,800mm Track, 3-Door Set / Silver
SDS-System White	1,800mm Track, 3-Door Set / White
SDS-Bottom Wheel	Cabinet adjustable roller sheave each piece
SDS- Door Guide	Cabinet Top Guide each piece

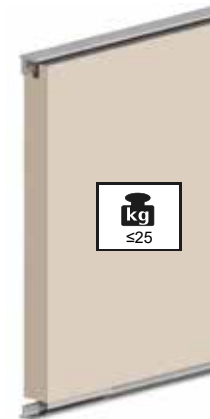
Sign Up to check prices & order online

www.eurofit.com.au

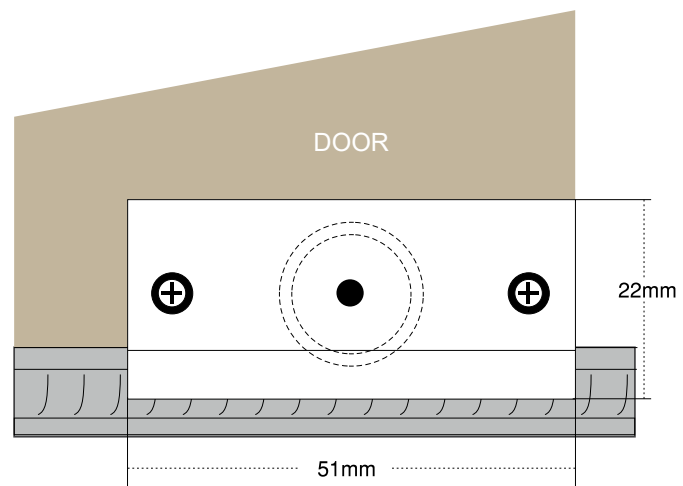
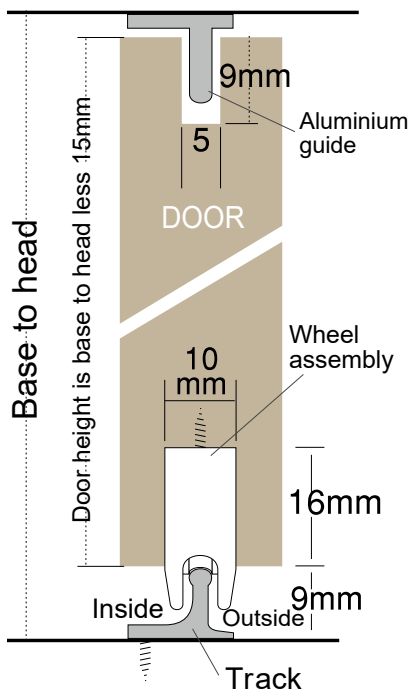
4-10

T: 03 8592 1955

Sliding Cupboard Door Track System (Easy Roller)



- Multiple doors in bottom rolling application
- Acetal wheel for silent and smooth sliding
- Moulded nylon carrier block
- Track/head guide - extruded aluminium
- Min. Door Thickness: 12mm



Aluminium guide



Wheel assembly



Aluminium track

Item No.	Description
ER-Top Guide	Aluminium Guide, 2500mm
ER-Wheel Assembly	Wheel Assembly
ER-Bottom Track	Aluminium Track, 2500mm

crowdroy

Wardrobe Sliding System



1. Top Track

2. Bottom Track

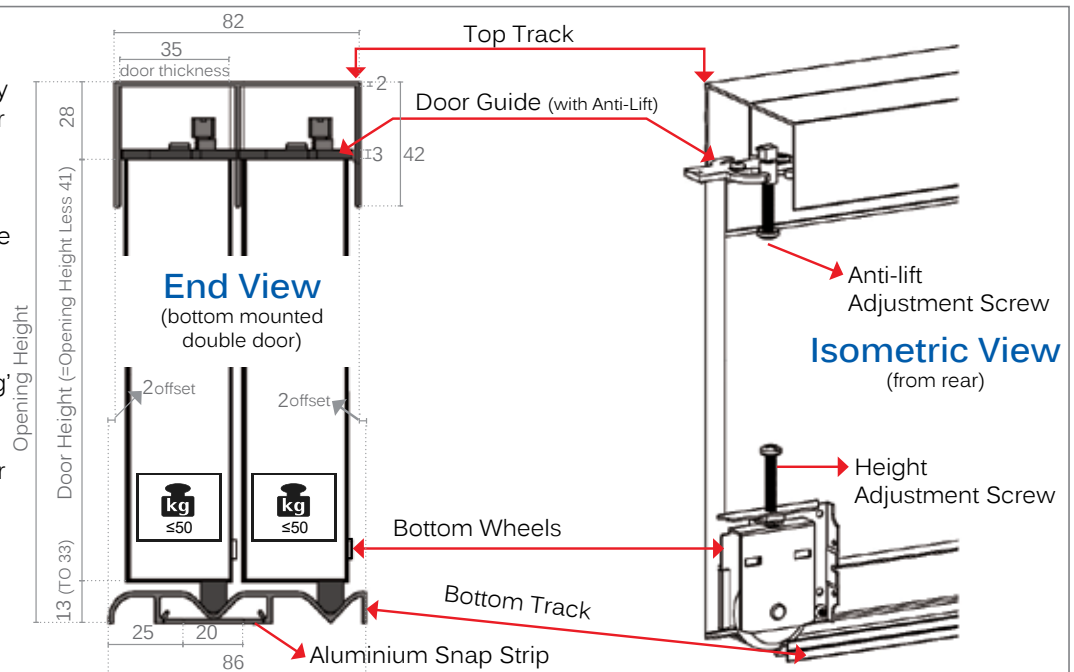
3. Snap Strip

4. Bottom Wheel

5. Door Guide

Features:

- Adjustable Roller Assembly locates easily into the rear of the door frame
- Height adjustment screw is fully accessible for convenient in-situ adjustment
- Anti-lift screw to eliminate 'door jumping'
- Can also be used with 19mm thick timber doors by excluding the mirror framing and fixing the adjustable roller assemblies directly to the rear of the door



Colour: White/ Sliver

★ Tracks Available In 5,000mm Length (*Pick Up Only)

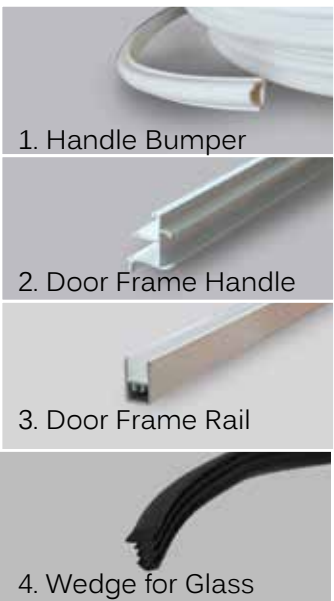
SEQ No.	Item No.	Description
1	SDW-Top Track	Top Track 2,500mm, White
2	SDW-Top Track Clear Anod	Top Track 2,500mm, Silver
3	SDW-Bottom Track	Bottom Track 2,500mm, White
4	SDW-Bottom Track Clear Anod	Bottom Track 2,500mm, Silver
5	SDW-Snap Strip	Snap Strip 2,500mm
6	SDW-Bottom Wheel	Bottom Wheel (2pcs per door)
7	SDW-Door Guide	Door Guide with Anti-lift Screw (2pcs per door)

Sign Up to check prices & order online

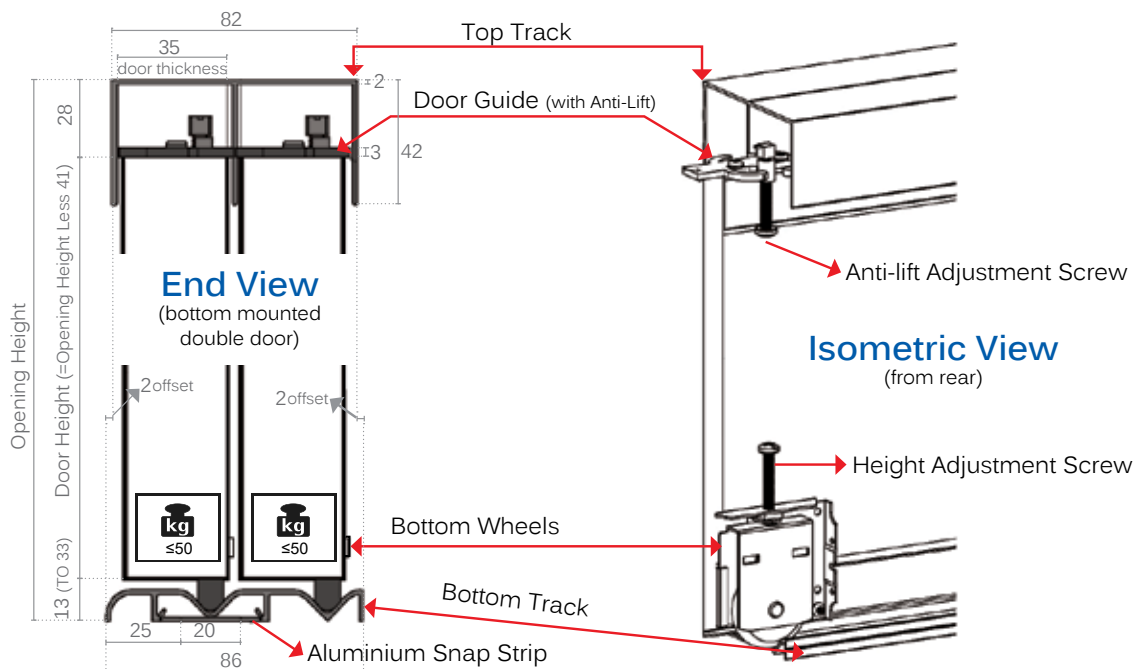
Additional Accessories for Mirror Robe Sliding System



*Please order Top/ Bottom Track, Snap Strip, Door Guide and Bottom Wheels per page 4-14



4 Door Systems



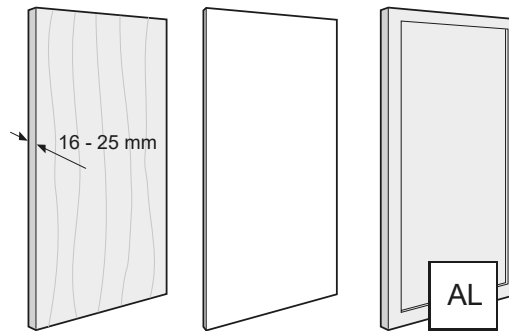
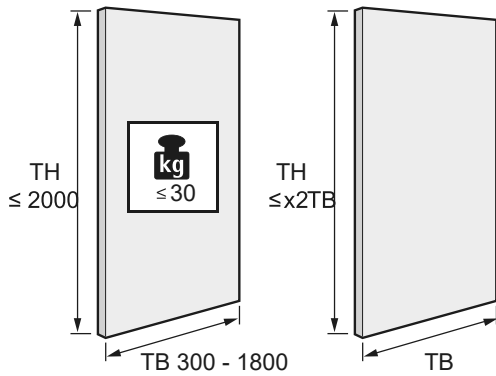
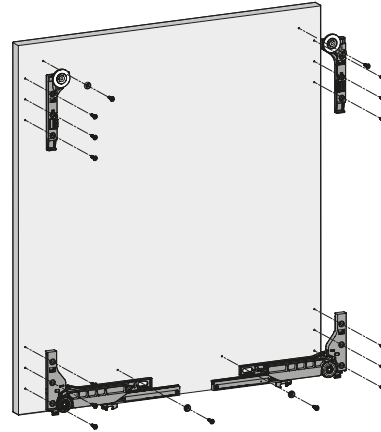
Colour: White

★ Tracks Available In 5,000mm Length (*Pick Up Only)

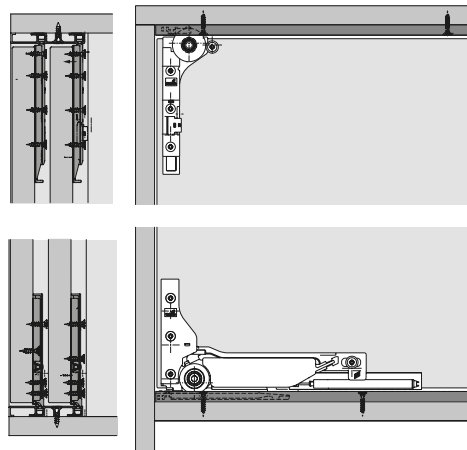
SEQ No.	Item No.	Description
1	SDM-H/Bump	Handle Bumper (100 Metre Roll)
2	SDM-H/Handle	M-Robe Frame Upright Handle 2,500mm, Aluminium
3	SDM-D/Rail	M-Robe Frame Top/Bottom Rail 2,500mm, Aluminium
4	SDM-Wedge	PVC Glassing Wdge for 4mm Glass (20 Metre Roll)

Sign Up to check prices & order online

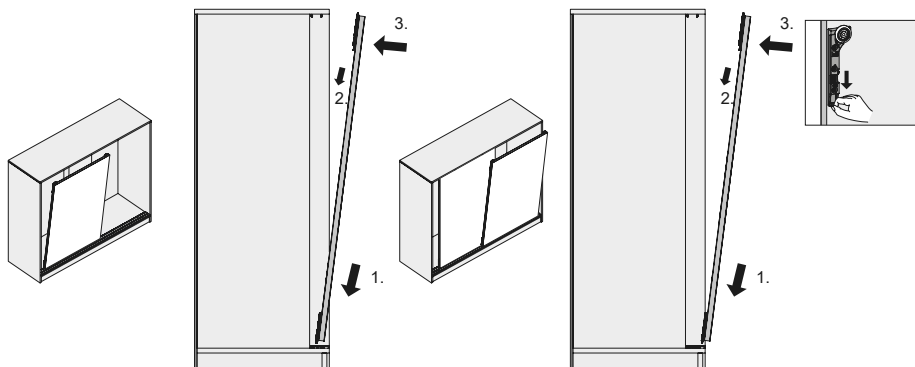
Hettich Slideline M System (Inset Door Position)



TB	300	400	500	600	700	800	900	1000	... 1800
TH ≤	600	800	1000	1200	1400	1600	1800	2000	... 2000



Silent System				
	1-door	2-door	3-door	
Soft closing				
Soft opening				
Soft colliding				



Hettich Slideline M System Components (Inset Door Position)



Set of fittings for doors with Silent System (soft closing, soft opening and soft colliding)



- Set contains all the components required for 1 sliding door framed in wooden or 55 mm aluminium profiles with Silent System
- The set of fittings can be used without an additional upgrade set
- Suitable sheet metal screws must be used for installing the running and guide components on the 55 mm aluminium frame

Set comprises:

- 2 running components with Silent System
- 2 guide components
- 2 activators
- 2 end stops, top
- 2 guide bushes
- 1 Silent System in colliding direction
- 1 1.5 mm hexagon socket spanner
- Fixing screws for wooden doors

*Please order profiles separately

Item No.	Door Type	Door Width (min.)
Hetti-SlideM-9156338	Wooden doors, 55 mm aluminium framed door	450

Set of fittings for doors without Silent System



- Set contains all the components required for 1 sliding door framed in wooden or 55 mm aluminium profiles without Silent System
- The set of fittings can be used without an additional upgrade set
- Suitable sheet metal screws must be used for installing the running and guide components on the 55 mm aluminium frame

Set comprises:

- 2 running components without Silent System
- 2 guide components
- 2 end stops, bottom
- 2 end stops, top
- 4 guide bushes
- 1 1.5 mm hexagon socket spanner
- Fixing screws for wooden doors

*Please order profiles separately

Item No.	Door Type	Door Width (min.)
Hetti-SlideM-9156339	Wooden doors, 55 mm aluminium framed door	300

2-track runner profile for screwing on / gluing on



- Set contains all the profile components required for a 2-door or a 3-door cabinet
- Attachment in the screw slot or attachment using suitable adhesive tape

Set comprises:

- 2 runner profiles, aluminium, silver anodized
- 2 mounting adapters

Advice

- Please order fitting sets separately
- Screws used for attachment in the screw slot must be ordered separately
- Adhesive tape for glue mounting must be ordered separately

Item No.	Description
Hetti-SlideM-9227245	Runner Profile 2500mm

Sign Up to check prices & order online