

Door Stays

Lift Up Stays

Lamp Soft Closing Stays.....	8-1
Blum Aventos HF.....	8-2
Blum Aventos HK.....	8-2
Blum Aventos HL.....	8-3
Blum Aventos HS.....	8-3
Flap Stays.....	8-4
Gas Stays.....	8-4



Drop Down Stays

Standard Drop Down Stay.....	8-4
Lapton Soft Down Stay	
- Min. Internal Height 90mm.....	8-5
- Min. Internal Height 140mm.....	8-5
- Min. Internal Height 225mm.....	8-6
Lapton Soft Down Stay	
- Toy Box Application.....	8-6



LAMP.

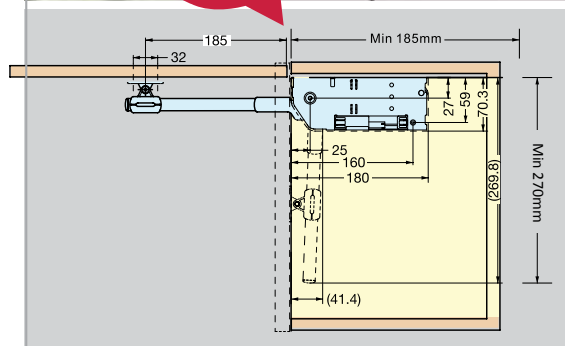
Soft Closing Lift-Up Stays



Just Flush to Corner

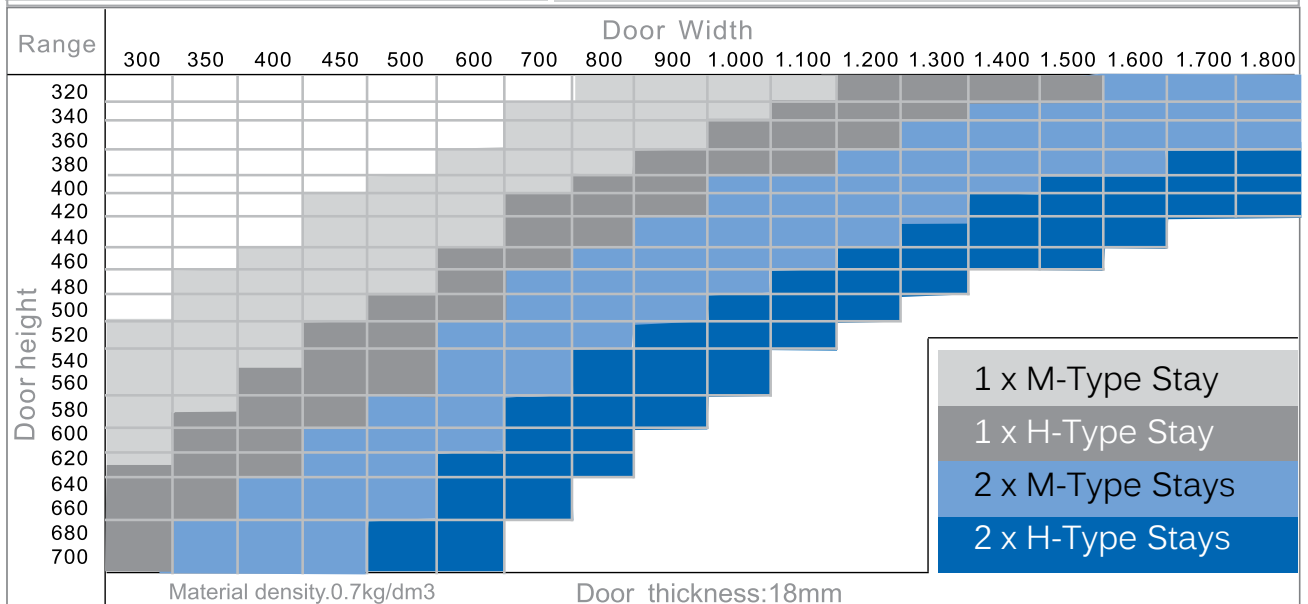
* Stay At Any Position

Soft Closing



Item No.	Weight	Unit	Carton Qty
JP_SLS_ELAN_ML	Medium	Left	20
JP_SLS_ELAN_MR	Medium	Right	20
JP_SLS_ELAN_HL	Heavy	Left	20
JP_SLS_ELAN_HR	Heavy	Right	20

★ Suitable For Unit Or Pair Use
(Refer To Diagram Below)



1 x M-Type Stay
 1 x H-Type Stay
 2 x M-Type Stays
 2 x H-Type Stays

∞ Door Stays

Sign Up to check prices & order online

Aventos HF Bi-Fold Lift

* Please provide door size (width, height and thickness), we will work out the required components for you.



Carcass Width	Carcass Height
Up to 1800mm	480-1040mm



One Set HF Comprising Of:

- HF Lift Mechanism x 1
- HF Telescopic Arm x 1
- HF Cover Plate (White or Grey) x 1
- HF Hinge Set x 1

Lift Mechanism Options:

- 2200 Lift Mechanism
- 2500 Lift Mechanism
- 2800 Lift Mechanism

Telescopic Arm Options:

- 3200 Telescopic Arm
- 3500 Telescopic Arm
- 3800 Telescopic Arm
- 3900 Telescopic Arm

Hinge Set Options:

- Inserta
- Screw On

Aventos HK-Top Lift-Up Stay

* Please provide door size (width, height and thickness), we will work out the required components for you.



Carcass Width	Carcass Height
Up To 1800mm	Up To 600mm

One Set HK-Top Comprising Of:

- HK-Top Lift Mechanism x 1
- Aventos Front Fixing Bracket x 1
- HK-Top Cover Cap (White or Grey) x 1

Lift Mechanism Options:

- 2300 Lift Mechanism
- 2500 Lift Mechanism
- 2700 Lift Mechanism
- 2900 Lift Mechanism

Aventos Front Fixing Bracket Options:

- Wooden Front & Wide Aluminium Frames 20S4200
- Narrow Aluminium Frames 20S4200A

★ Tip On Optional

Aventos HL Lift

* Please provide door size (width, height and thickness), we will work out the required components for you.



Carcass Width	Carcass Height
Up to 1800mm	300-580mm

One Set HL Comprising Of:

- HL Lift Mechanism x 1
- HL Lever Arm x 1
- Aventos Front Fixing Bracket x 1
- HL Cover Plate (White or Grey) x 1
- HL Stabiliser (optional)

Lift Mechanism Options:

- 2100 Lift Mechanism
- 2300 Lift Mechanism
- 2500 Lift Mechanism
- 2700 Lift Mechanism
- 2900 Lift Mechanism

Lever Arm Options:

- 3200 Lever Arm
- 3500 Lever Arm
- 3800 Lever Arm
- 3900 Lever Arm

Aventos Front Fixing Bracket Options:

- Wooden Fronts and Wide Aluminium Frames **20S4200**
- Narrow Aluminium Frames **20S4200A**

Aventos HS Up & Over Lift

* Please provide door size (width, height and thickness), we will work out the required components for you.



Carcass Width	Carcass Height
Up to 1800mm	350-800mm

One Set HS Comprising Of:

- HS Lift Mechanism x 1
- Aventos Front Fixing Bracket x 1
- HS Cover Plate (White or Grey) x 1
- HS Stabiliser (optional)

Lift Mechanism Options:

- 20S2A00 HS Lift Mechanism
- 20S2B00 HS Lift Mechanism
- 20S2C00 HS Lift Mechanism
- 20S2D00 HS Lift Mechanism
- 20S2E00 HS Lift Mechanism
- 20S2F00 HS Lift Mechanism
- 20S2G00 HS Lift Mechanism
- 20S2H00 HS Lift Mechanism
- 20S2I00 HS Lift Mechanism

Aventos Front Fixing Bracket Options:

- Wooden Front & Wide Aluminium Frames **20S4200**
- Narrow Aluminium Frames **20S4200A**

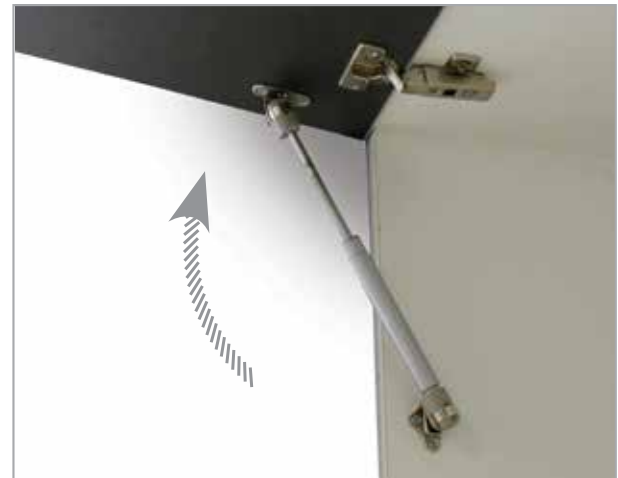
Flap Lift-Up Stays



** Stop At Any Position*

Item No.	Load Capacity	Carton Qty
DS-03	5kg	50

Gas Lift-Up Stays



Item No.	Load Capacity	Carton Qty
DS-04-80N	6kg	10
DS-04-100N	8kg	10
DS-04-120N	10kg	10
DS-04-150N	13kg	10

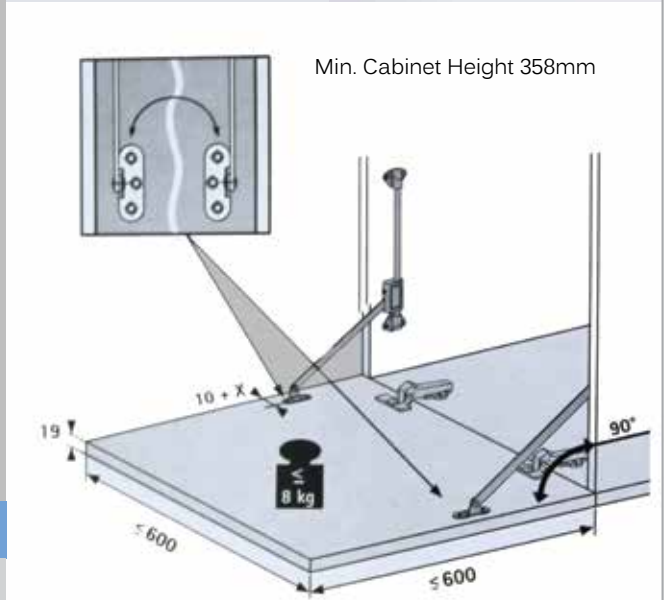
Drop Down Stays



Item No.	Colour
DS-02	Zinc Alloy

** Push Open Optional*

★ Refer To Page 4-10 or 4-11 For Push Open Pistons



Min. Cabinet Height 358mm

10 + X

19

≤ 600

≤ 600

90°

8 kg

8 Door Stays



Drop Down Stays (Compact)



Item No.	Colour	Carton Qty
JP_CSD-10TV-L	White	20

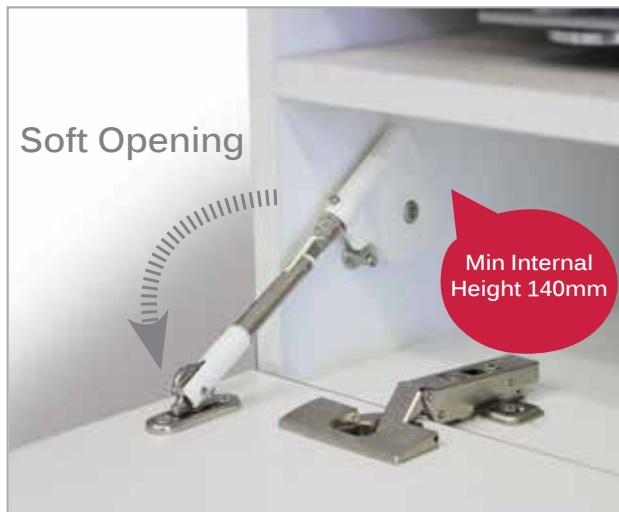
*** Push Open Optional**

★ Refer To Page 5-17 For Push Open Pistons

WITH DROP HINGE

WITH SINGLE KNUCKLE HINGE

Drop Down Stays (Short Arm)



Item No.	Colour	Carton Qty
JP_SDS-C100-TV	White	20

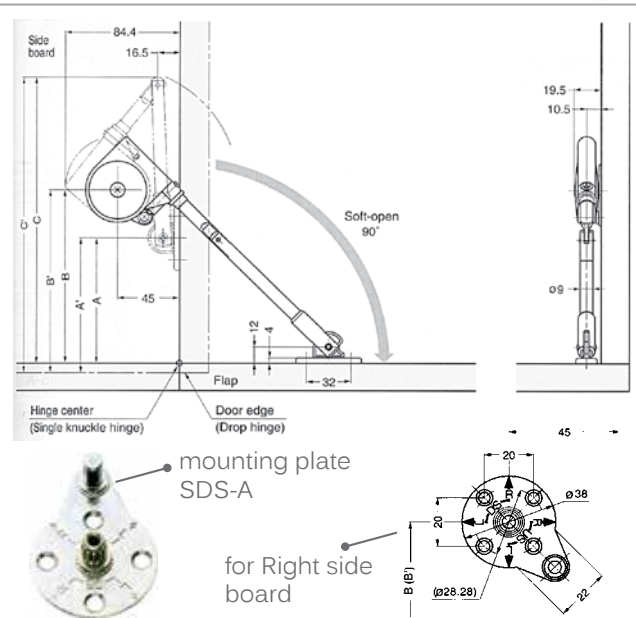
Hinge Type	A	B	C	D
single knuckle hinge	60	73	-	-
drop hinge	-	-	49+s	62+s

Torque Calculation:
 Torque = Door Height x Door Weight / 20
 per piece: 5~12kg. mm
 per pair: 10~24kg. mm

Sign Up to check prices & order online



Drop Down Stays

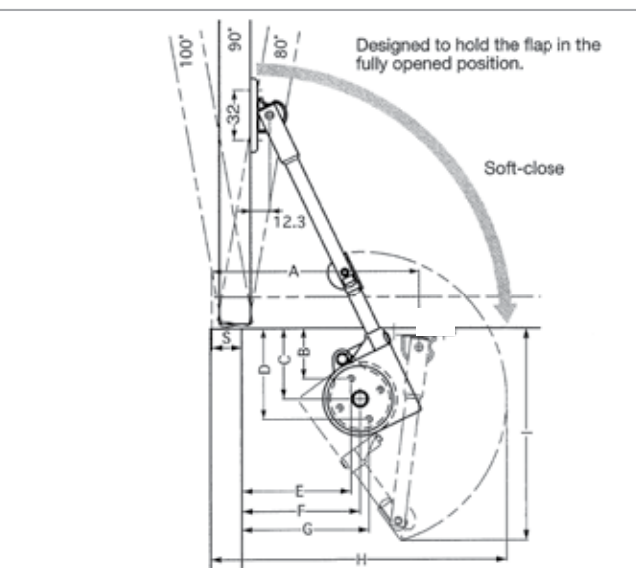


Item No.	Colour	Carton Qty
JP_SDS-C100	White	20

Torque Calculation:
 Torque = Door Height x Door Weight / 20
 per piece: 35~50kg. mm
 per pair: 70~100kg. mm

Hinge Type	A	A'	B	B'	C	C'
single knuckle hinge	100	-	135	-	218	-
drop hinge	-	107	-	142	-	225

Drop Down Stays



Item No.	Colour	Carton Qty
JP_SDS-C301N	White	20

Opening Angle	A	B	C	D	E	F	G	H	I
80°	141	31.9	45	58.1	98.2-s	103.5-s	108.8-s	197.5	134.8
90°	132.5	32.3	45	57.7	88.7-s	95-s	101.3-s	189	134.8
100°	126.5	32.9	45	57.1	81.2-s	88.5-s	95.8-s	182.5	134.8

Sign Up to check prices & order online