

Wire Baskets

Corner Cupboard Solutions

- Pull Out Lazy Susan.....2-1
- 270 Degree Lazy Susan.....2-2

Blind Corner Solutions

- 180 Degree Lazy Susan.....2-4
- With Revolving Trays.....2-5
- All Baskets Pull out.....2-7
- Door Mounted.....2-9

Wire Pull Out Baskets

- Premium Range.....2-11
- Standard Range.....2-12

Spice Bottle Racks

- To Suit Cabinet Width 150mm.....2-13
- To Suit Cabinet Width 200mm.....2-16
- To Suit Cabinet Width 300mm.....2-18
- To Suit Cabinet Width 400mm.....2-20
- To Suit Cabinet Width 450mm.....2-21

Tea Towel Racks and Glass Racks

- Pull Out Tea Towel Racks.....2-22
- Glass Racks.....2-22

Gourmet Pantry Units

- Premium Range.....2-23
- Standard Range.....2-26

Larder Unit

- Premium Range.....2-28
- Standard Range.....2-29

Laundry Accessories

- Laundry Baskets.....2-31
- Ironing Boards.....2-32

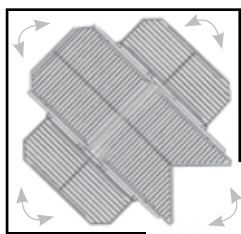


Corner Cupboard Solutions

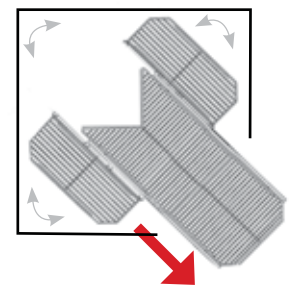
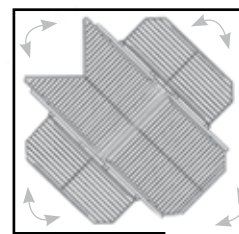
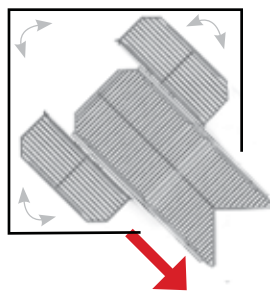
Wire Baskets
2



- * Easy To Install
- * Revolving
- * Pull Out From Both Sides



Closed



Pull Out Lazy Susan

Item No.	Basket Size	Cabinet Height (Inner)	Cabinet Width (outside to outside)
WLS-243	2pcs: W355 x D750 x H105 4pcs: W450 x D190 x H90	650 ~ 750	900

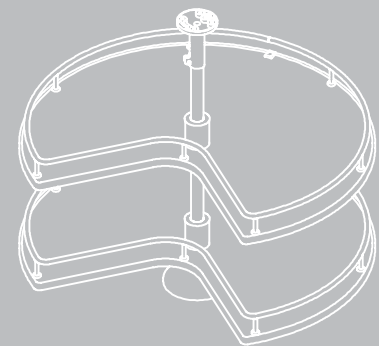
Sign Up to check prices & order online

www.eurofit.com.au

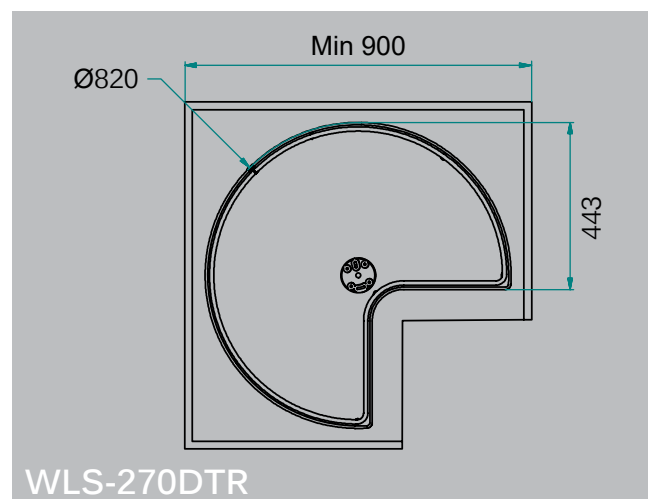
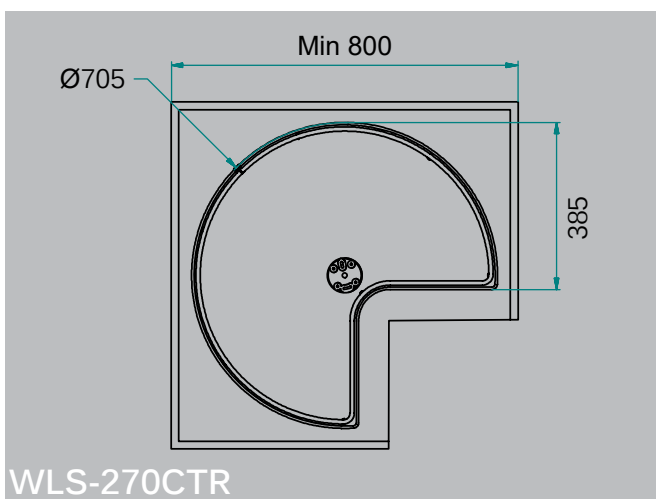
Corner Cupboard Solutions



- * *Independently Rotating Trays*
- * *Melamine Trays*
- * *Anti-Slip Surface*
- * *Height Adjustable*
- * *Soft Clip Positioning*



Wire Baskets
2



270 Degree Lazy Susan

Load Capacity: 15kg Per Tray

Item No.	Basket Size	Inner Cabinet Height (min - max)	Min. Cabinet Width (outside to outside)
WLS-270CTR	Ø705	665~700	800
WLS-270DTR	Ø820	665~700	900

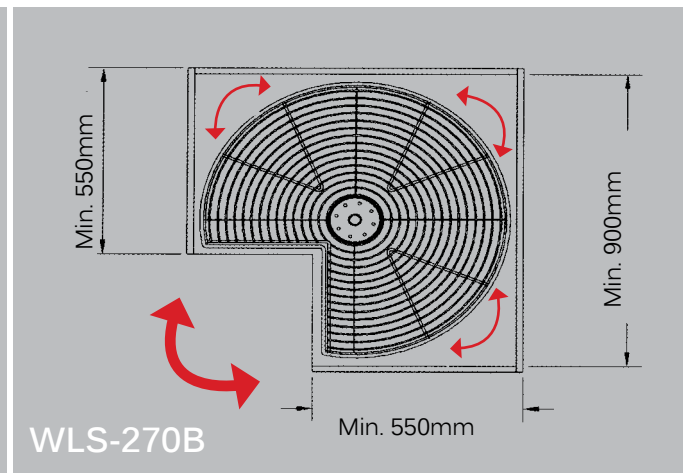
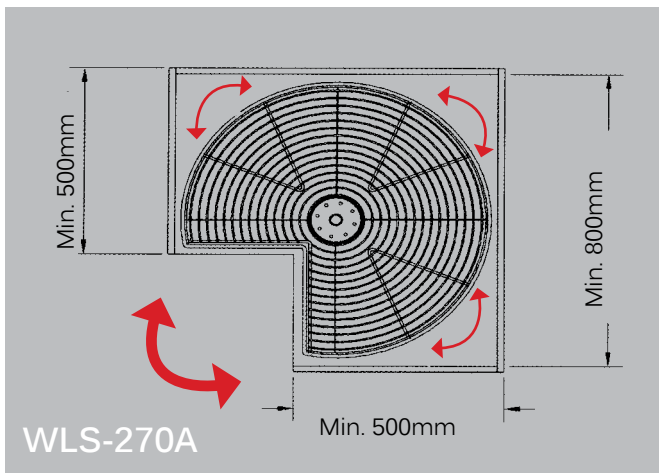
Sign Up to check prices & order online

Corner Cupboard Solutions

Wire Baskets
2



* Height Adjustable
* 360° Revolving



270 Degree Lazy Susan

Item No.	Basket Size	Cabinet Height (Inner)	Cabinet Width (outside to outside)
WLS-270A	Ø 720 x H95	650 ~ 800	800
WLS-270B	Ø 820 x H95	650 ~ 800	900

Sign Up to check prices & order online

www.eurofit.com.au

Blind Corner Solutions

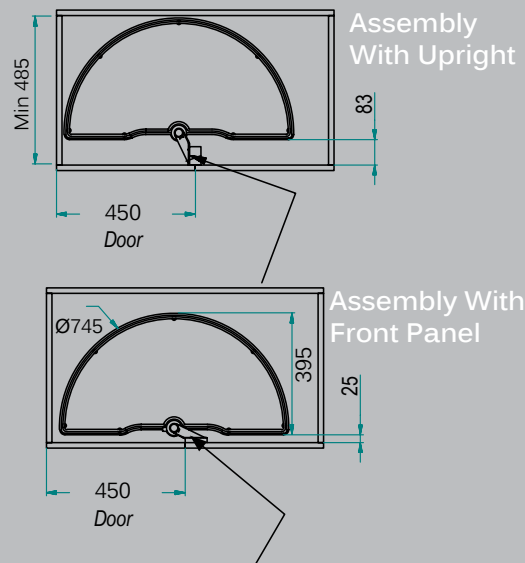
180 Degree Lazy Susan

Load Capacity: 15kg Per Tray



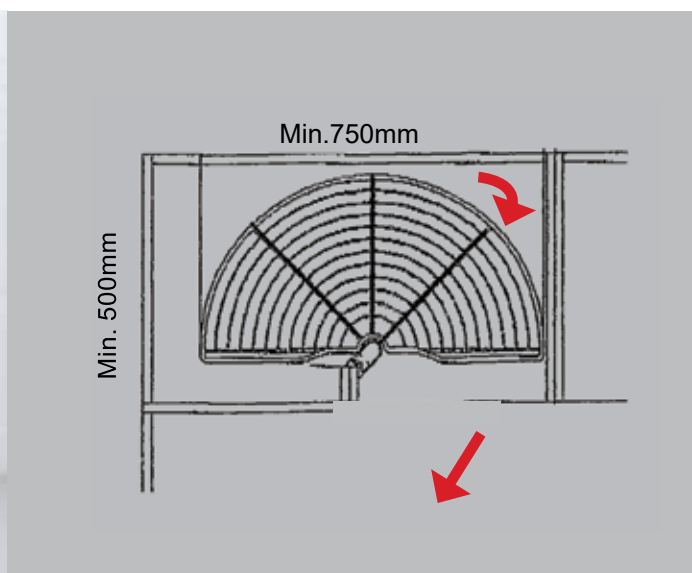
Made In Italy

- * *Independently Rotating Trays*
- * *Melamine Trays*
- * *Anti-Slip Surface*
- * *Height Adjustable*



Wire Baskets
2

Item No.	Min. Door Width	Min. Cabinet Height (Inner)	Min. Cabinet Width (Inner)
WLS-180BTR	450	640	750



Item No.	Min. Door Width	Basket Size	Cabinet Width (inner)
WLS-180	450	W740 x D394 x H95	750

Sign Up to check prices & order online



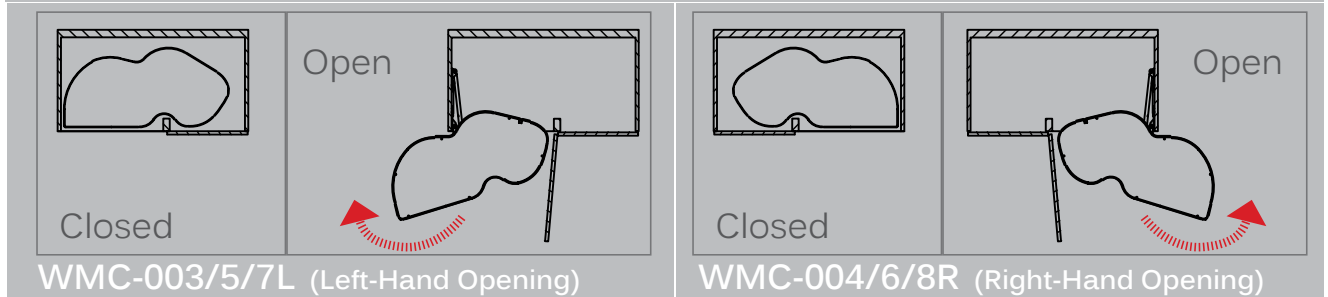
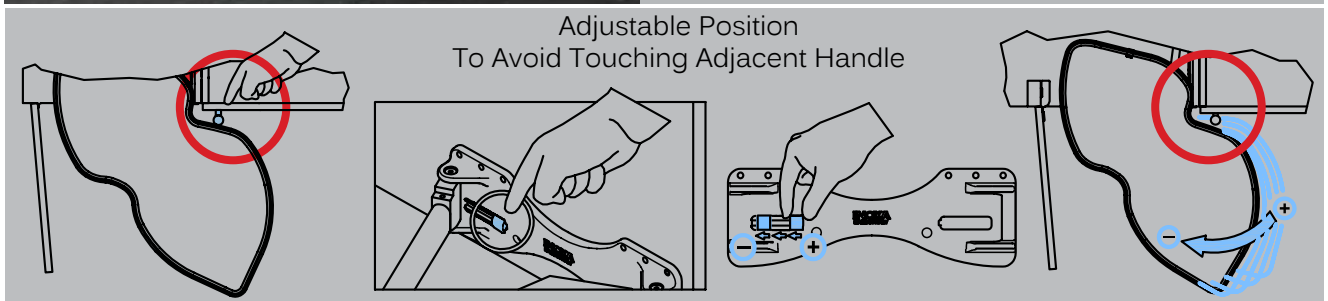
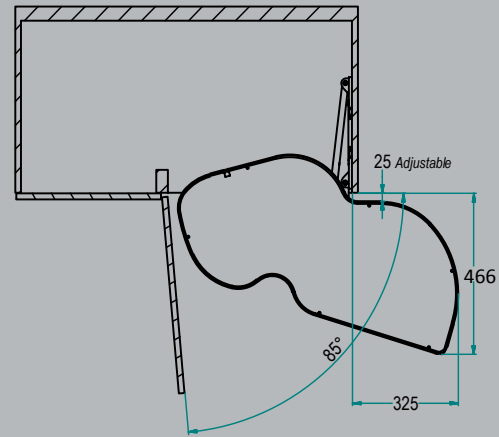
Blind Corner Solutions

Wire Baskets

2



- * Quick Installation (5 Minutes)
- * Side Panel Installation
- * Each Tray Installed Independently
- * Melamine Trays
- * Anti-Slip Surface



With Revolving Trays

Load Capacity: 20kg Per Tray

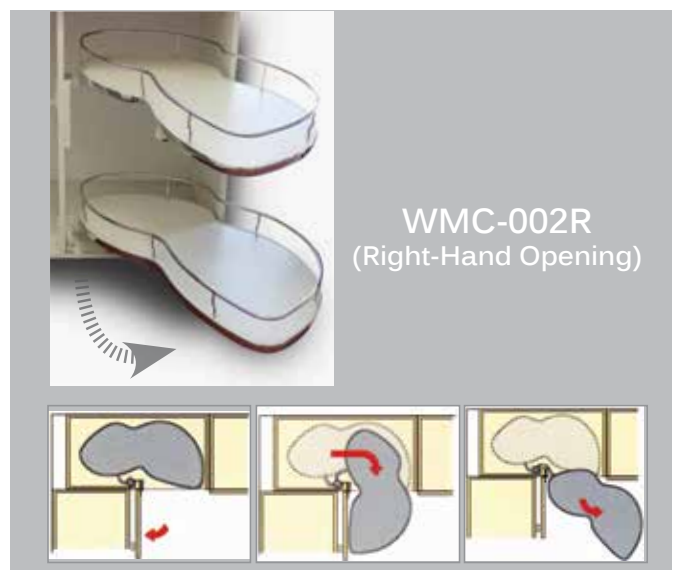
Item No.	Feature	Min. Cab Depth (Inner)	Min. Door Width	Min. Cab Width (Inner)
WMC-003L	Left-Open	485	450	810
WMC-004R	Right-Open	485	450	810
WMC-005L	Left-Open	485	500	850
WMC-006R	Right-Open	485	500	850
WMC-007L	Left-Open	485	600	950
WMC-008R	Right-Open	485	600	950
WMC-Inoxa-Piston	Soft Closing Pistons (2pc) (Optional)			

Sign Up to check prices & order online

Blind Corner Solutions



2 Wire Baskets



With Revolving Trays

Item No.	Feature	Basket Size	Min. Door Width	Cabinet Width (outside to outside)
WMC-001L	Left-Open	W800 x D450 x H95	450	900
WMC-002R	Right-Open	W800 x D450 x H95	450	900
WMC-001/002-Pistons	Soft Closing Pistons (2pc) (Optional)			

Sign Up to check prices & order online

www.eurofit.com.au

Blind Corner Solutions



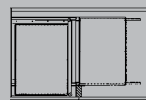
2 Wire Baskets



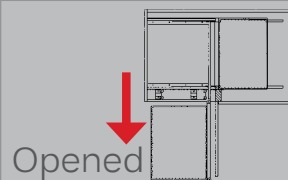
- * Melamine Trays
- * Anti-Slip Surface



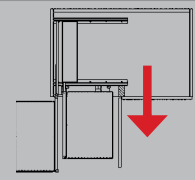
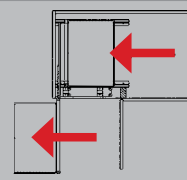
(Left-Hand Opening)



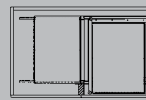
Closed



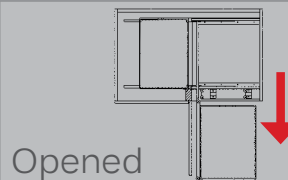
Opened



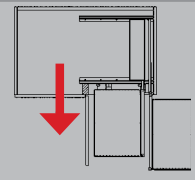
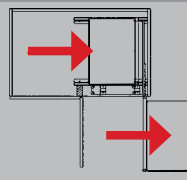
(Right-Hand Opening)



Closed



Opened



All Baskets Pull Out (Left/ Right Interchangeable)

Load Capacity: 40kg

Item No.	Height	Min. Door Width	Min. Cab Depth	Min. Cab Width (Inner)
WMC-037 L/ R	590	450	485	711

Sign Up to check prices & order online

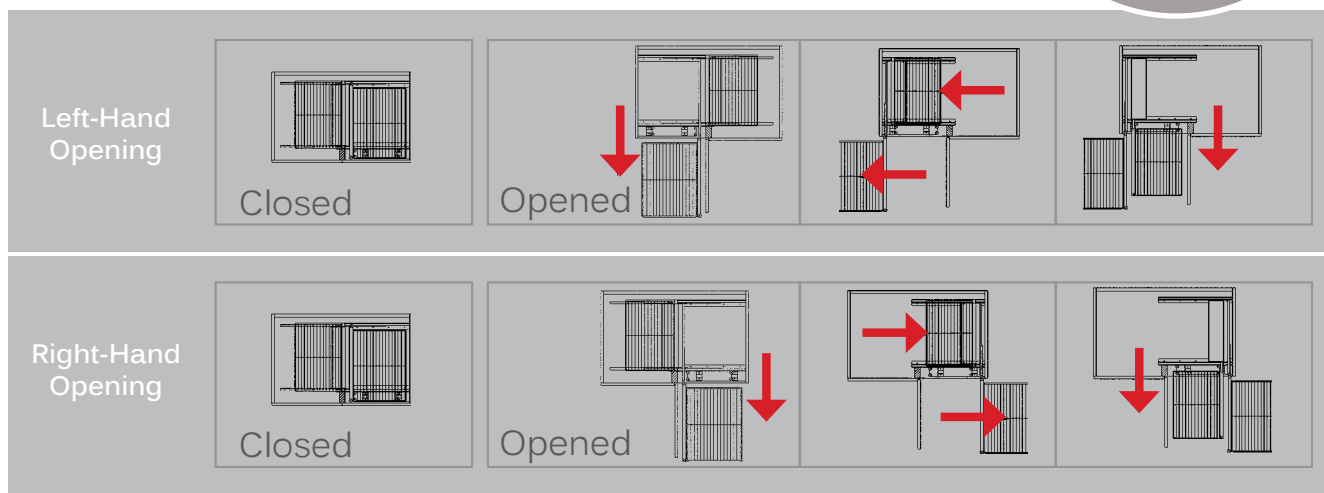
www.eurofit.com.au

Blind Corner Solutions



* Easy To Install
* All Baskets Pull Out

Wire Baskets
2



All Baskets Pull Out (Left/Right Interchangeable)

Item No.	Feature	Basket Size	Min. Door Width	Cabinet Width (outside to outside)
WMC-034	Wire Bases	2pc: W305 x D435 x H115 2pc: W340 x D455 x H115	450	800
WMC-034-Solid	Solid Bases	2pc: W305 x D435 x H115 2pc: W340 x D455 x H115	450	800

Sign Up to check prices & order online

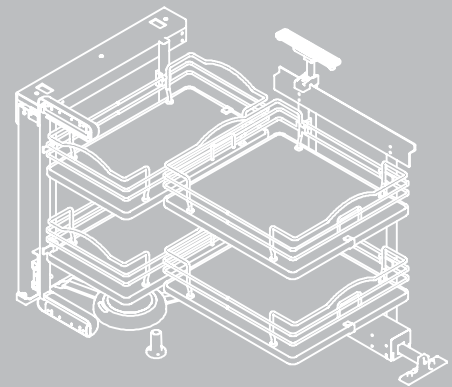


Blind Corner Solutions

Wire Baskets
2

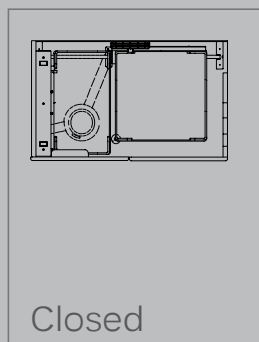


- * Melamine Trays
- * Anti-Slip Surface

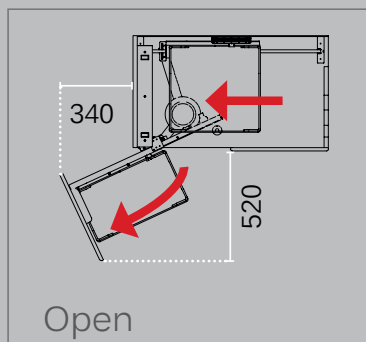


Made In Italy

WMC-022L

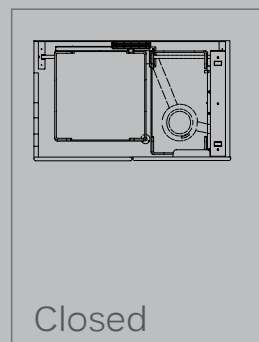


Closed

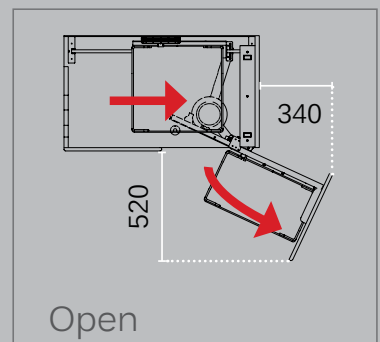


Open

WMC-022L (Left-Hand Opening)



Closed



Open

WMC-021R (Right-Hand Opening)

Door Mounted

Load Capacity: 35kg

Item No.	Feature	Min. Depth	Min. Door Width	Inner Height (Min-Max)	Min. Cabinet Width (Inner)
WMC-021R	Right-Open	485	450	640~800	860
WMC-022L	Left-Open	485	450	640~800	860

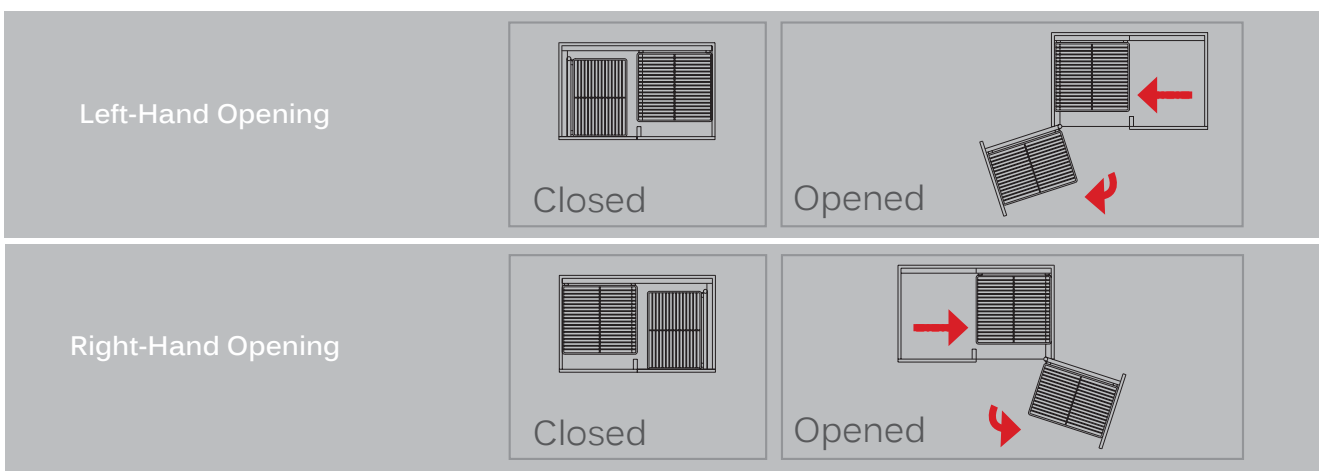
Sign Up to check prices & order online

www.eurofit.com.au

Blind Corner Solutions



Wire Baskets
2



Door Mounted (Left/Right Interchangeable)

Item No.	Feature	Basket Size	Min. Door Width	Cabinet Width (outside to outside)
WMC-018	Wire Bases	2pc: W265 x D440 x H85 2pc: W395 x D455 x H85	450	900
WMC-018-Solid	Solid Bases	2pc: W265 x D440 x H85 2pc: W395 x D455 x H85	450	900

Sign Up to check prices & order online

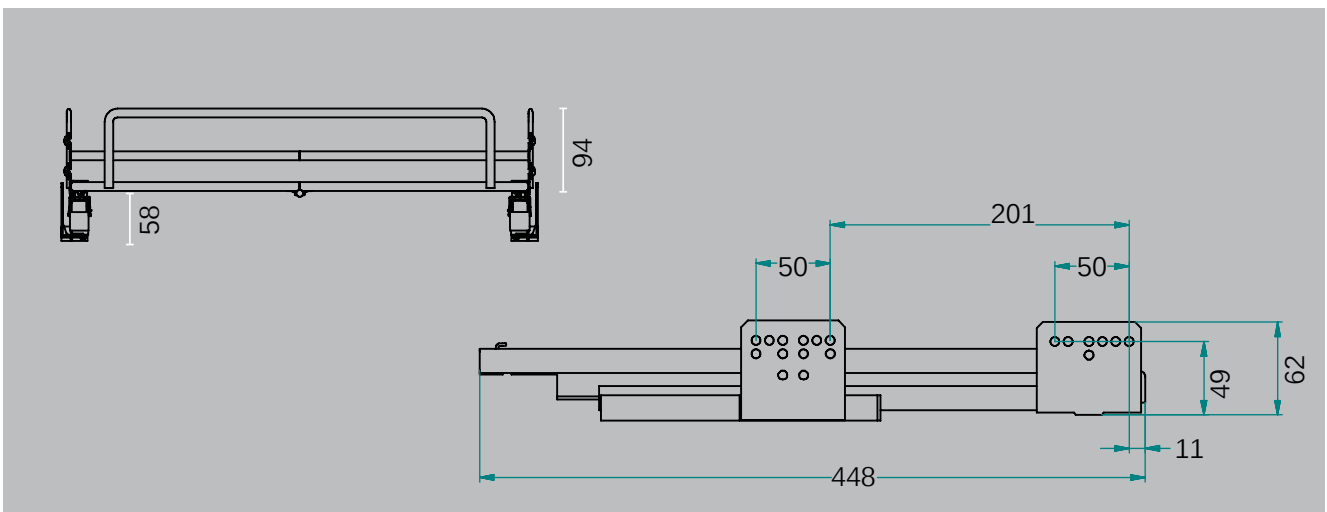
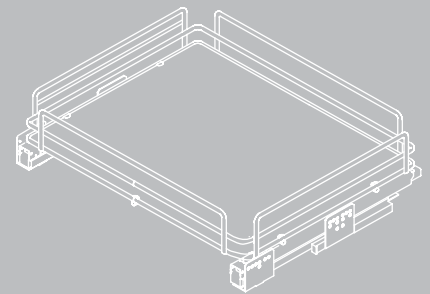
Wire Pull Out Baskets



2 Wire Baskets



- * Melamine Trays
- * Anti-Slip Surface
- * Sold Individually



With GRASS Dynamic XP Slides

Load Capacity: 40kg

Item No.	Min. Cabinet Depth (Inner)	Cabinet Width (outside to outside)
WPD-400G	455	400
WPD-450G	455	450
WPD-500G	455	500
WPD-600G	455	600
WPD-900G	455	900

Sign Up to check prices & order online

www.eurofit.com.au

Wire Pull Out Baskets

** Built-In Spacers Included*



140 mm
Height



Item No.	Basket Size	Cabinet Width (outside to outside)
WPD-400A	W298 x D430 x H140	400
WPD-450A	W348 X D430 x H140	450
WPD-500A	W398 X D430 x H140	500
WPD-600A	W498 X D430 x H140	600
WPD-700A	W598 X D430 x H140	700
WPD-800A	W698 X D430 x H140	800
WPD-900A	W798 X D430 x H140	900

Wire Baskets

2



200 mm
Height

Item No.	Basket Size	Cabinet Width (outside to outside)
WPD-400B	W298 x D430 x H200	400
WPD-450B	W348 X D430 x H200	450
WPD-500B	W398 X D430 x H200	500
WPD-600B	W498 X D430 x H200	600
WPD-700B	W598 X D430 x H200	700
WPD-800B	W698 X D430 x H200	800
WPD-900B	W798 X D430 x H200	900

★ Please Select Slides Set

** Soft Closing (Optional)*

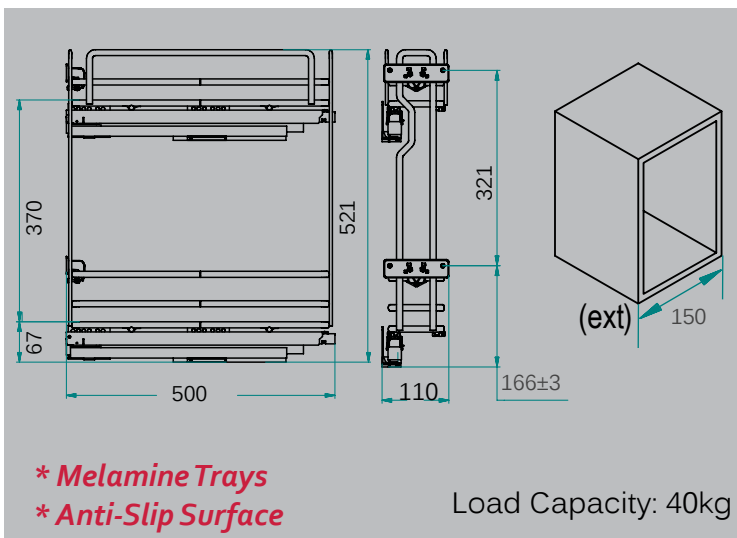
Item No.	Description
WPD-BB400	Full Extension Ball Bearing Slides (Set)
WPD-KS400	Soft Closing Full Extension Slides (Set)

Sign Up to check prices & order online



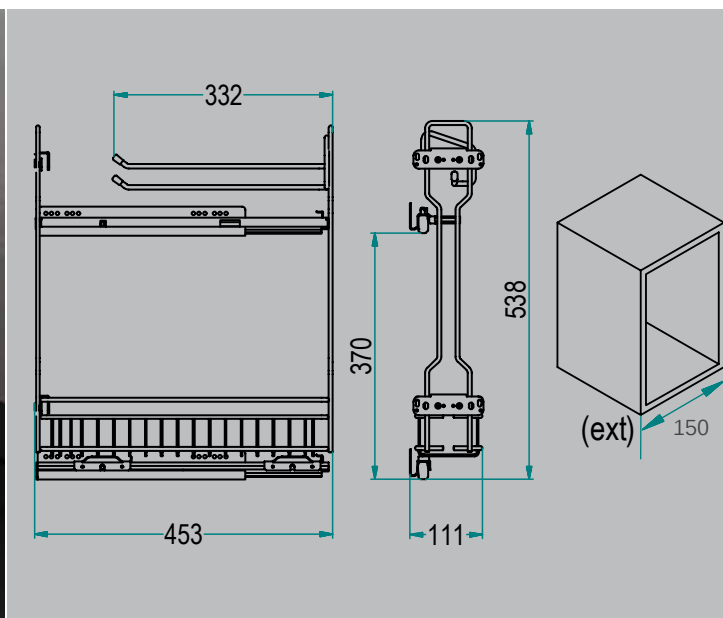
Side Fixed Spice Racks *Left or Right Side Mounted*

2 Wire Baskets



Item No.	Side Mounted	Min Cabinet Depth (Inner)	Cabinet Width (outside to outside)
WSR2-150G (L)	Left	500	150
WSR2-150G (R)	Right	500	150

Side Fixed Spice Racks ** with Tea Towel Rack*



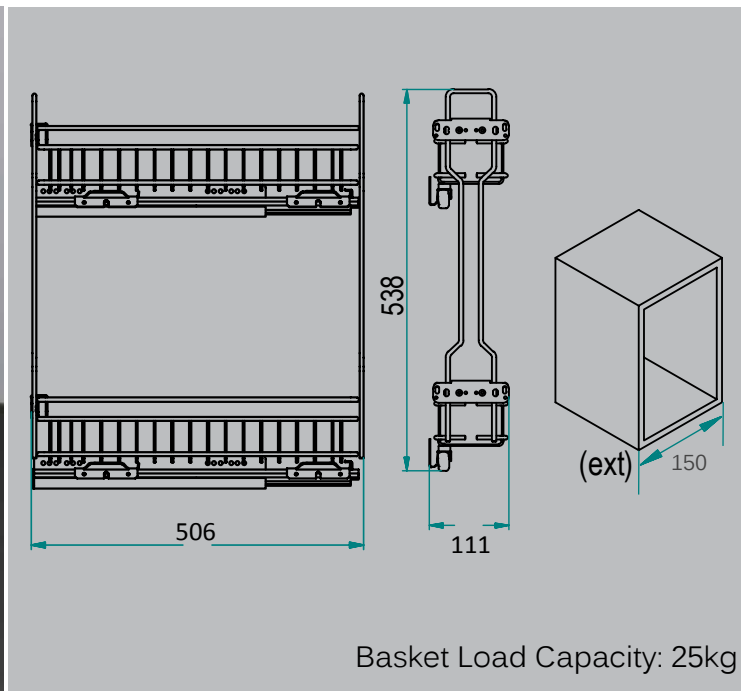
Item No.	Side Mounted	Min Cabinet Depth (Inner)	Cabinet Width (outside to outside)
WTB-150HQ(L)	Left	453	150

Sign Up to check prices & order online



Side Fixed Spice Racks

Left Side Mounted

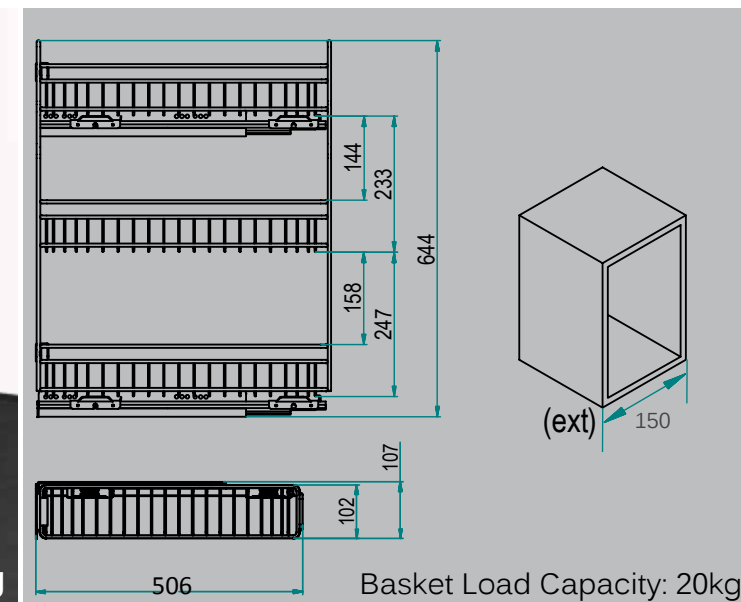


Wire Baskets
2

Item No.	Side Mounted	Min Cabinet Depth (Inner)	Cabinet Width (outside to outside)
WSR2-150HQ(L)	Left	506	150

Side Fixed Spice Racks

** Left Side Mounted*

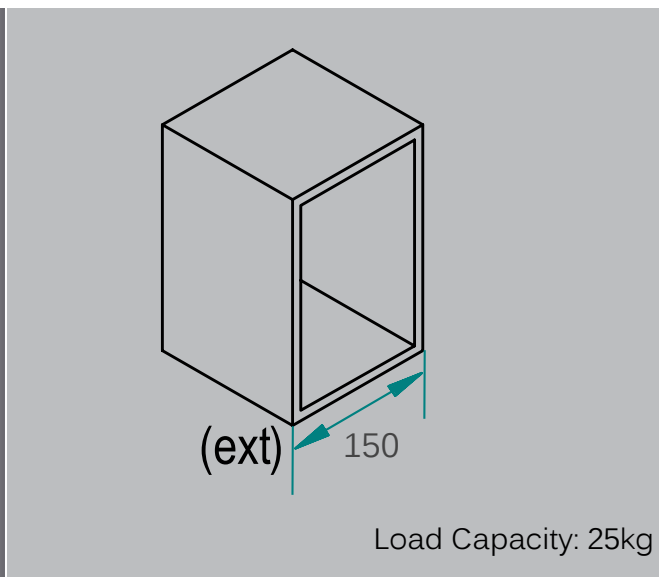
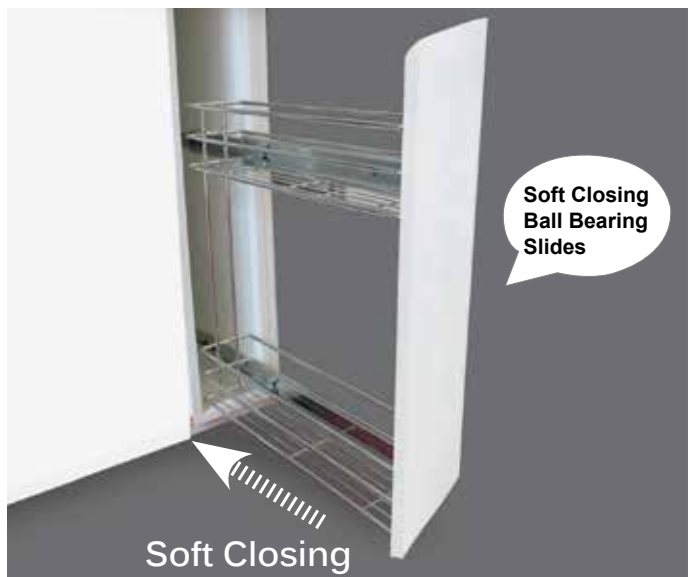


Item No.	Side Mounted	Min Cabinet Depth (Inner)	Cabinet Width (outside to outside)
WSR3-150HQ(L)	Left	506	150

Sign Up to check prices & order online

Side Fixed Spice Racks

** Left / Right Interchangeable*



Item No.	Side Mounted	Min Cabinet (Inner)	Cabinet Width (outside to outside)
WSR2-150SC	Left/ Right Interchangeable	W110xD470xH480	150

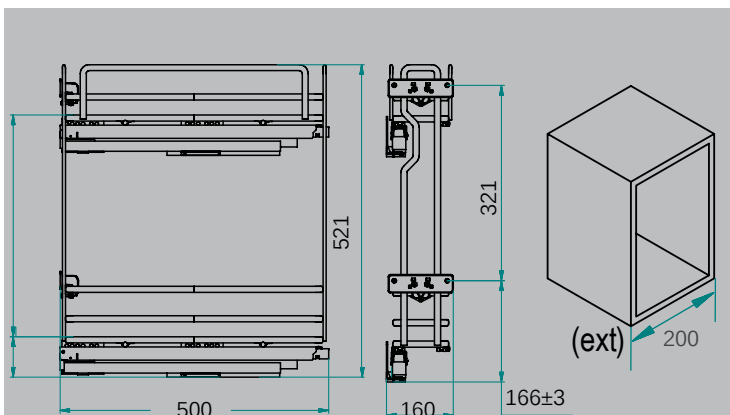


Item No.	Description
WSR-Divi-150	Divider Suits 150mm Spice Rack
WSR-Divi-200	Divider Suits 200mm Spice Rack
WSR-Divi-300	Divider Suits 300mm Spice Rack



Side Fixed Spice Racks

Left or Right Side Mounted



- * Melamine Trays
- * Anti-Slip Surface

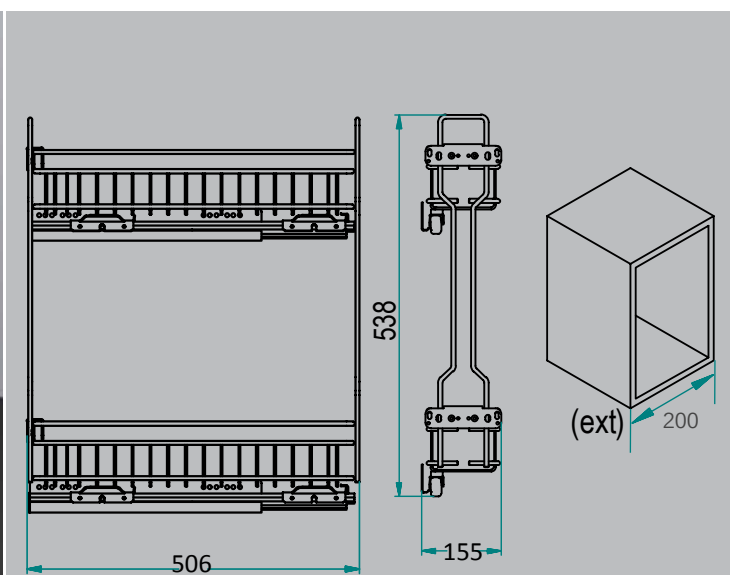
Load Capacity: 40kg

Item No.	Side Mounted	Min Cabinet Depth (Inner)	Cabinet Width (outside to outside)
WSR2-200G (L)	Left	500	200
WSR2-200G (R)	Right	500	200

Wire Baskets
2

Side Fixed Spice Racks

Left Side Mounted



Basket Load Capacity: 25Kg

Item No.	Side Mounted	Min Cabinet Depth (Inner)	Cabinet Width (outside to outside)
WSR2-200HQ(L)	Left	506	200

Sign Up to check prices & order online

Side Fixed Spice Racks

** Left / Right Interchangeable*

Ball Bearing Slides

** 2 Baskets
* Soft Closing Optional*

(ext) 200

Load Capacity: 25kg

Item No.	Feature	Min. Cabinet Size (Inner)	Cabinet Width (outside to outside)
WSR2-200	-	W145xD490xH460	200
WSR2-200SC	Soft Closing	W145xD490xH460	200

Ball Bearing Slides

** 3 Baskets
* Soft Closing Optional*

(ext) 200

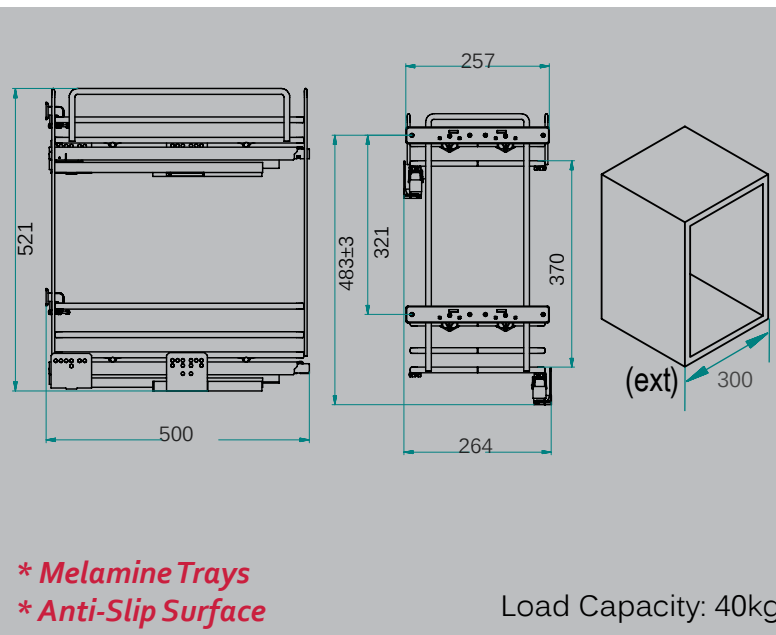
Load Capacity: 25kg

Item No.	Feature	Min. Cabinet Size (Inner)	Cabinet Width (outside to outside)
WSR3-200	-	W145xD490xH660	200
WSR3-200SC	Soft Closing	W145xD490xH660	200



Side Fixed Spice Racks

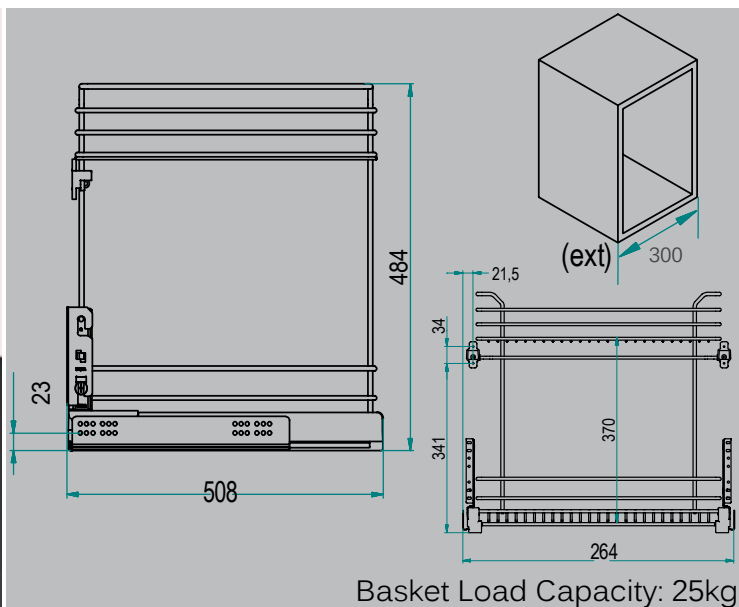
Mounted on Both Sides



Wire Baskets
2

Item No.	Side Mounted	Min Cabinet Depth (Inner)	Cabinet Width (outside to outside)
WSR2-300G	Mounted on Both Sides	500	300

Bottom Fixed Spice Racks



Item No.	Feature	Min Cabinet Depth (Inner)	Cabinet Width (outside to outside)
WRB2-300HQ	Bottom Fixed	508	300

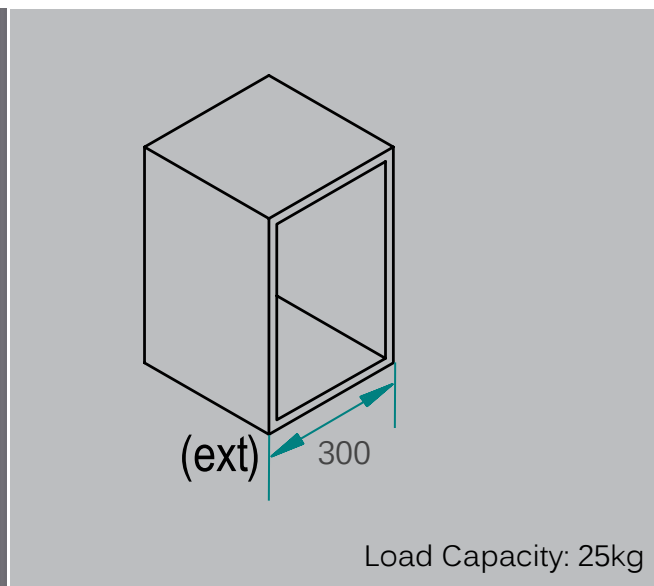
Sign Up to check prices & order online

Side Fixed Spice Racks

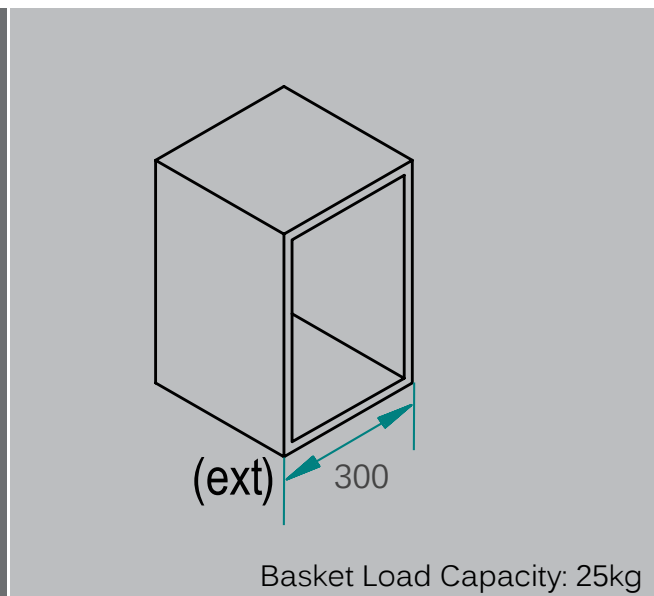
** Left / Right Interchangeable*

Wire Baskets

2



Item No.	Feature	Min Cabinet Size (Inner)	Cabinet Width (outside to outside)
WSR2-300	-	W235xD490xH460	300
WSR2-300SC	Soft Closing	W235xD490xH460	300



Item No.	Feature	Min Cabinet Size (Inner)	Cabinet Width (outside to outside)
WSR3-300	-	W235xD490xH660	300
WSR3-300SC	Soft Closing	W235xD490xH660	300

Sign Up to check prices & order online



Side Fixed Spice Racks

Mounted on Both Sides

GRASS

Made In Italy Soft Closing

* Melamine Trays
* Anti-Slip Surface

Load Capacity: 40kg

Item No.	Side Mounted	Min Cabinet Depth (Inner)	Cabinet Width (outside to outside)
WSR2-400G	Mounted on Both Sides	500	400

Wire Baskets
2

Mini Under Bench Pull Out Pantry

* Soft Closing
* Door Mounted
* Brackets Included

Soft Closing

Basket Load Capacity: 30kg

Item No.	Feature	Min Cabinet Size (Inner)	Cabinet Width (outside to outside)
WPP3-400SC	Mounted on Top and Bottom	W350 x D490x H(640~760)	400

Sign Up to check prices & order online



Side Fixed Spice Racks

2 Wire Baskets

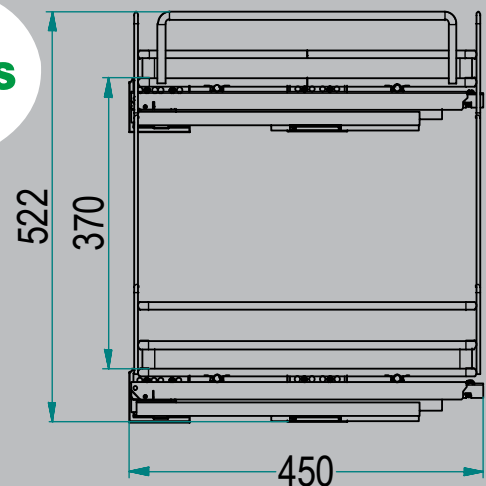
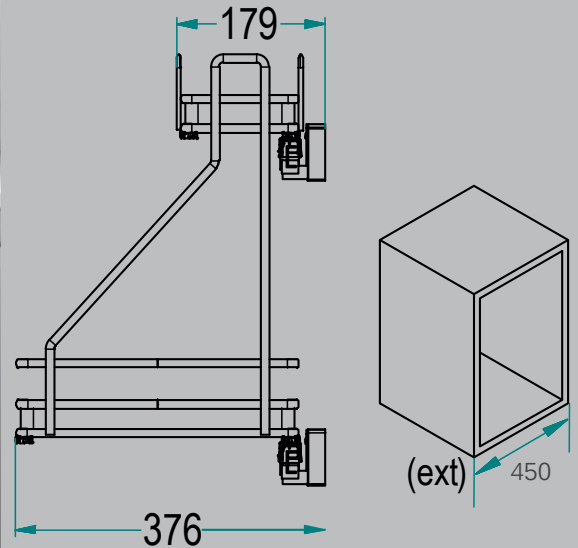


G*GRASS

Soft Closing

Compartment
Trays Removable

Made In Italy



- * Melamine Trays
- * Anti-Slip Surface
- * Spacers for full overlay hinged door included

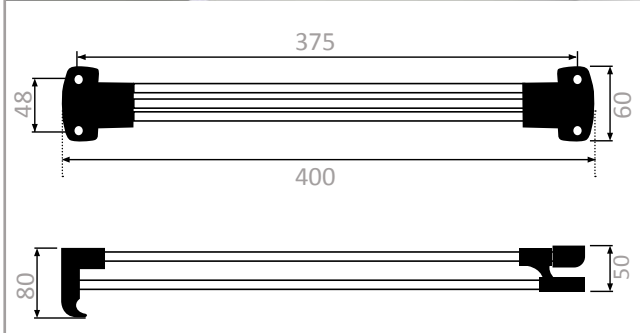
Load Capacity: 40Kg

Item No.	Side Mounted	Min. Internal Depth	Cabinet Width (outside to outside)
WSR2-450G-Left	Left	450	450
WSR2-450G-Right	Right	450	450

Sign Up to check prices & order online

www.eurofit.com.au

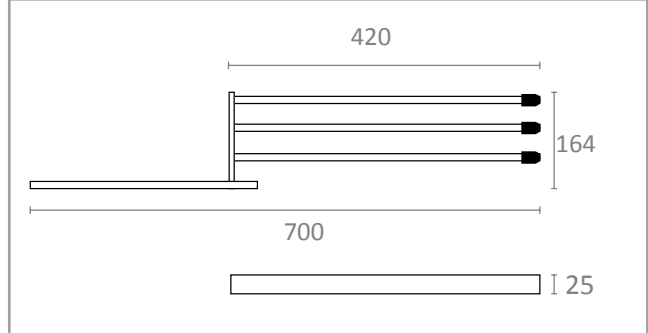
Pull Out Tea Towel Racks



Item No.	Feature
WTR-01	One-Arm



** Screws Included*



Item No.	Feature
WTR-04	Three-Arm

Spice Bottle Racks



Item No.	Size
WBR-01	W300 x D100 x H100

Glass Racks



Item No.	Size
WGR-02	W135 x D265 x H43
WGR-05	W264 x D265 x H43



Item No.	Size
WGR-02	W135 x D265 x H43
WGR-05	W264 x D265 x H43



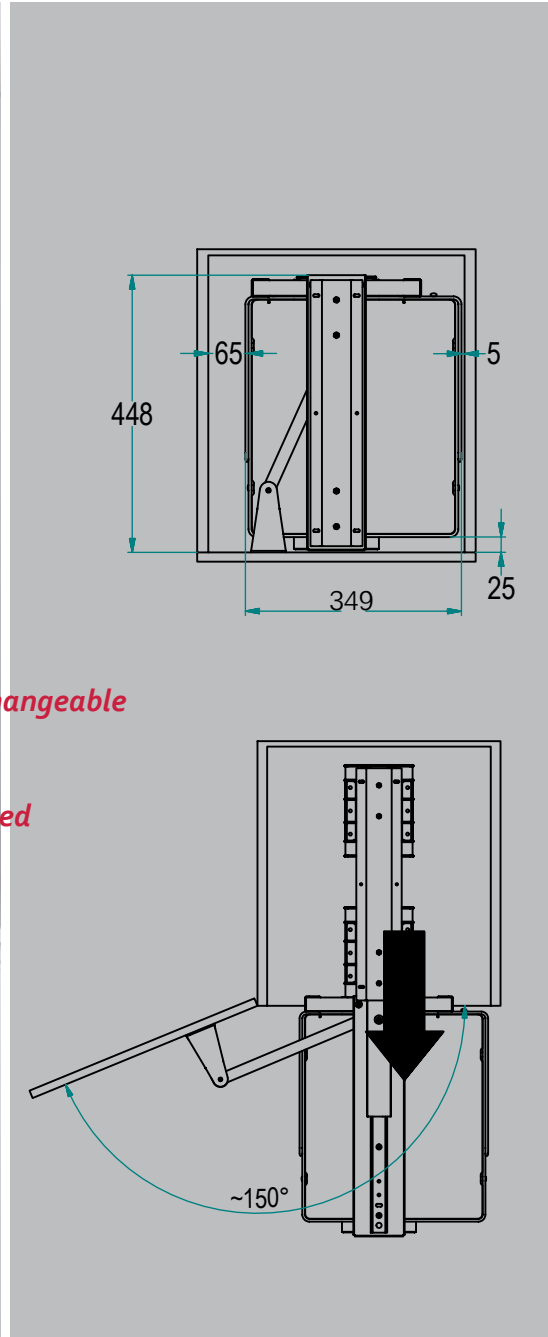
Total Access Column

Wire Baskets
2



- * Left / Right Interchangeable
- * Melamine Trays
- * Anti-Slip Surface
- * 170° Hinges Required (Sold Separately)

Made In Italy



Load Capacity: 110kg

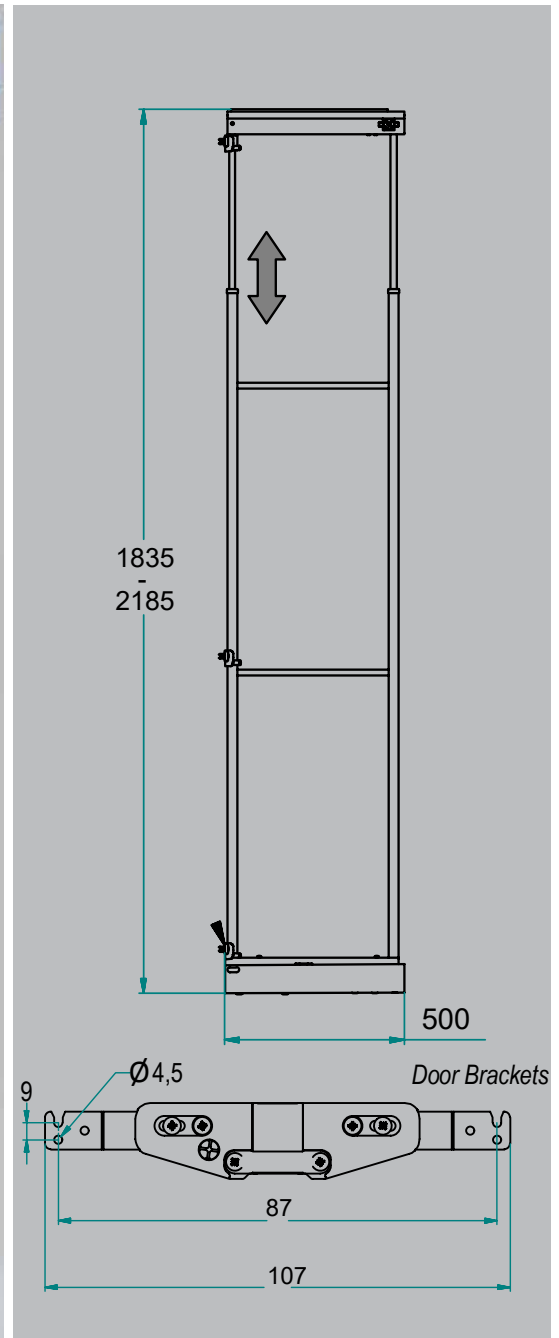
Item No.	Inner Cabinet Height (Min~Max)	Basket Size	Cabinet Depth (Inner)	Cabinet Width (outside to outside)
WTA-450TR	1,830~2,250	W350 x D381 x H124	448	450

Sign Up to check prices & order online

www.eurofit.com.au



Pull Out Pantries



Wire Baskets
2

Load Capacity: 110kg

Item No.	Inner Cabinet Height (Min~Max)	Basket Size	Cabinet Depth (Inner)	Cabinet Width (outside to outside)
WPP5-150TR	1,835~2,185	W98 x D424 x H124	500	150

Sign Up to check prices & order online

www.eurofit.com.au

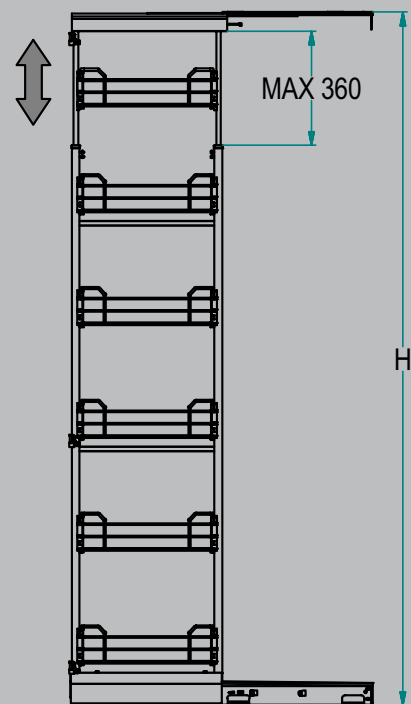
Pull Out Pantries



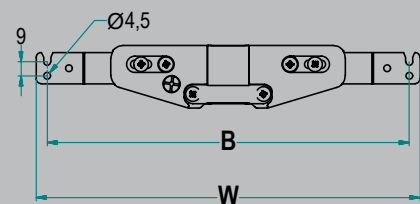
Wire Baskets
2



- * Melamine Trays
- * Anti-Slip Surface
- * Thomas Regout Slides (Made In Netherlands)



Door Brackets



Item No.	B (mm)	W (mm)
WPP6-300TR	246	232
WPP6-400TR	346	332
WPP6-500TR	446	432

6 Baskets Pull Out Pantry With Thomas Regout Slides

Load Capacity: 120kg

Item No.	Basket Size	Cabinet Height (Inner)	Cabinet Depth (Inner)	Cabinet Width (outside to outside)
WPP6-300TR	W244 x D426 x H124	1,860~2,185	487	300
WPP6-400TR	W344 x D426 x H124	1,860~2,185	487	400
wPP6-500TR	W444 x D426 x H124	1,860~2,185	487	500

Sign Up to check prices & order online

www.eurofit.com.au

Pull Out Pantries



Wire Baskets
2

6 Baskets / Load Capacity: 80kg

Item No.	Feature	Basket Size	Cabinet Height (Inner)	Cabinet Depth (Inner)	Cabinet Width (outside to outside)
WPP6-300SC	Wire Bases	W245 x D470 x H85	1,800 ~ 2,100	500	300
WPP6-300SC-Solid	Solid Bases	W245 x D470 x H85	1,800 ~ 2,100	500	300
WPP6-400SC	Wire Bases	W345 x D470 x H85	1,800 ~ 2,100	500	400
WPP6-400SC-Solid	Solid Bases	W345 x D470 x H85	1,800 ~ 2,100	500	400
WPP6-500SC	Wire Bases	W445 x D470 x H85	1,800 ~ 2,100	500	500
WPP6-500SC-Solid	Solid Bases	W445 x D470 x H85	1,800 ~ 2,100	500	500

Sign Up to check prices & order online

www.eurofit.com.au

Pull Out Pantries



4 Baskets / Load Capacity: 80kg

Item No.	Feature	Basket Size	Cabinet Height (Inner)	Cabinet Depth (Inner)	Cabinet Width (outside to outside)
WPP4-300SC	Wire Bases	W245 x D470 x H85	1,250 ~ 1,600	500	300
WPP4-300SC-Solid	Solid Bases	W245 x D470 x H85	1,250 ~ 1,600	500	300
WPP4-400SC	Wire Bases	W345 x D470 x H85	1,250 ~ 1,600	500	400
WPP4-400SC-Solid	Solid Bases	W345 x D470 x H85	1,250 ~ 1,600	500	400

Sign Up to check prices & order online

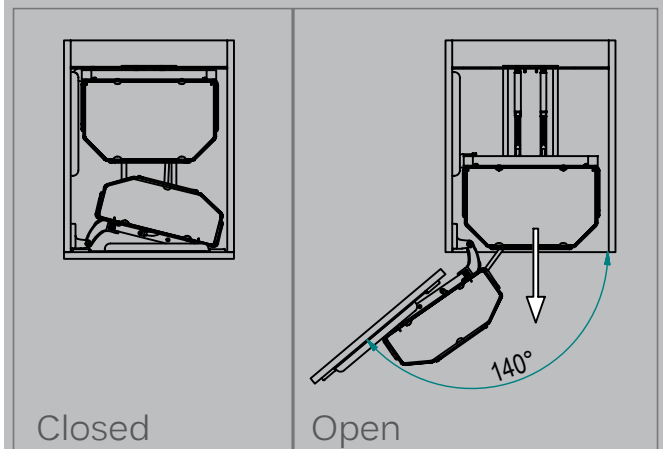
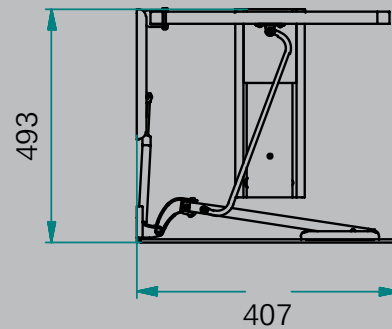
www.eurofit.com.au



Maxima Deluxe Larder Unit



- * Left / Right Interchangeable
- * Melamine Trays
- * Anti-Slip Surface
- * Independent From Top Shelf
- * 170° Hinges Required (Sold Separately)



Wire Baskets

2

6 Levels (12 Trays)

Load Capacity: 150kg

Item No.	Basket Size	Min. Cabinet Height (Inner)	Min Cabinet Depth (Inner)	Cabinet Width (outside to outside)
WLU6-450TR	W334 x H87 x D137 W362 x H87 x D224	1,765	493	450

Sign Up to check prices & order online

www.eurofit.com.au

2-28

T: 03 8592 1955

Deluxe Larder Unit

Wire Baskets
2



12 Baskets
Included

Solid Bases
Optional



6 Levels (Left / Right Interchangeable)

Item No.	Feature	Basket Size	Cabinet Height (Inner)	Cabinet Depth (Inner)	Cabinet Width (outside to outside)
WLU6-450	Wire Bases	W305 x D85 x H80 W370 x D355 x H90	1,820 ~ 2,050	500	450
WLU6-450-Solid	Solid Bases	W305 x D85 x H80 W370 x D355 x H90	1,820 ~ 2,050	500	450

Sign Up to check prices & order online

www.eurofit.com.au

2-29

T: 03 8592 1955

Gourmet Pantry Unit



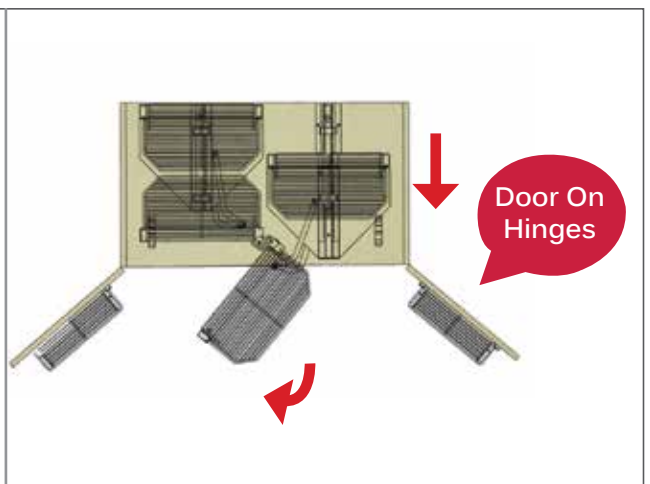
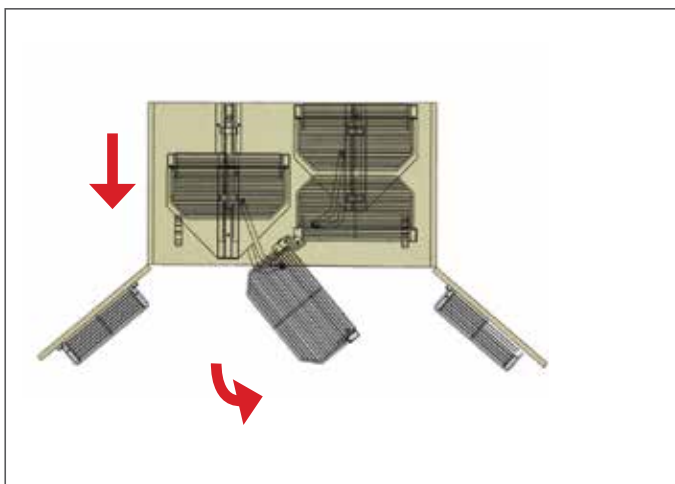
30 Baskets

Easy To Install



Wire Baskets

2



Item No.	Basket Size	Cabinet Height (Inner)	Cabinet Depth (Inner)	Cabinet Width (outside to outside)
WGP-900	20pcs: W368xD205xH85 10pcs: W300xD75xH75	1,260 ~ 1,390	510	900

Sign Up to check prices & order online

www.eurofit.com.au

2-30

T: 03 8592 1955

Laundry Baskets

Made In Italy




** With Lid*



53L

Load Capacity: 40kg

Soft Closing

Item No.	Min. Height (Inner)	Min. Depth (Inner)	Cab Width (outside to outside)
WLB-03-450	610	505	450

With Grass Nova Pro Over Extension Slides

Vero
Drawer System



** With Handles*
** Slides Sold Separately*

53L

Load Capacity: 35kg

Push Open Optional

Soft Closing

Item No.	Min. Height (Inner)	Min. Depth (Inner)	Cab Width (outside to outside)
WLB-Vero-04	600	510	450

★ Please Order Slides: SC-201-500M or SC-201(PO)-500M
Compatible With Blum Antaro Drawer 500mm



Made In Italy

30L
30L

450/500
Load Capacity: 40kg



30L 30L

600
Load Capacity: 40kg

Soft Closing



Item No.	Min. Height (Inner)	Min. Depth (Inner)	Cab Width (outside to outside)
WLB-06-450	500	540	450
WLB-06-500	500	540	500
WLB-06-600	500	510	600

Soft Closing



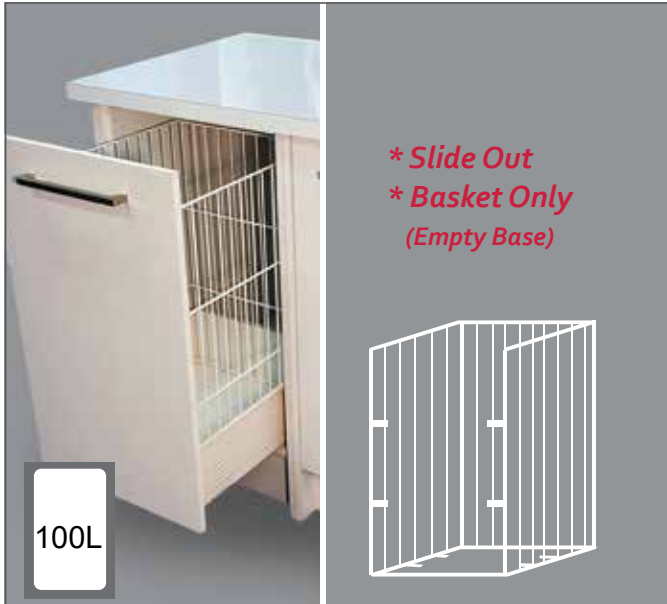

40L

Load Capacity: 25kg

Item No.	Min. Height (Inner)	Min. Depth (Inner)	Cab Width (outside to outside)
WLB-05-450	297	530	450
WLB-05-500	297	530	500

Sign Up to check prices & order online

Laundry Baskets



Item No.	Size	Carton Qty
WLB-01	W370 x D390 x H550	5

Item No.	Size	Carton Qty
WLB-02	W390 x D470 x H600	4

Wire Baskets
2

Pull Out Ironing Boards



Item No.	Min Cabinet (Inner)
IB-04	W364 x D470 x H300

Item No.	Min Cabinet (Inner)
IB-01	W320 x D430 x H150
IB-01-Cover	Extra Cover

Sign Up to check prices & order online