

Drawer Systems

Slim Drawer Systems

- King Slide Slim Drawer Systems.....3-1
- Vero Slim Drawer Systems.....3-8

Standard Drawer Systems

- Vero Standard Drawer Systems.....3-18
- Hettich Atira Drawer Systems.....3-34
- Blum Antaro Drawer Systems.....3-36

Wood Drawer Systems

- King Slide Push Open
+ Soft Closing Slides.....3-38
- King Slide Soft Closing Slides.....3-39
- Vero Soft Closing Slides.....3-40
- Hettich Quadro V6 for Wood.....3-41
- Blum Tandem for Wood.....3-41

Ball Bearing Slides

- King Slide Push Open Slides.....3-42
- King Slide Soft Closing Slides.....3-43
- Vero Soft Closing Slides.....3-45
- Hettich KA Soft Closing Slides.....3-47
- Vero Heavy Duty Slides.....3-47
- Vero Standard Ball Bearing Slides.....3-48

Standard Slides

- Vero Standard Slide.....3-49
- Hettich Multi Tech drawer Systems.....3-49
- File Frame.....3-50



King Slide Slim Drawer Systems

King Slide®



M, 97 Height

B, 138 Height

D, 185 Height

E, 249 Height



● **Soft Closing or**

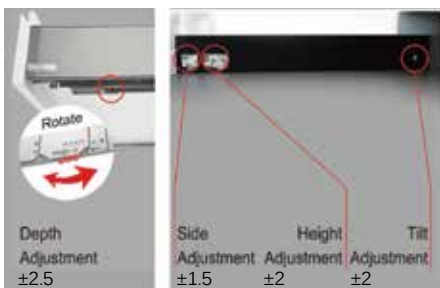
● **Soft Closing & Push Open**

Include push open on /off switch.

● **13mm Ultra Slim Drawer Sides**

● **Max Load 40kg or 70 kg**

The medium & heavy duty rail systems can carry maximum weights of 40kg or 70kg so that even heavy drawers run smoothly without a hitch.



● **8-Way Adjustments** (include Depth Adjustment)

Aligning the gap around the drawer front and depth can be done more precisely with new adjustment devices.



● **Synchronized Movements**

The Synchronized movements of three slide members not only minimize noises but enable more smooth running motions.

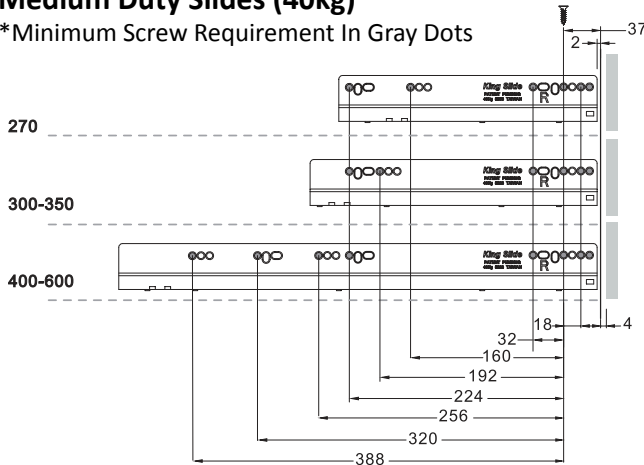
King Slide Slim Drawer Systems

King Slide®

Cabinet Screw Positions

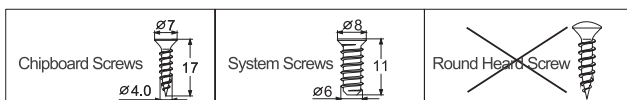
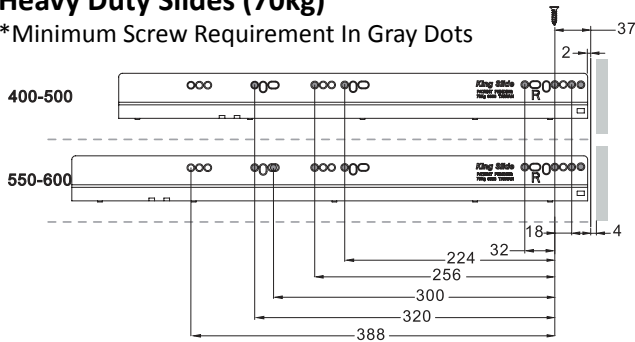
Medium Duty Slides (40kg)

*Minimum Screw Requirement In Gray Dots

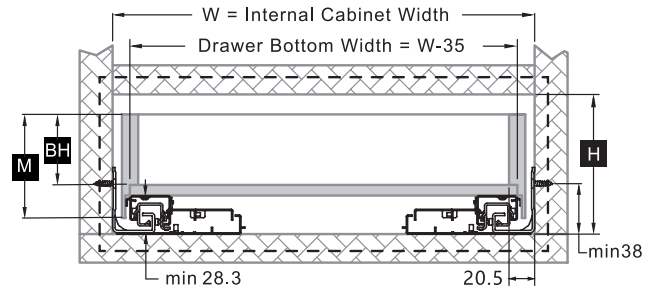


Heavy Duty Slides (70kg)

*Minimum Screw Requirement In Gray Dots



Front View

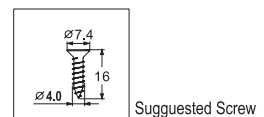
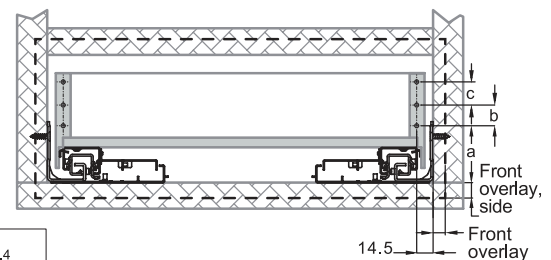


	Model	M	B	D	E
SIMLEAD Box	M	97	138	185	249
	X	109	150	197	261
SIMLEAD Metal Drawer System	H	min114	min155	min203	min267
	BH	60	102	149	213

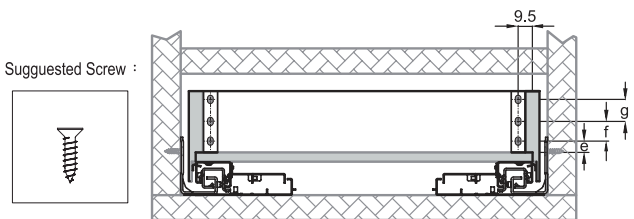
Drawer Front/Back Thickness=16mm / (Unit:mm)

W=Internal Cabinet Width **L**=Slide Length **X**=Height of Slide + Drawer Side
H=Internal Cabinet Height **BH**=Drawer Back Height **M**=Drawer Side Height

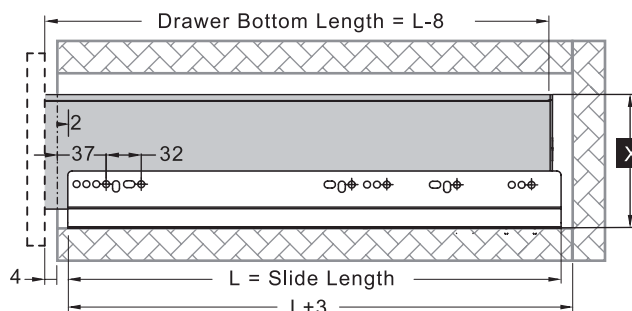
Drawer Front Screw Position



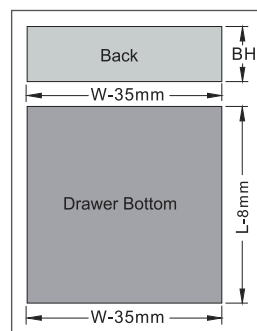
Drawer Back Screw Position



Side View



*Note:
 The minimum gap for push open function is 2.5 mm.
 The minimum requirement gap might slightly increase in the actual installation.

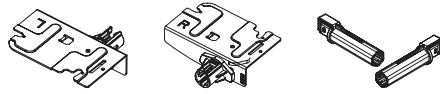


* 16mm material is required for drawer bottom & back (Unit: mm)

draw Size	M	B	D	E
a	min57.5	min57.5	min57.5	min57.5
b	32	32	96	160
c	-	-	32	32
e	15.5	15.5	15.5	15.5
f	32	32	55.5	87.5
g	-	32	55.5	87.5

King Slide Soft Closing & Push Open Slim Drawer Systems

King Slide[®]



Synchronization Rod Connectors & Adapters



Synchronization Bar (1M)

Installation Instruction

- Remove the cap.
- Follow the direction shown as below to insert the Synchronization Rod Connector.

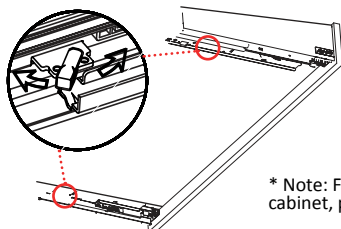
- Insert the Synchronization Rod Connector onto the slide.

*The Angle Of The Synchronization Rod Adaptors Must Be Aligned

- Attach the synchronization rod connectors to both sides of the trimmed rod.
- Press to firmly connect together until 'click' sound is heard.

* Remove the Synchronization Rod Connectors attach to the slide. When synchronization rod is not used.

Push Open Switch



Only Soft Close:
Flip over the switch forward to disable push open function.



Push Open + Soft Close:
Flip the switch backward to enable push open function.

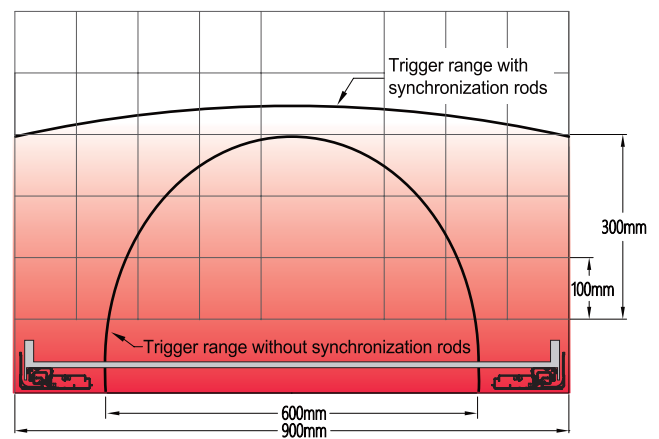
* Note: For safety consideration, the manufacturer default position is in soft close position. When the slide is mounted to cabinet, please switch to push open + soft close position. Check the push open function on 2 sides of the drawer slides.

Length Measurement & Cut Out

$X = IWC - 260mm$

* IWC = Internal Cabinet Width
* Remove Burrs ON the Cutting Edges

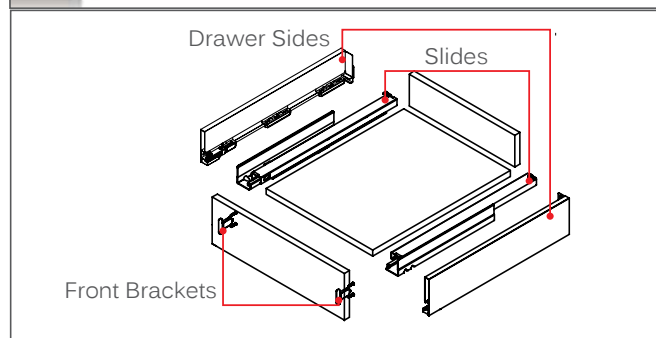
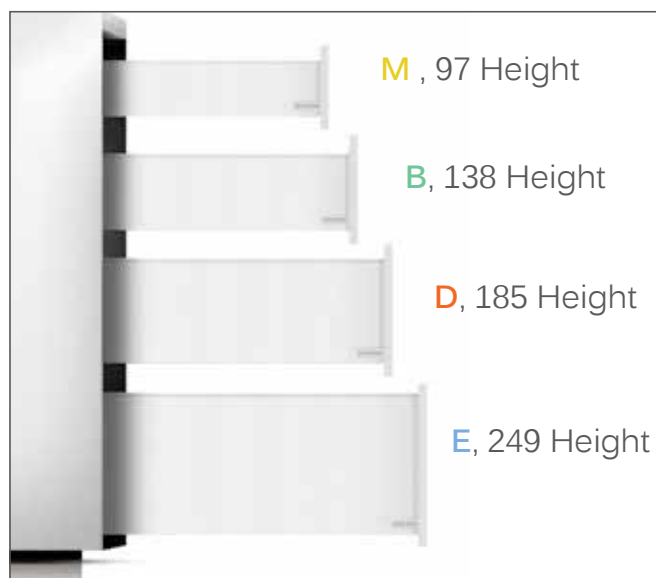
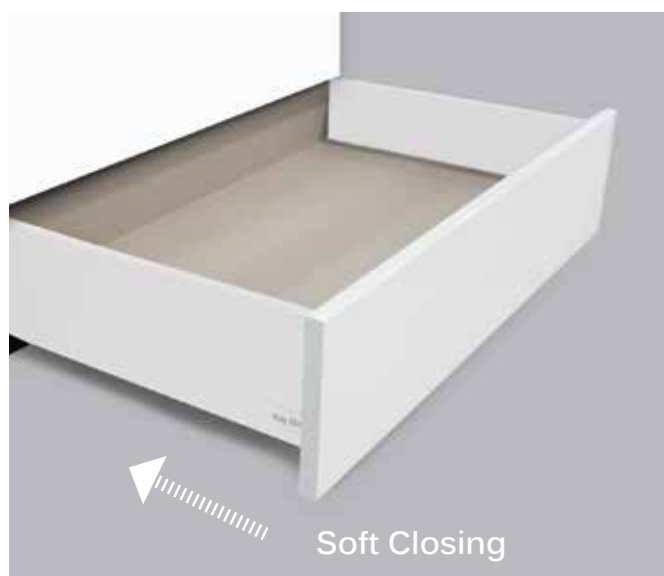
Push Open Trigger Range



* The Example Of Height B is Shown In The Diagram. The Actual Trigger Range May Vary In Accordance With The Precision Of Installation

King Slide®

Soft Closing White Slim Drawer Systems 97 / 138 / 185 / 249mm Height



Load Capacity: 40kg or 70kg Colour: White

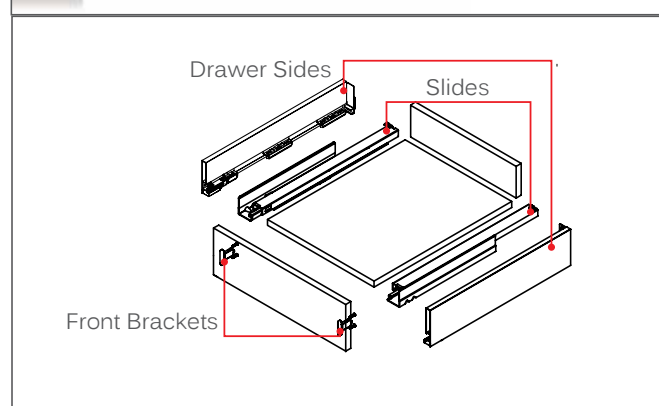
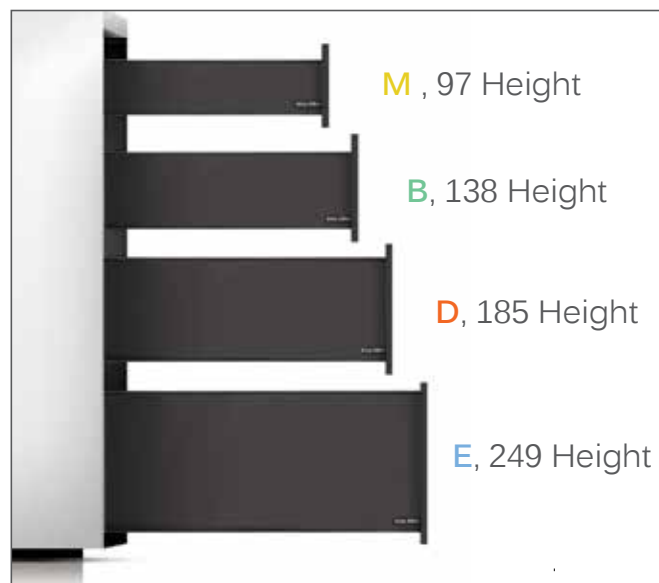
Item No. (Kits)	H	Weight	Drawer Length
SC-60-270M-WHITE-40KG	97	40kg	270
SC-60-350M-WHITE-40KG	97	40kg	350
SC-60-400M-WHITE-40KG	97	40kg	400
SC-60-450M-WHITE-40KG	97	40kg	450
SC-60-500M-WHITE-40KG	97	40kg	500
SC-60-450M-WHITE-70KG	97	70kg	450
SC-60-500M-WHITE-70KG	97	70kg	500
SC-60-550M-WHITE-70KG	97	70kg	550
SC-60-270B-WHITE-40KG	138	40kg	270
SC-60-350B-WHITE-40KG	138	40kg	350
SC-60-400B-WHITE-40KG	138	40kg	400
SC-60-450B-WHITE-40KG	138	40kg	450
SC-60-500B-WHITE-40KG	138	40kg	500
SC-60-450B-WHITE-70KG	138	70kg	450
SC-60-500B-WHITE-70KG	138	70kg	500
SC-60-550B-WHITE-70KG	138	70kg	550

Item No. (Kits)	H	Weight	Drawer Length
SC-60-350D-WHITE-40KG	185	40kg	350
SC-60-400D-WHITE-40KG	185	40kg	400
SC-60-450D-WHITE-40KG	185	40kg	450
SC-60-500D-WHITE-40KG	185	40kg	500
SC-60-450D-WHITE-70KG	185	70kg	450
SC-60-500D-WHITE-70KG	185	70kg	500
SC-60-550D-WHITE-70KG	185	70kg	550
SC-60-350E-WHITE-40KG	249	40kg	350
SC-60-400E-WHITE-40KG	249	40kg	400
SC-60-450E-WHITE-40KG	249	40kg	450
SC-60-500E-WHITE-40KG	249	40kg	500
SC-60-450E-WHITE-70KG	249	70kg	450
SC-60-500E-WHITE-70KG	249	70kg	500
SC-60-550E-WHITE-70KG	249	70kg	550

Sign Up to check prices & order online

King Slide®

Soft Closing Black Slim Drawer Systems 97 / 138 / 185 / 249mm Height



Load Capacity: 40kg or 70kg Colour: Black

Item No. (Kits)	H	Weight	Drawer Length
SC-60-400M-BLACK-40KG	97	40kg	400
SC-60-450M-BLACK-40KG	97	40kg	450
SC-60-500M-BLACK-40KG	97	40kg	500

SC-60-450M-BLACK-70KG	97	70kg	450
SC-60-500M-BLACK-70KG	97	70kg	500

SC-60-400B-BLACK-40KG	138	40kg	400
SC-60-450B-BLACK-40KG	138	40kg	450
SC-60-500B-BLACK-40KG	138	40kg	500

SC-60-450B-BLACK-70KG	138	70kg	450
SC-60-500B-BLACK-70KG	138	70kg	500

Item No. (Kits)	H	Weight	Drawer Length
SC-60-400D-BLACK-40KG	185	40kg	400
SC-60-450D-BLACK-40KG	185	40kg	450
SC-60-500D-BLACK-40KG	185	40kg	500

SC-60-450D-BLACK-70KG	185	70kg	450
SC-60-500D-BLACK-70KG	185	70kg	500

SC-60-400E-BLACK-40KG	249	40kg	400
SC-60-450E-BLACK-40KG	249	40kg	450
SC-60-500E-BLACK-40KG	249	40kg	500

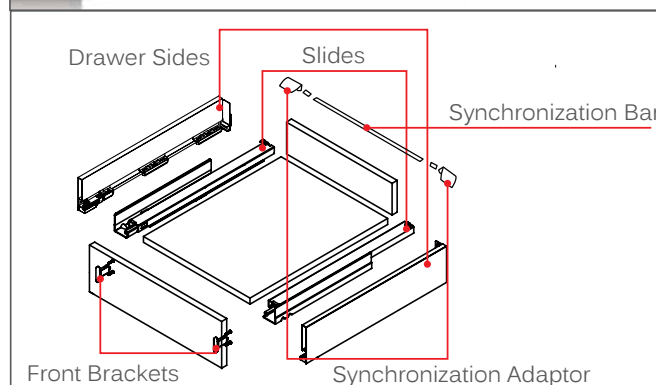
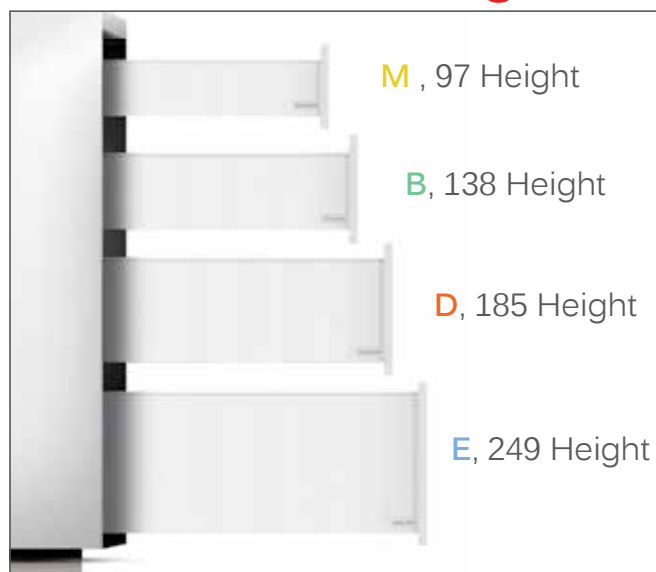
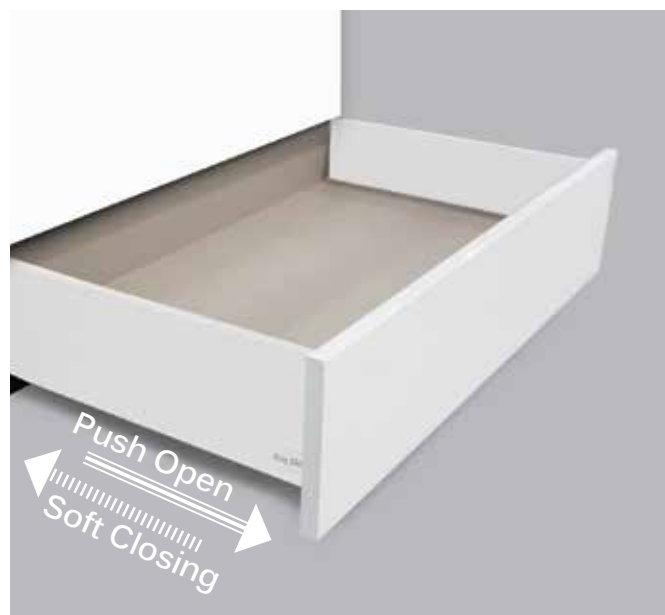
SC-60-450E-BLACK-70KG	249	70kg	450
SC-60-500E-BLACK-70KG	249	70kg	500

Sign Up to check prices & order online

www.eurofit.com.au

King Slide®

Soft Closing & Push Open White Slim Drawer Systems 97 / 138 / 185 / 249mm Height



★ Include push open on /off switch

Load Capacity: 40kg or 70kg Colour: White

Item No. (Kits)	H	Weight	Drawer Length
SCPO-60-350M-WHITE-40KG	97	40kg	350
SCPO-60-400M-WHITE-40KG	97	40kg	400
SCPO-60-450M-WHITE-40KG	97	40kg	450
SCPO-60-500M-WHITE-40KG	97	40kg	500

SCPO-60-450M-WHITE-70KG	97	70kg	450
SCPO-60-500M-WHITE-70KG	97	70kg	500
SCPO-60-550M-WHITE-70KG	97	70kg	550

SCPO-60-350B-WHITE-40KG	138	40kg	350
SCPO-60-400B-WHITE-40KG	138	40kg	400
SCPO-60-450B-WHITE-40KG	138	40kg	450
SCPO-60-500B-WHITE-40KG	138	40kg	500

SCPO-60-450B-WHITE-70KG	138	70kg	450
SCPO-60-500B-WHITE-70KG	138	70kg	500
SCPO-60-550B-WHITE-70KG	138	70kg	550

Item No. (Kits)	H	Weight	Drawer Length
SCPO-60-350D-WHITE-40KG	185	40kg	350
SCPO-60-400D-WHITE-40KG	185	40kg	400
SCPO-60-450D-WHITE-40KG	185	40kg	450
SCPO-60-500D-WHITE-40KG	185	40kg	500

SCPO-60-450D-WHITE-70KG	185	70kg	450
SCPO-60-500D-WHITE-70KG	185	70kg	500
SCPO-60-550D-WHITE-70KG	185	70kg	550

SCPO-60-350E-WHITE-40KG	249	40kg	350
SCPO-60-400E-WHITE-40KG	249	40kg	400
SCPO-60-450E-WHITE-40KG	249	40kg	450
SCPO-60-500E-WHITE-40KG	249	40kg	500

SCPO-60-450E-WHITE-70KG	249	70kg	450
SCPO-60-500E-WHITE-70KG	249	70kg	500
SCPO-60-550E-WHITE-70KG	249	70kg	550

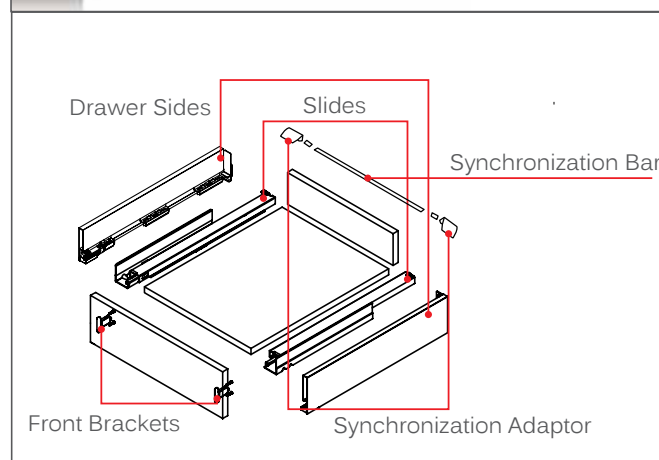
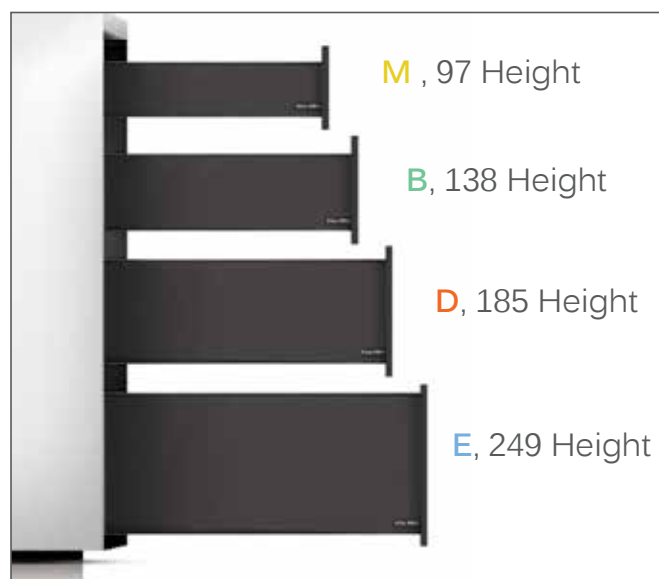
Sign Up to check prices & order online

King Slide®

Soft Closing & Push Open Black Slim Drawer Systems 97 / 138 / 185 / 249mm Height



★ Include push open on /off switch



Load Capacity: 40kg or 70kg Colour: Black

Item No. (Kits)	H	Weight	Drawer Length
SCPO-60-400M-BLACK-40KG	97	40kg	400
SCPO-60-450M-BLACK-40KG	97	40kg	450
SCPO-60-500M-BLACK-40KG	97	40kg	500

SCPO-60-450M-BLACK-70KG	97	70kg	450
SCPO-60-500M-BLACK-70KG	97	70kg	500

SCPO-60-400B-BLACK-40KG	138	40kg	400
SCPO-60-450B-BLACK-40KG	138	40kg	450
SCPO-60-500B-BLACK-40KG	138	40kg	500

SCPO-60-450B-BLACK-70KG	138	70kg	450
SCPO-60-500B-BLACK-70KG	138	70kg	500

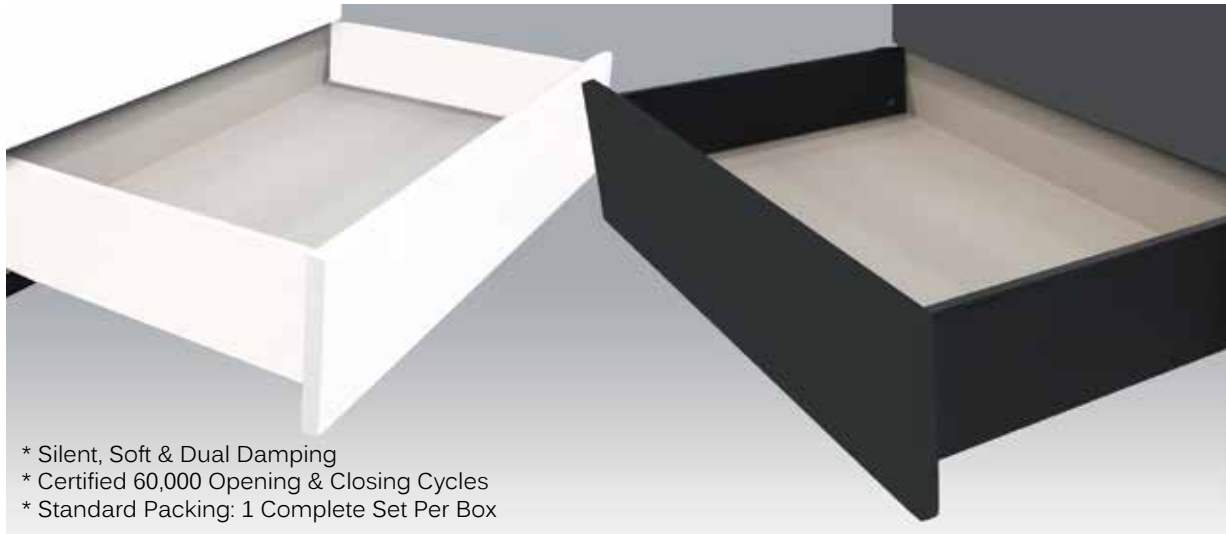
Item No. (Kits)	H	Weight	Drawer Length
SCPO-60-400D-BLACK-40KG	185	40kg	400
SCPO-60-450D-BLACK-40KG	185	40kg	450
SCPO-60-500D-BLACK-40KG	185	40kg	500

SCPO-60-450D-BLACK-70KG	185	70kg	450
SCPO-60-500D-BLACK-70KG	185	70kg	500

SCPO-60-400E-BLACK-40KG	249	40kg	400
SCPO-60-450E-BLACK-40KG	249	40kg	450
SCPO-60-500E-BLACK-40KG	249	40kg	500

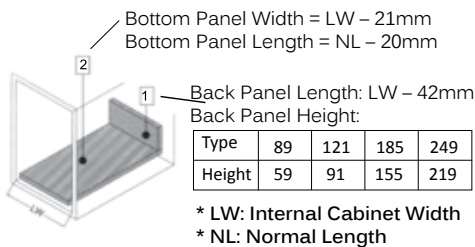
SCPO-60-450E-BLACK-70KG	249	70kg	450
SCPO-60-500E-BLACK-70KG	249	70kg	500

Vero Slim Drawer Systems

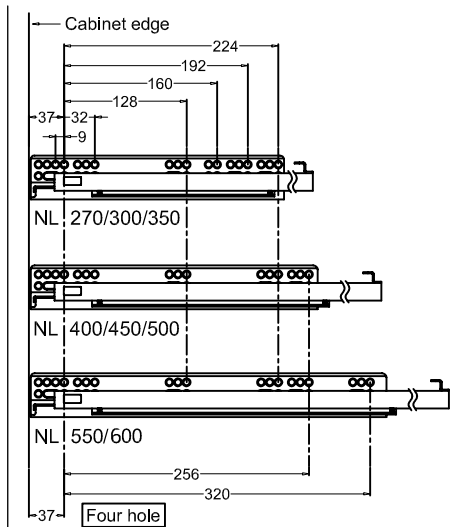


- * Silent, Soft & Dual Damping
- * Certified 60,000 Opening & Closing Cycles
- * Standard Packing: 1 Complete Set Per Box

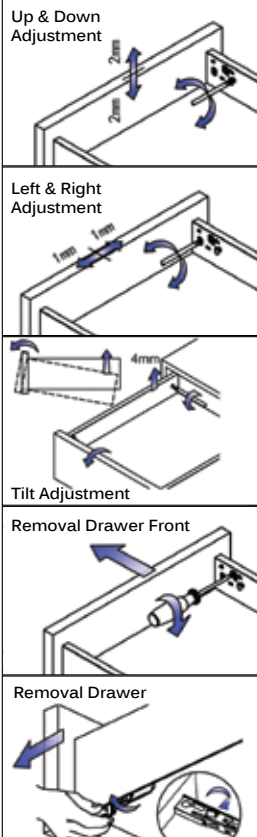
Drawer Back & Bottom Dimensions



Screw Positions Of The Sides

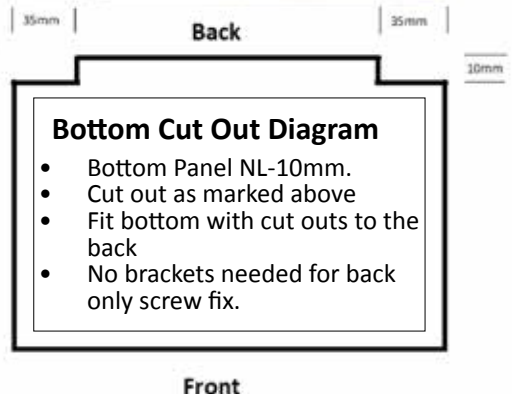
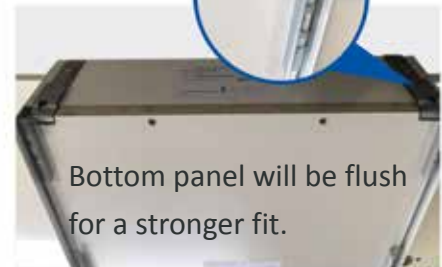


Drawer Adjustment



- Soft Closing or Push Open
- 13mm Ultra Slim Drawer Sides
- 6-Way Adjustment Include Tilt Adjustment 4mm
- Specs on Cabmaster & Cabinet Vision
- 4 Heights Available
- Load Capacity: 35kg

Alternative Cut Out



89mm Marking Jig

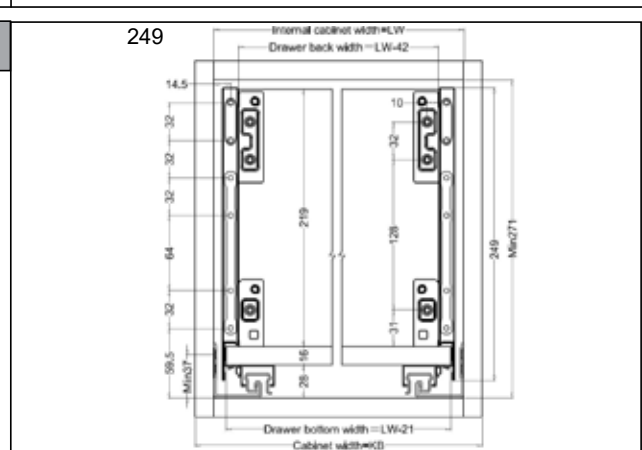
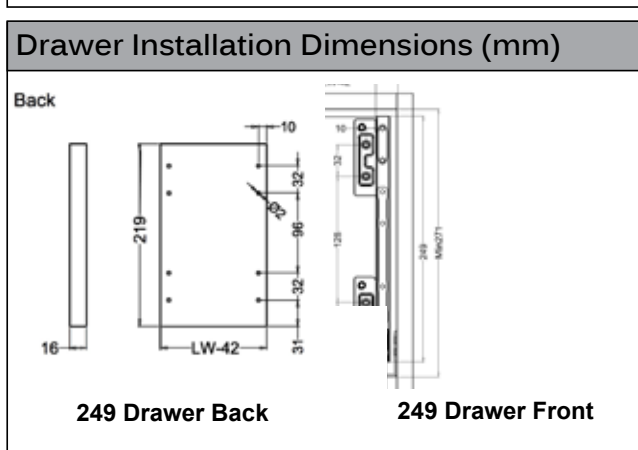
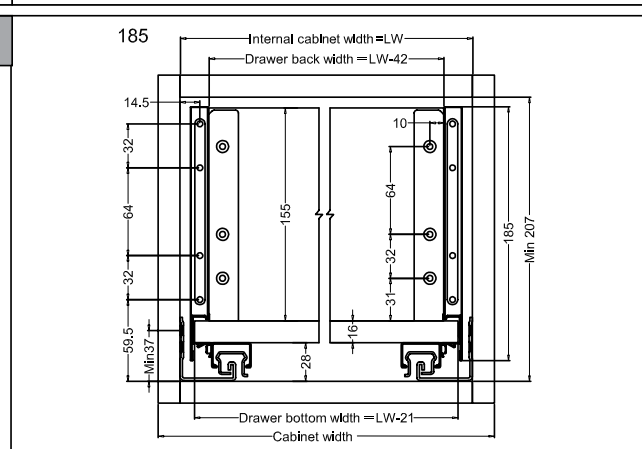
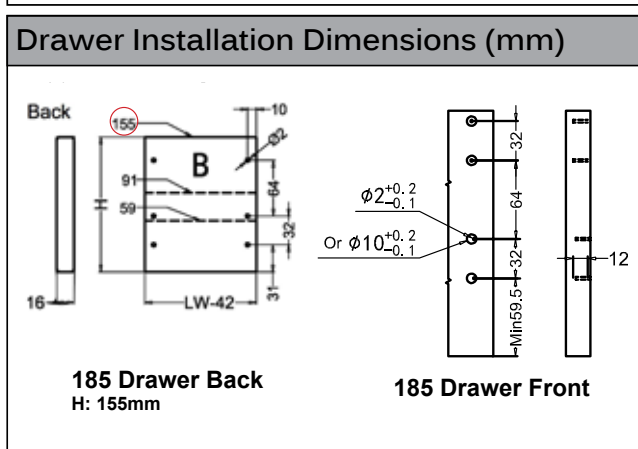
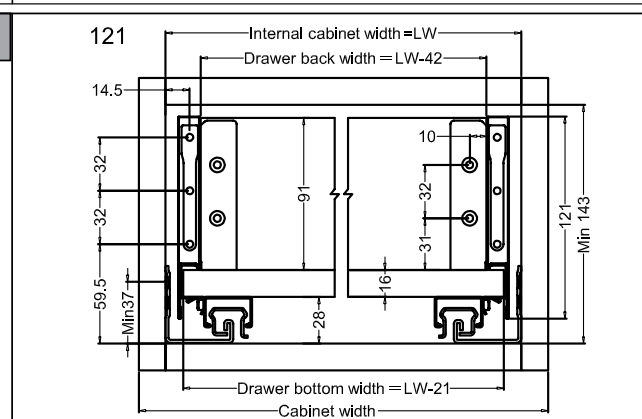
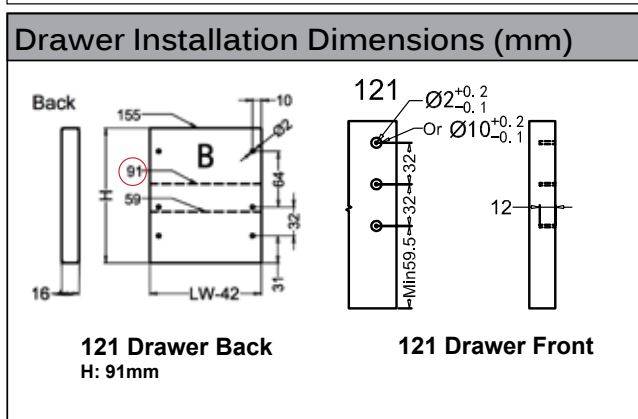
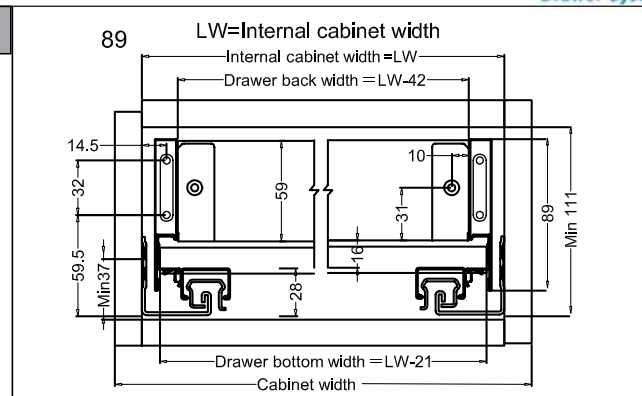
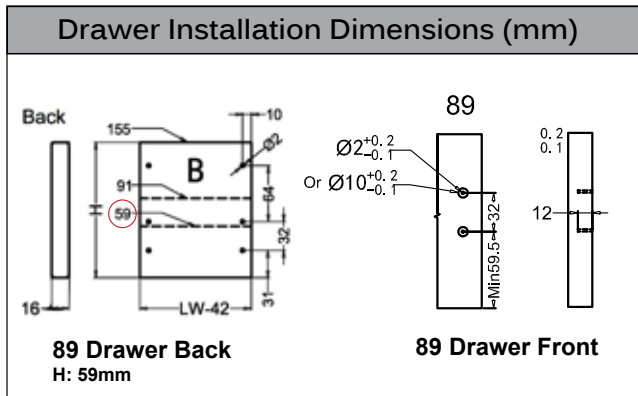


121mm Marking Jig



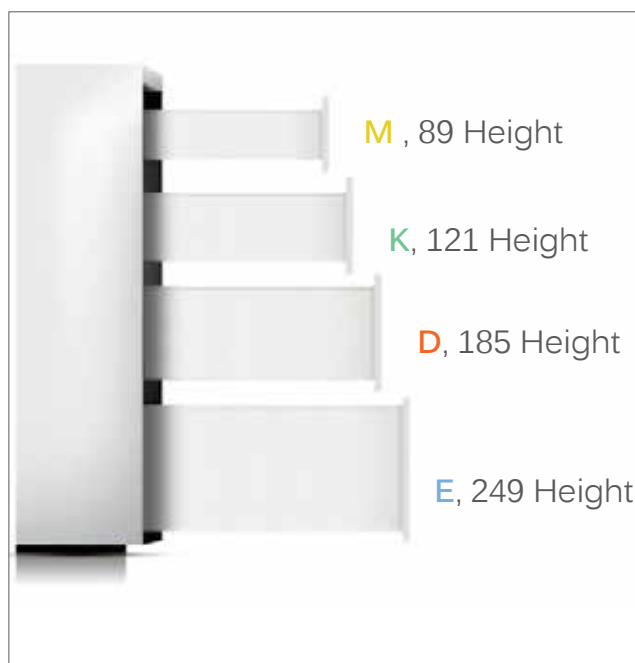
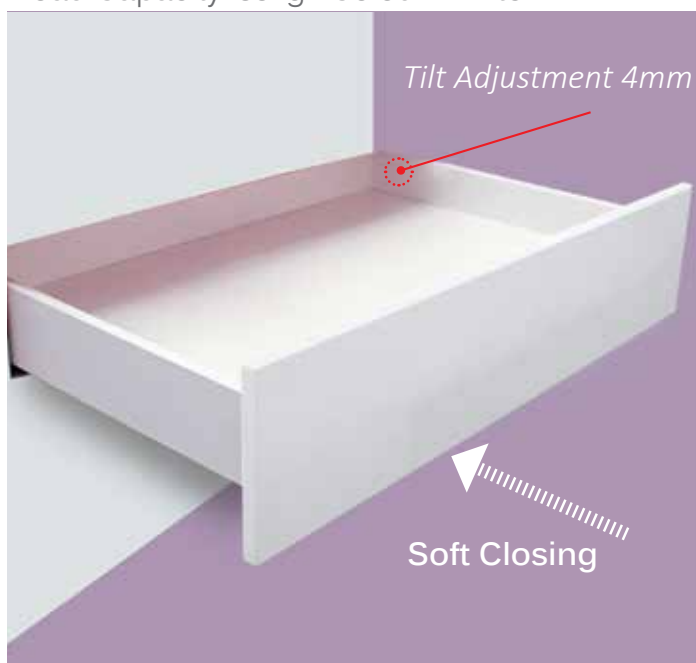
185mm Marking Jig

Sign Up to check prices & order online



Vero Slim Drawer Set- Soft Closing 89/ 121/ 185/ 249mm Height, White

Load Capacity: 35kg Colour: White



3 Drawer Systems

Item No.	Height	Drawer Length
SC-801-270M	89	270
SC-801-350M	89	350
SC-801-400M	89	400
SC-801-450M	89	450
SC-801-500M	89	500
SC-801-550M	89	550
SC-801-600M	89	600

Item No.	Height	Drawer Length
SC-803-270D	185	270
SC-803-350D	185	350
SC-803-400D	185	400
SC-803-450D	185	450
SC-803-500D	185	500
SC-803-550D	185	550
SC-803-600D	185	600

Item No.	Height	Drawer Length
SC-802-270K	121	270
SC-802-350K	121	350
SC-802-400K	121	400
SC-802-450K	121	450
SC-802-500K	121	500
SC-802-550K	121	550
SC-802-600K	121	600

Item No.	Height	Drawer Length
SC-804-270E	249	270
SC-804-350E	249	350
SC-804-400E	249	400
SC-804-450E	249	450
SC-804-500E	249	500
SC-804-550E	249	550
SC-804-600E	249	600

Sign Up to check prices & order online

Vero Slim Drawer Set- Soft Closing 89/ 121/ 185/ 249mm Height, Black

Load Capacity: 35kg Colour: Black



3 Drawer Systems

Item No.	Height	Drawer Length
SC-801-270M-BLACK	89	270
SC-801-350M-BLACK	89	350
SC-801-400M-BLACK	89	400
SC-801-450M-BLACK	89	450
SC-801-500M-BLACK	89	500
SC-801-550M-BLACK	89	550
SC-801-600M-BLACK	89	600

Item No.	Height	Drawer Length
SC-803-270D-BLACK	185	270
SC-803-350D-BLACK	185	350
SC-803-400D-BLACK	185	400
SC-803-450D-BLACK	185	450
SC-803-500D-BLACK	185	500
SC-803-550D-BLACK	185	550
SC-803-600D-BLACK	185	600

Item No.	Height	Drawer Length
SC-802-270K-BLACK	121	270
SC-802-350K-BLACK	121	350
SC-802-400K-BLACK	121	400
SC-802-450K-BLACK	121	450
SC-802-500K-BLACK	121	500
SC-802-550K-BLACK	121	550
SC-802-600K-BLACK	121	600

Item No.	Height	Drawer Length
SC-804-270E-BLACK	249	270
SC-804-350E-BLACK	249	350
SC-804-400E-BLACK	249	400
SC-804-450E-BLACK	249	450
SC-804-500E-BLACK	249	500
SC-804-550E-BLACK	249	550
SC-804-600E-BLACK	249	600

Sign Up to check prices & order online

Vero Slim Internal Drawer Set- Soft Closing 89mm Height White

★ Cutting Specification
Front Panel Length
= Internal Width - 87mm

Order Recommendation



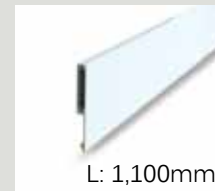
Standard Drawer Set 89mm Height
Item No. : SC-801 Series

+



Front Corner Bracket
Item No. : SC-801-Inner Bracket

+



Front Panel
Item No. : SC-803-Inner Panel

Vero Slim Internal Drawer Set- Soft Closing 121mm Height White

★ Cutting Specification
Front Panel Length
= Internal Width - 87mm

Order Recommendation



Standard Drawer Set 121mm Height
Item No. : SC-802 Series

+



Front Corner Bracket
Item No. : SC-802-Inner Bracket

+



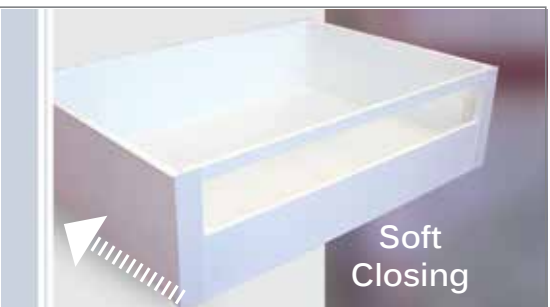
Front Panel
Item No. : SC-803-Inner Panel

Vero Slim Internal Drawer Set- Soft Closing 185mm Height White

★ Cutting Specification
Front Panel Length
= Internal Width - 87mm

Front Cross Rail Length
= Internal Width - 55mm

Order Recommendation



Standard Drawer Set 89mm Height
Item No.
SC-803 Series

+



Front Corner Bracket
Item No.
SC-803-Inner Bracket

+



Front Cross Rail
Item No.
SC-803-Inner Rail

+



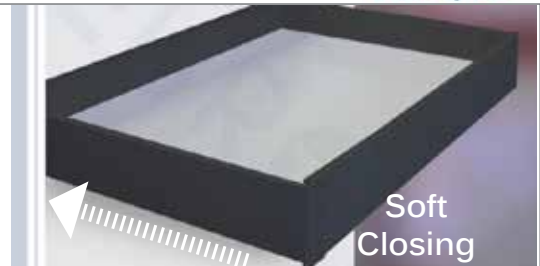
Front Panel
Item No.
SC-803-Inner Panel

Vero
Drawer System

Vero Slim Internal Drawer Set- Soft Closing 89mm Height White

★ Cutting Specification
Front Panel Length
= Internal Width - 87mm

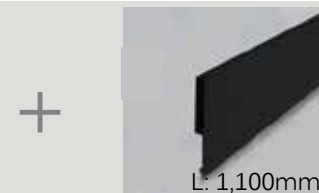
Order Recommendation



Standard Drawer Set 89mm Height
Item No. : SC-801 Black Series



Front Corner Bracket
Item No. : SC-801-Inner Bracket Black



Front Panel
Item No. : SC-803-Inner Panel Black

Vero Slim Internal Drawer Set- Soft Closing 121mm Height White

★ Cutting Specification
Front Panel Length
= Internal Width - 87mm

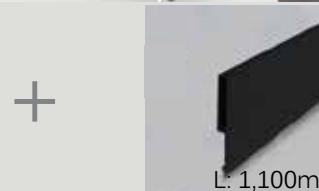
Order Recommendation



Standard Drawer Set 121mm Height
Item No. : SC-802 Black Series



Front Corner Bracket
Item No. : SC-802-Inner Bracket Black



Front Panel
Item No. : SC-803-Inner Panel Black

Vero Slim Internal Drawer Set- Soft Closing 185mm Height White

★ Cutting Specification
Front Panel Length = Internal Width - 87mm
Front Cross Rail Length = Internal Width - 55mm

Order Recommendation



Standard Drawer Set 89mm Height
Item No. SC-803 Black Series



Front Corner Bracket
Item No. SC-803-Inner Bracket Black



Front Cross Rail
Item No. SC-803-Inner Rail Black



Front Panel
Item No. SC-803-Inner Panel Black

Vero Slim Drawer Set- Push Open 89/ 121/ 185/ 249mm Height, White

Load Capacity: 35kg Colour: White



Item No.	Height	Drawer Length
SC-801(PO)-400M	89	400
SC-801(PO)-450M	89	450
SC-801(PO)-500M	89	500

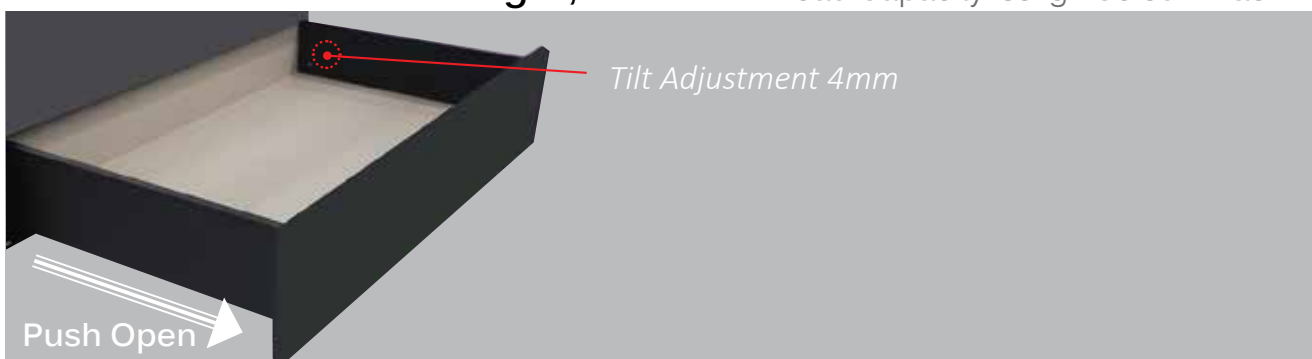
Item No.	Height	Drawer Length
SC-803(PO)-400D	185	400
SC-803(PO)-450D	185	450
SC-803(PO)-500D	185	500

Item No.	Height	Drawer Length
SC-802(PO)-400K	121	400
SC-802(PO)-450K	121	450
SC-802(PO)-500K	121	500

Item No.	Height	Drawer Length
SC-804(PO)-400E	249	400
SC-804(PO)-450E	249	450
SC-804(PO)-500E	249	500

Vero Slim Drawer Set- Push Open 89/ 121/ 185/ 249mm Height, Black

Load Capacity: 35kg Colour: Black



Item No.	Height	Drawer Length
SC-801(PO)-400M-Black	89	400
SC-801(PO)-450M-Black	89	450
SC-801(PO)-500M-Black	89	500

Item No.	Height	Drawer Length
SC-803(PO)-400D-Black	185	400
SC-803(PO)-450D-Black	185	450
SC-803(PO)-500D-Black	185	500

Item No.	Height	Drawer Length
SC-802(PO)-400K-Black	121	400
SC-802(PO)-450K-Black	121	450
SC-802(PO)-500K-Black	121	500

Item No.	Height	Drawer Length
SC-804(PO)-400E-Black	249	400
SC-804(PO)-450E-Black	249	450
SC-804(PO)-500E-Black	249	500

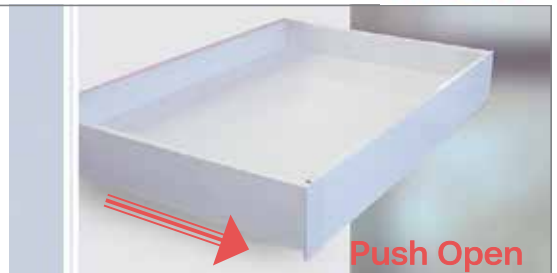
Sign Up to check prices & order online

Vero
Drawer System

Vero Slim Internal Drawer Set- Push Open 89mm Height, Black

★ Cutting Specification
Front Panel Length
= Internal Width - 87mm

Order Recommendation



Standard Drawer Set 89mm Height
Item No. : SC-801(PO) Series

+



Front Corner Bracket
Item No. : SC-801-Inner Bracket

+

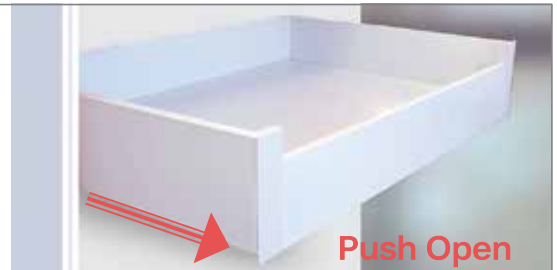


Front Panel
Item No. : SC-803-Inner Panel

Vero Slim Internal Drawer Set- Push Open 121mm Height, Black

★ Cutting Specification
Front Panel Length
= Internal Width - 87mm

Order Recommendation



Standard Drawer Set 121mm Height
Item No. : SC-802 (PO)Series

+



Front Corner Bracket
Item No. : SC-802-Inner Bracket

+

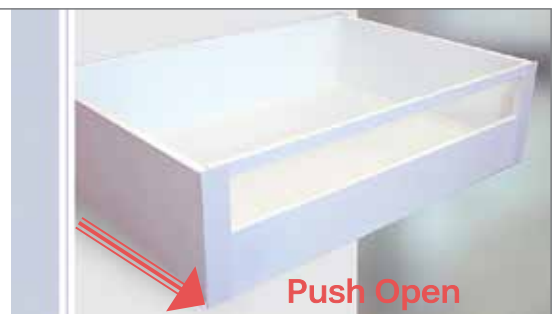


Front Panel
Item No. : SC-803-Inner Panel

Vero Slim Internal Drawer Set- Push Open 185mm Height, Black

★ Cutting Specification
Front Panel Length = Internal Width - 87mm
Front Cross Rail Length = Internal Width - 55mm

Order Recommendation



Standard Drawer Set 89mm Height
Item No.
SC-803 (PO)Series

+



Front Corner Bracket
Item No.
SC-803-Inner Bracket

+



Front Cross Rail
Item No.
SC-803-Inner Rail

+



Front Panel
Item No.
SC-803-Inner Panel

Vero
Drawer System

Vero Slim Internal Drawer Set- Push Open 89mm Height Black

★ Cutting Specification
Front Panel Length
= Internal Width - 87mm

Order Recommendation



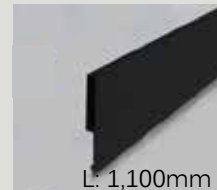
Standard Drawer Set 89mm Height
Item No. : SC-801(PO) Black Series

+



Front Corner Bracket
Item No. : SC-801-Inner Bracket Black

+



Front Panel
Item No. : SC-803-Inner Panel Black

Vero Slim Internal Drawer Set- Push Open 121mm Height Black

★ Cutting Specification
Front Panel Length
= Internal Width - 87mm

Order Recommendation



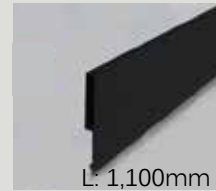
Standard Drawer Set 121mm Height
Item No. : SC-802(PO) Black Series

+



Front Corner Bracket
Item No. : SC-802-Inner Bracket Black

+



Front Panel
Item No. : SC-803-Inner Panel Black

Vero Slim Internal Drawer Set- Push Open 185mm Height Black

★ Cutting Specification
Front Panel Length = Internal Width - 87mm
Front Cross Rail Length = Internal Width - 55mm

Order Recommendation



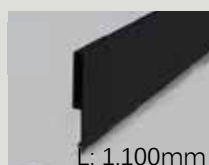
Standard Drawer Set 89mm Height
Item No.
SC-803(PO) Black Series

+



Front Corner Bracket
Item No.
SC-803-Inner Bracket Black

+



Front Cross Rail
Item No.
SC-803-Inner Rail Black

+



Front Panel
Item No.
SC-803-Inner Panel Black

Sign Up to check prices & order online

Vero Slim Drawer Accessories



Front Brackets / Connector

1. Front Connector H89mm	2. Front Connector H121mm	3. Front Connector H185mm	4. Front Connector H249mm	5. Support Bracket	6. Cover Cap
SEQ No.	Item No.	Description			
1	SC-801-F/Connector	Front Connector For H89mm (piece)			
2	SC-802-F/Connector	Front Connector For H121mm (piece)			
3	SC-803-F/Connector	Front Connector For H185mm (piece)			
4	SC-804-F/Connector	Front Connector For H249mm (piece)			
5	SC-201-297	Draw Front Support Bracket (piece)			
6	SC-801-Cover Cap-White	Slim Drawer Cover Cap White			
7	SC-801-Cover Cap-Black	Slim Drawer Cover Cap Black			

Inner Drawer Accessories

1. H:89mm	2. H:121mm	3. H:185mm	4. Front Cross Rail	5. Front Panel
SEQ No.	Item No.	Description		
1	SC-801-Inner-Bracket	Inner Drawer (H: 89mm) Front Connectors (Set)		
2	SC-802-Inner-Bracket	Inner Drawer (H: 121mm) Front Connectors (Set)		
3	SC-803-Inner-Bracket	Inner Drawer (H: 185mm) Front Connectors (Set)		
4	SC-803-Inner-Rail	Inner Drawer Front Cross Rail, L: 1,100mm (piece)		
5	SC-803-Inner-Panel	Inner Drawer Front Panel, L: 1,100mm (piece)		

Inner Drawer Accessories

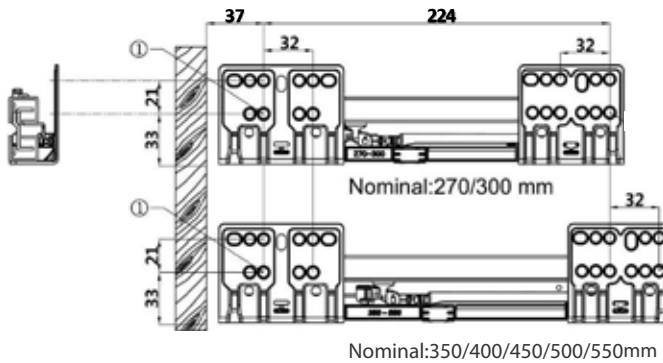
1. H:89mm	2. H:121mm	3. H:185mm	4. Front Cross Rail	5. Front Panel
SEQ No.	Item No.	Description		
1	SC-801-Inner-Bracket-Black	Inner Drawer (H: 89mm) Front Connectors (Set) Black		
2	SC-802-Inner-Bracket-Black	Inner Drawer (H: 121mm) Front Connectors (Set) Black		
3	SC-803-Inner-Bracket-Black	Inner Drawer (H: 185mm) Front Connectors (Set) Black		
4	SC-803-Inner-Rail-Black	Inner Drawer Front Cross Rail, L: 1,100mm (piece) Black		
5	SC-803-Inner-Panel-Black	Inner Drawer Front Panel, L: 1,100mm (piece) Black		

Vero Standard Drawer Systems

* Standard Packing: 1 Complete Set Per Box



Slide installation

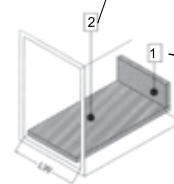


Bottom & Back Panels Measurement

LW: Internal Cabinet Width

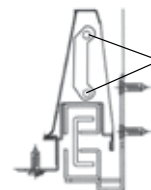
Bottom Panel Width = $LW - 75 \pm 0.5$

Bottom Panel Length = Nominal Length - 24mm



Back Panel Height:
84/ 135/ 167/199 mm

Back Panel Length = $LW - 87 \pm 0.5$



Pay Attention To
The Direction
Of Bracket



Front fixing brackets
with expandable dowels
10 x 9.9mm



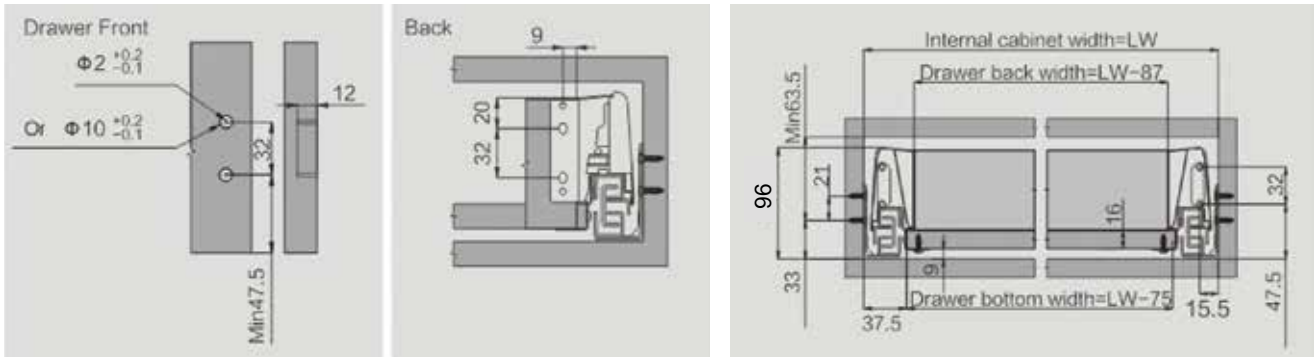
Drawer Front Marking Jig
Item No. SC-201-Jig



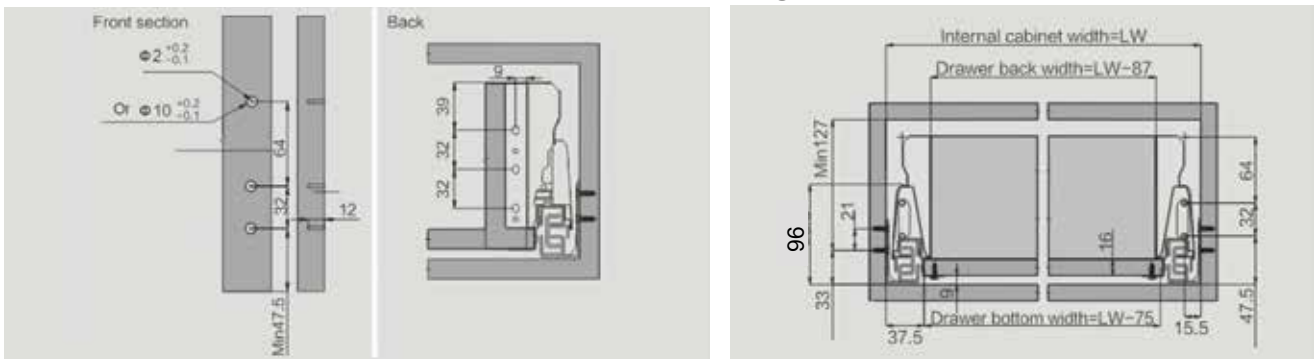
Drawer Front Marking Jig
Item No. SC-203-Jig

- **Soft Closing or Push Open**
- **Specs on Cabmaster & Cabinet Vision**
- **Max Load 35kg/ 50kg**
- **Certified 60, 000 Opening & Closing Cycles**
- **Silent, Soft & Dual Damping**
- **4 Heights Available**

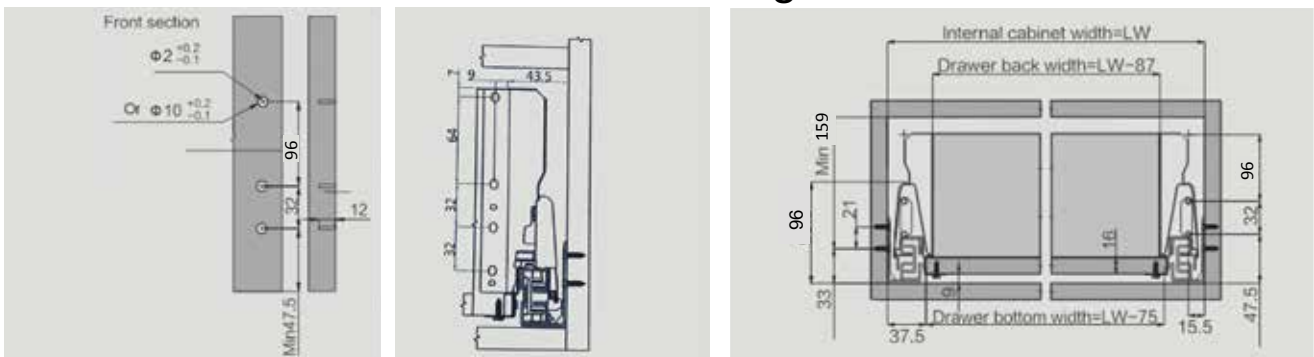
Vero Standard Drawer Set- 84mm Height



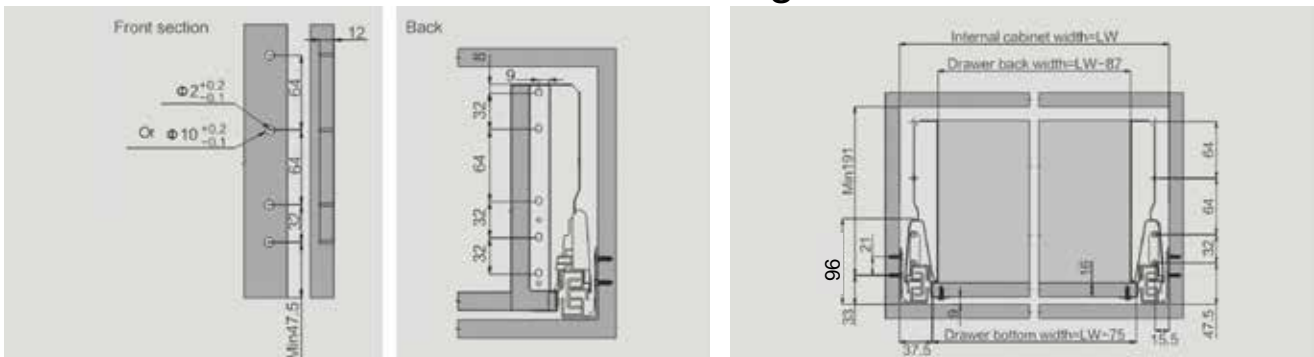
Vero Standard Drawer Set- 135mm Height



Vero Standard Drawer Set- 167mm Height



Vero Standard Drawer Set- 199mm Height



Vero Standard Drawer Set- Soft Closing

Load Capacity: 35/50kg Colour: White

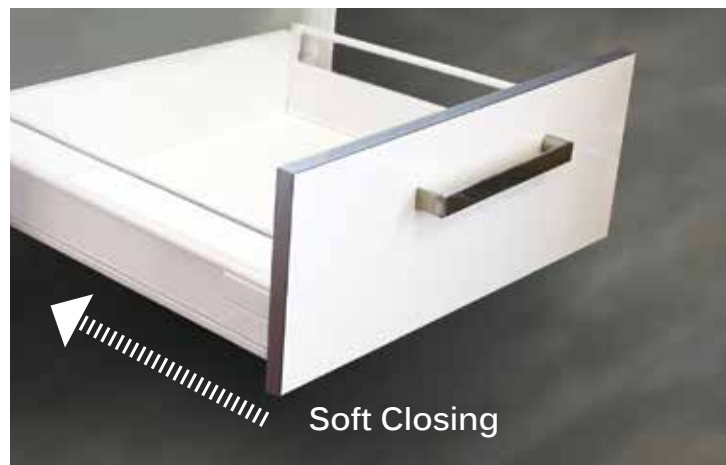
84mm Height

Item No.	Drawer Length
SC-201-270M-KIT	270
SC-201-350M-KIT	350
SC-201-400M-KIT	400
SC-201-450M-KIT	450
SC-201-500M-KIT	500
SC-201-500M-50KG-KIT	500
SC-201-550M-KIT	550
SC-201-550M-50KG-KIT	550



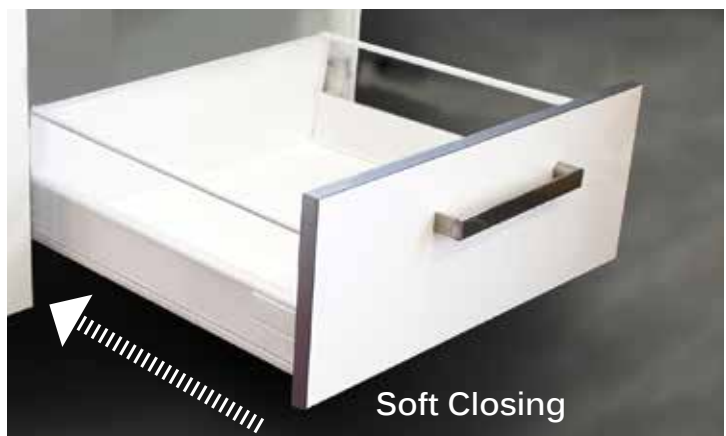
135mm Height with Single Gallery Rails

Item No.	Drawer Length
SC-202-270B-KIT	270
SC-202-350B-KIT	350
SC-202-400B-KIT	400
SC-202-450B-KIT	450
SC-202-500B-KIT	500
SC-202-500B-50KG-KIT	500
SC-202-550B-KIT	550
SC-202-550B-50KG-KIT	550



167mm Height with Single Gallery Rails

Item No.	Drawer Length
SC-204-270C-KIT	270
SC-204-350C-KIT	350
SC-204-400C-KIT	400
SC-204-450C-KIT	450
SC-204-500C-KIT	500
SC-204-500C-50KG-KIT	500
SC-204-550C-KIT	550
SC-204-550C-50KG-KIT	550



Vero Standard Drawer Set- Soft Closing

Load Capacity: 35/50kg Colour: White

199mm Height with Single Gallery Rails

Item No.	Drawer Length
SC-203-270D-KIT	270
SC-203-350D-KIT	350
SC-203-400D-KIT	400
SC-203-450D-KIT	450
SC-203-500D-KIT	500
SC-203-500D-50kg-KIT	500
SC-203-550D-KIT	550
SC-203-550D-50kg-KIT	550



199mm Height with Double Gallery Rails

Item No.	Drawer Length
SC-203DR-500D-KIT	500
SC-203DR-500D-50kg-KIT	500
SC-201-850	Mid Rail Set 500mm



199mm Height with Single Gallery Rail + Double Wall Panels

Item No.	Drawer Length
SC-203BS-350D-KIT	350
SC-203BS-400D-KIT	400
SC-203BS-450D-KIT	450
SC-203BS-500D-KIT	500
SC-203BS-500D-50kg-KIT	500
SC-203BS-550D-KIT	550
SC-203BS-550D-50kg-KIT	550



Variable Height Rails (work with any 500mm Vero drawer set)

** Variable Height Rails can be placed at any height*



Install independently
(screw from the back of panel)

Colour: White

Item No.

Description

SC-201-950

500mm Variable Rails

Order Recommendation



Variable Rails with
Standard Drawer Set
84mm Height



Variable Rails with
Drawer Set with Single Rail
135mm Height



Variable Rails with
Drawer Set
+ Double Gallery Rails
199mm Height



Variable Rails with
Drawer Set
+ Double Wall Panels
199mm Height

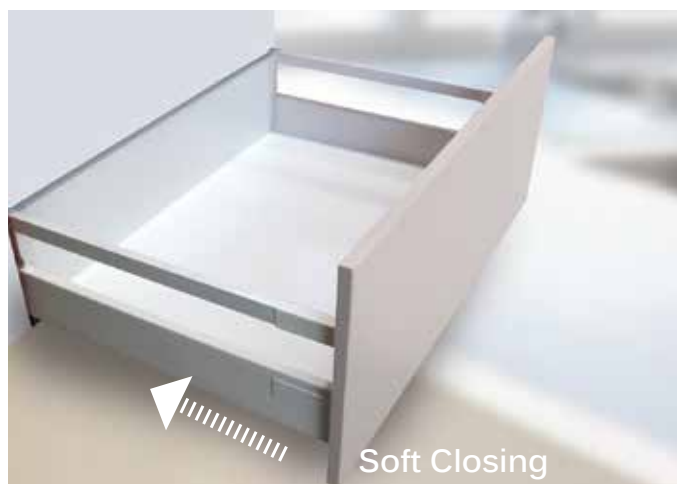
Vero Standard Drawer Set- Soft Closing

Load Capacity: 35/50kg

Colour: White

Vero
Drawer System

135/ 167/ 199 mm Height with Square Rails



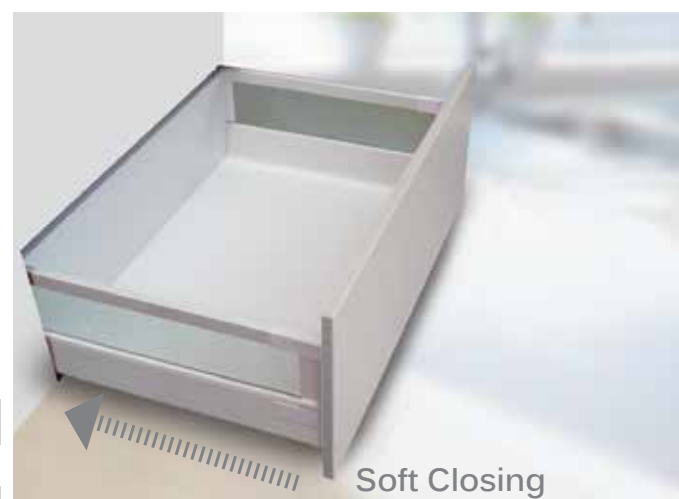
Item No.	Height	Drawer Length
SC-202-270B(SQ)-KIT	135mm	270mm
SC-202-350B(SQ)-KIT	135mm	350mm
SC-202-400B(SQ)-KIT	135mm	400mm
SC-202-450B(SQ)-KIT	135mm	450mm
SC-202-500B(SQ)-KIT	135mm	500mm
SC-202-550B(SQ)-KIT	135mm	550mm
SC-202-500B(SQ)-50KG-KIT	135mm	500mm
SC-202-550B(SQ)-50KG-KIT	135mm	550mm

Item No.	Height	Drawer Length
SC-204-270C(SQ)-KIT	167mm	270mm
SC-204-350C(SQ)-KIT	167mm	350mm
SC-204-400C(SQ)-KIT	167mm	400mm
SC-204-450C(SQ)-KIT	167mm	450mm
SC-204-500C(SQ)-KIT	167mm	500mm
SC-204-550C(SQ)-KIT	167mm	550mm
SC-204-500C(SQ)-50KG-KIT	167mm	500mm
SC-204-550C(SQ)-50KG-KIT	167mm	550mm

Item No.	Height	Drawer Length
SC-203-270D(SQ)-KIT	199mm	270mm
SC-203-350D(SQ)-KIT	199mm	350mm
SC-203-400D(SQ)-KIT	199mm	400mm
SC-203-450D(SQ)-KIT	199mm	450mm
SC-203-500D(SQ)-KIT	199mm	500mm
SC-203-550D(SQ)-KIT	199mm	550mm
SC-203-500D(SQ)-50KG-KIT	199mm	500mm
SC-203-550D(SQ)-50KG-KIT	199mm	550mm

199mm Height with Square Rails + Frosted Glass Sides

Item No.	Drawer Length
SC-203BS(Glass)-400D(SQ)-KIT	400
SC-203BS(Glass)-450D(SQ)-KIT	450
SC-203BS(Glass)-500D(SQ)-KIT	500
SC-203BS(Glass)-500D(SQ)-50KG-KIT	500
SC-203BS(Glass)-550D(SQ)-KIT	550
SC-203BS(Glass)-550D(SQ)-50KG-KIT	550
SC-203BS-Glass Clip	Clips For Glass Sides



3 Drawer Systems

Sign Up to check prices & order online

www.eurofit.com.au

Vero
Drawer System

Vero Standard Internal Drawer Set - Soft Closing 84mm Height

★ Cutting Specification
Front Panel Length
= Internal Width - 87mm



Soft Closing

Order Recommendation



Standard Drawer Set 84mm Height
Item No.
SC-201 Series

+



Front Corner Bracket
Item No.
SC-201-Inner-301

+



Front Panel
Item No.
SC-201-Inner-311
L: 1,100mm

Vero Standard Internal Drawer Set- Soft Closing + Single Gallery Rail 135mm Height

★ Cutting Specification
Front Panel Length
= Internal Width - 87mm
Front Cross Rail Length
= Internal Width - 71mm



Soft Closing

Order Recommendation



Standard Drawer Set 135mm Height
Item No.
SC-202 Series

+



Front Corner Bracket
Item No.
SC-201-Inner-302

+



Front Panel
Item No.
SC-201-Inner-311
L: 1,100mm

+

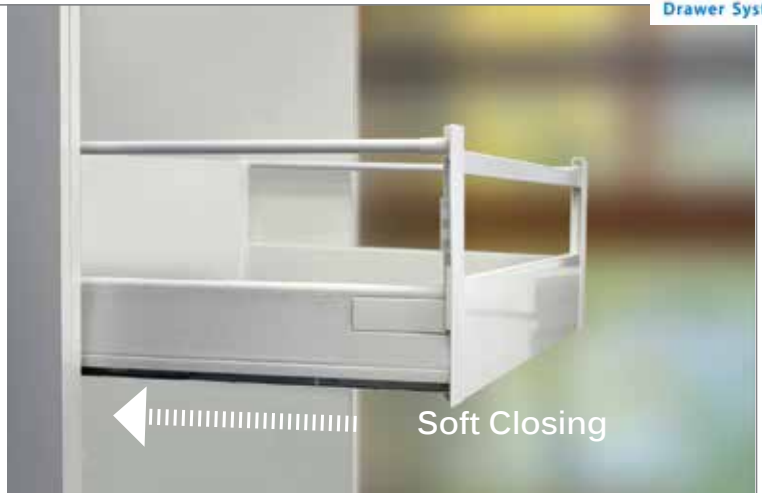


Front Cross Rail
Item No.
SC-201-Inner-306
L: 1,100mm

Vero Standard Internal Drawer Set- Soft Closing + Single Gallery Rail 199mm Height

- ★ Cutting Specification
Front Panel Length
= Internal Width - 87mm
Front Cross Rail Length
= Internal Width - 71mm

Order Recommendation



Standard Drawer Set 199mm Height
Item No.
SC-203 Series



Front Corner Bracket
Item No.
SC-201-Inner-303



Front Panel
Item No.
SC-201-Inner-311



Front Cross Rail
Item No.
SC-201-Inner-306

Vero Standard Internal Drawer Set- Soft Closing + Single Gallery Rail + Double Wall Panels 199mm Height

- ★ Cutting Specification
Front Panel Length
= Internal Width - 87mm
Front Cross Rail Length
= Internal Width - 71mm

Order Recommendation



Standard Drawer Set 199mm Height
Item No.
SC-203 With Double Wall Panels Series



Front Corner Bracket
Item No.
SC-201-Inner-303



Front Panel
Item No.
SC-201-Inner-311



Front Cross Rail
Item No.
SC-201-Inner-306

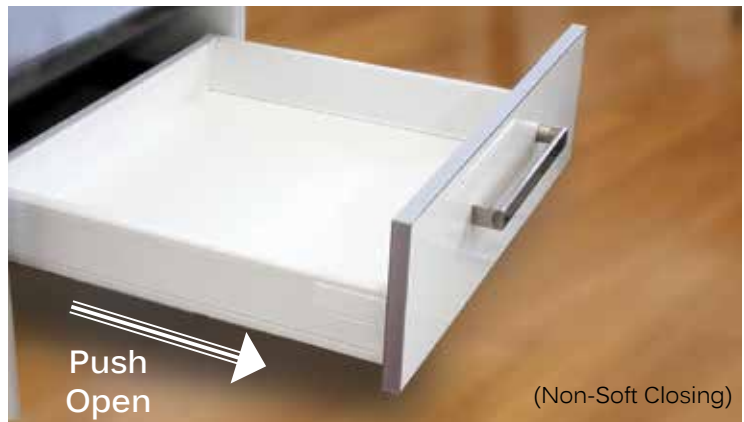
Vero Standard Drawer Set- Push Open

Load Capacity: 35kg Colour: White



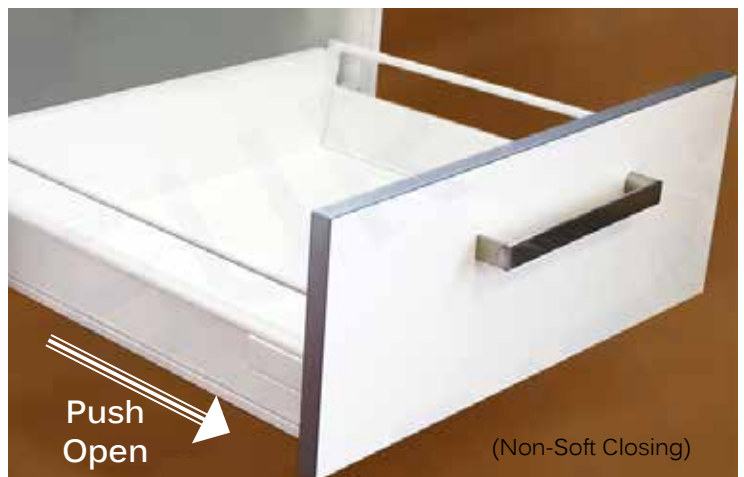
84mm Height

Item No.	Drawer Length
SC-201(PO)-270M-KIT	270
SC-201(PO)-350M-KIT	350
SC-201(PO)-400M-KIT	400
SC-201(PO)-450M-KIT	450
SC-201(PO)-500M-KIT	500
SC-201(PO)-550M-KIT	550



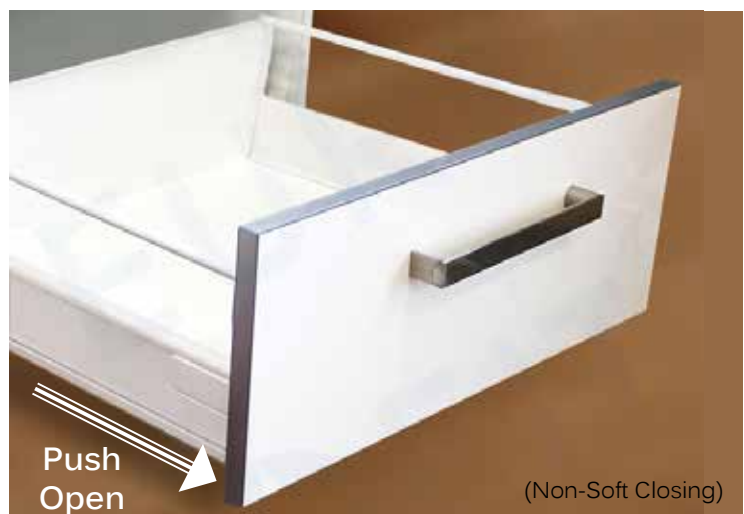
135mm Height with Single Gallery Rail

Item No.	Drawer Length
SC-202(PO)-270B-KIT	270
SC-202(PO)-350B-KIT	350
SC-202(PO)-400B-KIT	400
SC-202(PO)-450B-KIT	450
SC-202(PO)-500B-KIT	500
SC-202(PO)-550B-KIT	550



167mm Height with Single Gallery Rail

Item No.	Drawer Length
SC-204(PO)-270C-KIT	270
SC-204(PO)-350C-KIT	350
SC-204(PO)-400C-KIT	400
SC-204(PO)-450C-KIT	450
SC-204(PO)-500C-KIT	500
SC-204(PO)-550C-KIT	550



Vero Standard Drawer Set- Push Open

Load Capacity: 35kg Colour: White

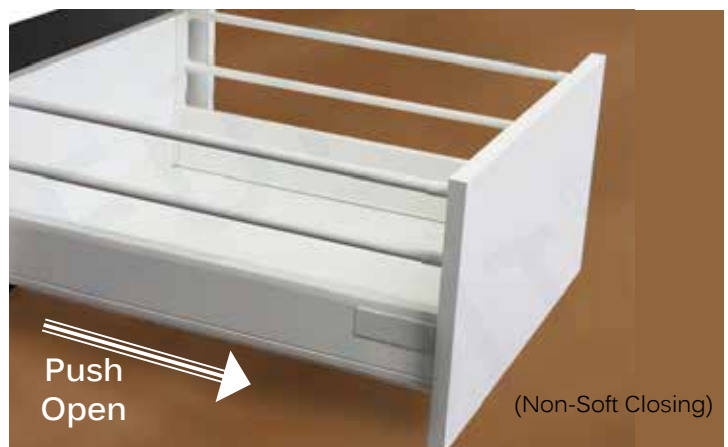
199mm Height with Single Gallery Rail

Item No.	Drawer Length
SC-203(PO)-270D-KIT	270
SC-203(PO)-350D-KIT	350
SC-203(PO)-400D-KIT	400
SC-203(PO)-450D-KIT	450
SC-203(PO)-500D-KIT	500
SC-203(PO)-550D-KIT	500



199mm Height with Double Gallery Rails

Item No.	Drawer Length
SC-203(PO)-500D-KIT	500
SC-201-850	Mid Rail Set 500mm



199mm Height with Single Gallery Rails + Double Wall Panels

Item No.	Drawer Length
SC-203BS(PO)-350D-KIT	350
SC-203BS(PO)-400D-KIT	400
SC-203BS(PO)-450D-KIT	450
SC-203BS(PO)-500D-KIT	500
SC-203BS(PO)-550D-KIT	550

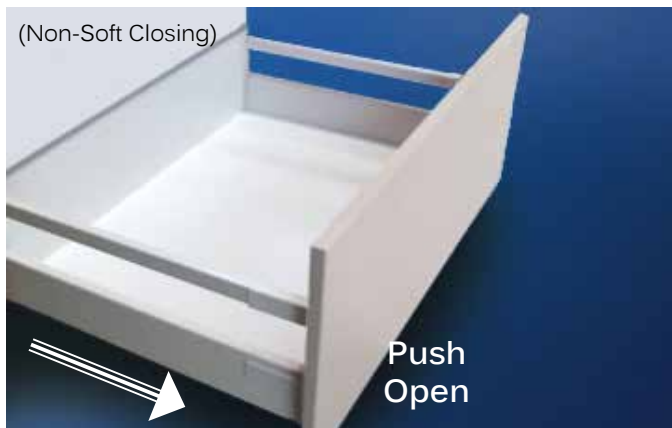


Vero Standard Drawer Set- Push Open

Load Capacity: 35kg

Colour: White

135/ 167/ 199 mm Height with Square Rails



Item No.	Height	Drawer Length
SC-202(PO)-270B(SQ)-KIT	135mm	270mm
SC-202(PO)-350B(SQ)-KIT	135mm	350mm
SC-202(PO)-400B(SQ)-KIT	135mm	400mm
SC-202(PO)-450B(SQ)-KIT	135mm	450mm
SC-202(PO)-500B(SQ)-KIT	135mm	500mm
SC-202(PO)-550B(SQ)-KIT	135mm	550mm

Item No.	Height	Drawer Length
SC-204(PO)-270C(SQ)-KIT	167mm	270mm
SC-204(PO)-350C(SQ)-KIT	167mm	350mm
SC-204(PO)-400C(SQ)-KIT	167mm	400mm
SC-204(PO)-450C(SQ)-KIT	167mm	450mm
SC-204(PO)-500C(SQ)-KIT	167mm	500mm
SC-204(PO)-550C(SQ)-KIT	167mm	550mm

Item No.	Height	Drawer Length
SC-203(PO)-270D(SQ)-KIT	199mm	270mm
SC-203(PO)-350D(SQ)-KIT	199mm	350mm
SC-203(PO)-400D(SQ)-KIT	199mm	400mm
SC-203(PO)-450D(SQ)-KIT	199mm	450mm
SC-203(PO)-500D(SQ)-KIT	199mm	500mm
SC-203(PO)-550D(SQ)-KIT	199mm	550mm

199mm Height with Square Rails + Frosted Glass Sides

Item No.	Drawer Length
SC-203BS(PO)(Glass)-400D(SQ)-KIT	400
SC-203BS(PO)(Glass)-450D(SQ)-KIT	450
SC-203BS(PO)(Glass)-500D(SQ)-KIT	500
SC-203BS(PO)(Glass)-550D(SQ)-KIT	550
SC-203BS-Glass Clip	Clips For Glass Sides

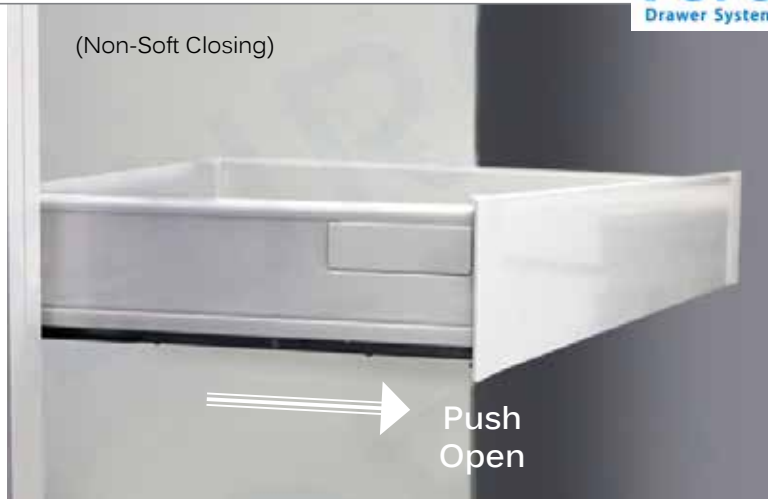


Vero
Drawer System

Vero Standard Internal Drawer Set- Push Open 84mm Height

★ Cutting Specification
Front Panel Length
= Internal Width - 87mm

(Non-Soft Closing)



Order Recommendation



Standard Drawer Set 84mm Height
Item No.
SC-201(PO) Series

+



Front Corner Bracket
Item No.
SC-201-Inner-301

+



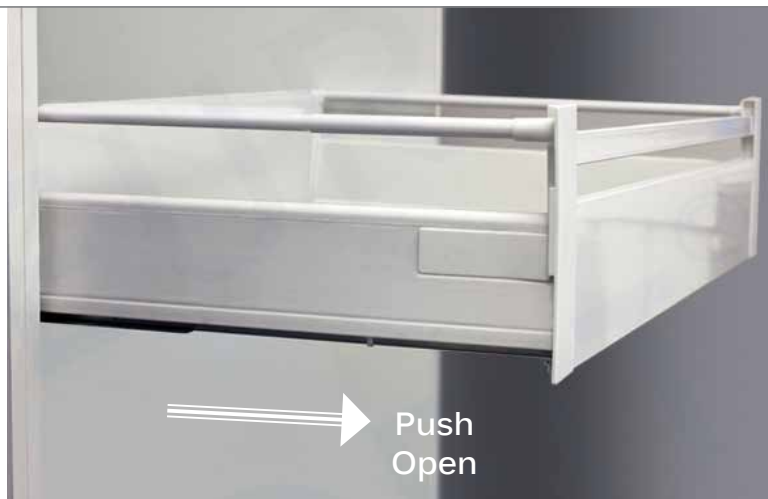
Front Panel
Item No.
SC-201-Inner-311

3 Drawer Systems

Vero Standard Internal Drawer Set- Push Open + Single Gallery Rail 135mm Height

★ Cutting Specification
Front Panel Length
= Internal Width - 87mm

Front Cross Rail Length
= Internal Width - 71mm



Order Recommendation



Standard Drawer Set 135mm Height
Item No.
SC-202(PO) Series

+



Front Corner Bracket
Item No.
SC-201-Inner-302

+



Front Panel
Item No.
SC-201-Inner-311

+

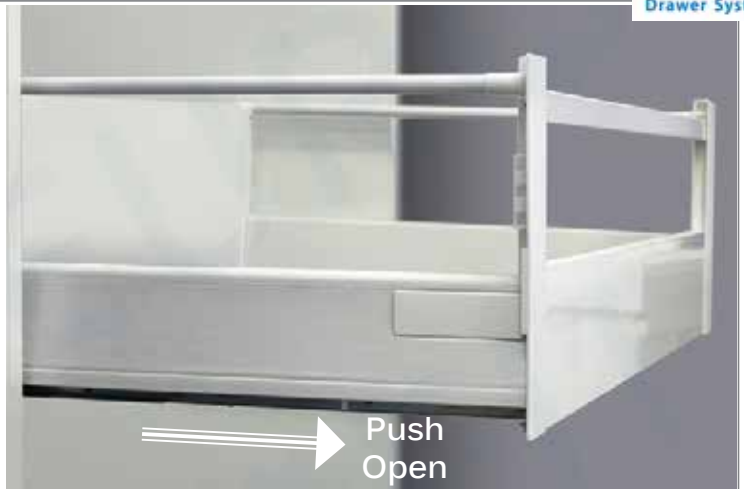


Front Cross Rail
Item No.
SC-201-Inner-306

Vero Standard Internal Drawer Set- Push Open + Single Gallery Rail 199mm Height

- ★ Cutting Specification
Front Panel Length
= Internal Width - 87mm
Front Cross Rail Length
= Internal Width - 71mm

Order Recommendation



Standard Drawer Set 199mm Height
Item No.
SC-203(PO) Series

+



Front Corner Bracket
Item No.
SC-201-Inner-303

+



Front Panel
Item No.
SC-201-Inner-311

+



Front Cross Rail
Item No.
SC-201-Inner-306

Vero Standard Internal Drawer Set- Push Open + Single Gallery Rail + Double Wall Panels 199mm Height

- ★ Cutting Specification
Front Panel Length
= Internal Width - 87mm
Front Cross Rail Length
= Internal Width - 71mm

Order Recommendation



Standard Drawer Set 199mm Height
Item No.
SC-203(PO) with Double Wall Panels
Series

+



Front Corner Bracket
Item No.
SC-201-Inner-303

+



Front Panel
Item No.
SC-201-Inner-311

+



Front Cross Rail
Item No.
SC-201-Inner-306

Vero Standard Drawer Industrial Pack- Soft Closing

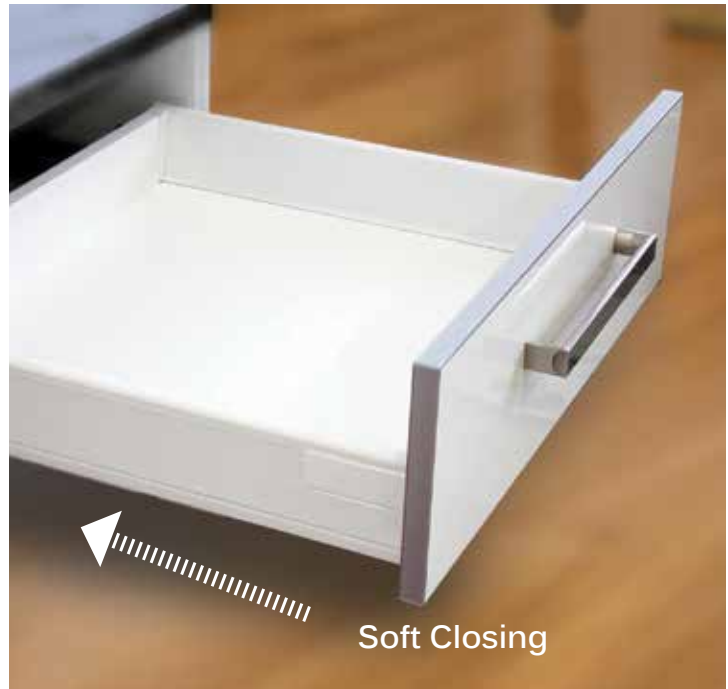
Each Set Includes:

- 1 Set Slides
- 1 Set Sides
- 1 Set Front Connectors
- 1 Set Cover Caps

* Please order back brackets and gallery rails separately

Load Capacity: 35kg Colour: White

Item No.	Drawer Length
SC-206-270	270
SC-206-350	350
SC-206-400	400
SC-206-450	450
SC-206-500	500
SC-206-500-50KG	500
SC-206-550	550
SC-206-550-50KG	550



Vero Standard Drawer Industrial Pack-Push Open

Each Set Includes:

- 1 Set Slides
- 1 Set Sides
- 1 Set Front Connectors
- 1 Set Cover Caps

* Please order back brackets and gallery rails separately





Load Capacity: 35kg Colour: White

Item No.	Drawer Length
SC-207-270(PO)	270
SC-207-350(PO)	350
SC-207-400(PO)	400
SC-207-450(PO)	450
SC-207-500(PO)	500
SC-207-550(PO)	550



Vero Standard Drawer Accessories

Back Bracket / Connector

				
		5. Front Connector	6. Cover Cap	7. Support Bracket
SEQ No.	Item No.	Description		
1	SC-201-Back/Bracket	M Height (84mm) Brackets (set)		
2	SC-202-Back/Bracket	B Height (135mm) Brackets (set)		
3	SC-204-Back/Bracket	C Height (167mm) Brackets (set)		
4	SC-203-Back/Bracket	D Height (199mm) Brackets (set)		
5	SC-201-F/Connector	Front Connector For All Heights (piece)		
6	SC-201-Cover Cap	Plain Cover Cap In White (piece)		
7	SC-201-279	Draw Front Support Bracket (piece)		

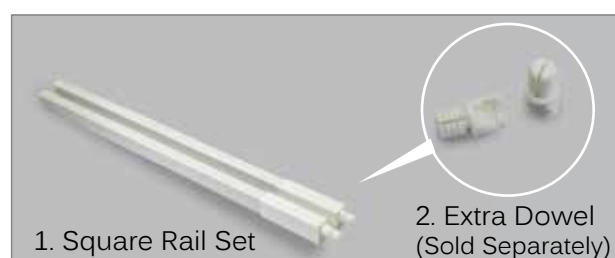
3 Drawer Systems

Round Gallery Rails



SEQ No.	Item No.	Description
1	SC-201-727R	L: 270mm
1	SC-201-735R	L: 350mm
1	SC-201-740R	L: 400mm
1	SC-201-745R	L: 450mm
1	SC-201-750R	L: 500mm
1	SC-201-755R	L: 550mm
2	SC-201-Connector	Extra Expandable Dowel For Gallery Rail (piece)

Square Gallery Rails



SEQ No.	Item No.	Description
1	SC-201-735S	L: 350mm
1	SC-201-740S	L: 400mm
1	SC-201-745S	L: 450mm
1	SC-201-750S	L: 500mm
1	SC-201-755S	L: 550mm
2	SC-201-Connector	Extra Expandable Dowel For Gallery Rail (piece)

Sign Up to check prices & order online

Vero Standard Drawer Accessories

Double Wall Panels



SEQ No.	Item No.	Description
1	SC-203-350BS	L: 350mm (set)
1	SC-203-400BS	L: 400mm (set)
1	SC-203-450BS	L: 450mm (set)
1	SC-203-500BS	L: 500mm (set)
1	SC-203-550BS	L: 550mm (set)
2	SC-203-Cap For Boxesides	Inner Cap For Boxesides

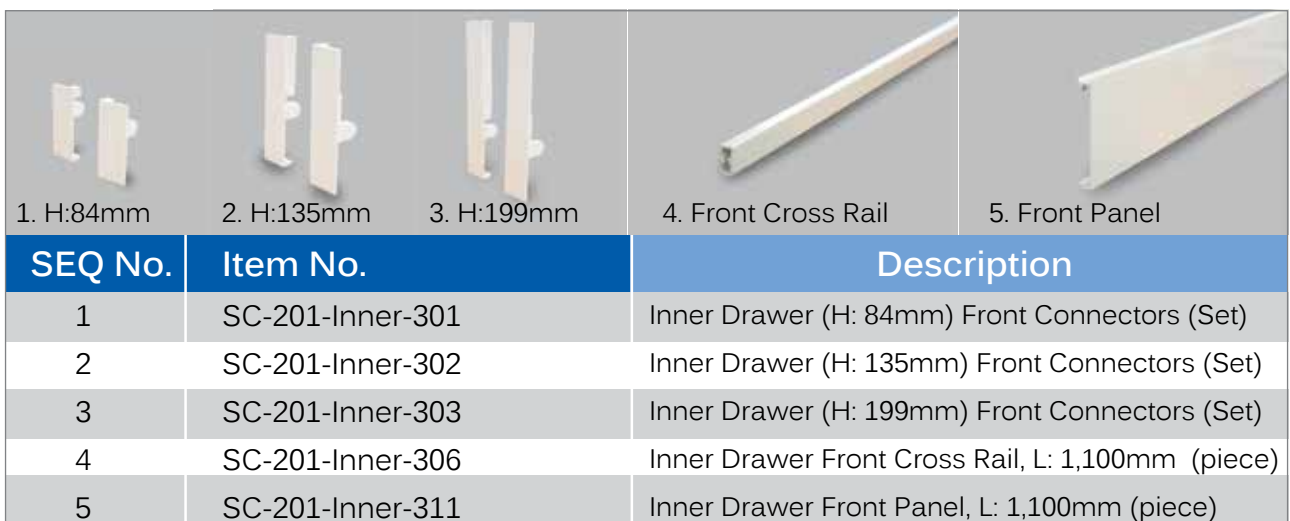
Middle Gallery Rail



Variable Height Rail



Inner Drawer Accessories



Atira Drawer Systems & Accessories

Colour: White Material: Steel Load Capacity: 30kg



Atira Drawer 70mm Height

Item No.	Height	Width
Hetti-Atira-260-70 (W)	70	260
Hetti-Atira-300-70 (W)	70	300
Hetti-Atira-350-70 (W)	70	350
Hetti-Atira-420-70 (W)	70	420
Hetti-Atira-470-70 (W)	70	470
Hetti-Atira-520-70 (W)	70	520



Atira Drawer 144mm Height

Item No.	Height	Width
Hetti-Atira-260-144 (W)	144	260
Hetti-Atira-300-144 (W)	144	300
Hetti-Atira-350-144 (W)	144	350
Hetti-Atira-420-144 (W)	144	420
Hetti-Atira-470-144 (W)	144	470
Hetti-Atira-520-144 (W)	144	520



Atira Drawer 176mm Height

Item No.	Height	Width
Hetti-Atira-260-176 (W)	176	260
Hetti-Atira-300-176 (W)	176	300
Hetti-Atira-350-176 (W)	176	350
Hetti-Atira-420-176 (W)	176	420
Hetti-Atira-470-176 (W)	176	470
Hetti-Atira-520-176 (W)	176	520

Atira Drawer Accessories

Colour: White Material: Steel



Gallery Rails



Item No.	Description	Depth
Hetti-Atira-9194536	Left	260
Hetti-Atira-9194537	Right	260
Hetti-Atira-9194538	Left	300
Hetti-Atira-9194539	Right	300
Hetti-Atira-9194540	Left	350
Hetti-Atira-9194541	Right	350
Hetti-Atira-9194542	Left	420
Hetti-Atira-9194543	Right	420
Hetti-Atira-9194544	Left	470
Hetti-Atira-9194545	Right	470
Hetti-Atira-9194546	Left	520
Hetti-Atira-9194547	Right	520



Front Connectors

Colour: White Per Piece

Item No.

Hetti-Atira-1061450.03



Front Marking Jig

Colour: White 2pcs/ Set

Item No.

Hetti-Atira-78097



Front Socket for Rail

Colour: White Per Piece

Item No.

Hetti-Atira-1061965.2



Front Stabiliser

Colour: Steel Chromed Per Set

Item No.

Hetti-Atira-9079232.00



Back Connectors 70mm

Colour: White L & R/ Set

Item No.

Hetti-Atira-9194627 (L)
Hetti-Atira-9194628 (R)



Back Connectors 144mm

Colour: White L & R/ Set

Item No.

Hetti-Atira-9194635 (L)
Hetti-Atira-9194636 (R)

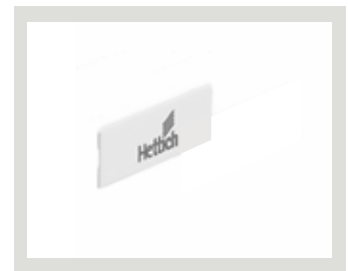


Back Connectors 176mm

Colour: White L & R/ Set

Item No.

Hetti-Atira-9194639 (L)
Hetti-Atira-9194640 (R)



Cover Cap

Colour: White Per Piece

Item No.

Hetti-Atira-9194647

Sign Up to check prices & order online



Antaro Drawer Systems

N Height

Back Bracket Height 69mm
Space Requirement 82.5mm



Size	Load Capacity
-	-
-	-
400mm	30kg
450mm	30kg
500mm	30kg
550mm	30kg
-	-

M Height

Back Bracket Height 84mm
Space Requirement 98.5mm



Size	Load Capacity
270mm	30kg
350mm	30kg
400mm	30kg
450mm	30kg/65kg
500mm	30kg/65kg
550mm	30kg/65kg
650mm	65kg

B Height

Single Gallery Rail

Back Bracket Height 135mm
Space Requirement 160mm



Size	Load Capacity
350mm	30kg
400mm	30kg
450mm	30kg/65kg
500mm	30kg/65kg
550mm	30kg/65kg
650mm	65kg

C Height

Single Gallery Rail

Back Bracket Height 167mm
Space Requirement 196mm



Size	Load Capacity
350mm	30kg
400mm	30kg
450mm	30kg/65kg
500mm	30kg/65kg
550mm	30kg/65kg
650mm	65kg

D Height

Single Gallery Rail

Back Bracket Height 199mm
Space Requirement 228mm



Size	Load Capacity
400mm	30kg
450mm	30kg
500mm	30kg/65kg
550mm	30kg/65kg
650mm	65kg

C Height

Box Side

Back Bracket Height 167mm
Space Requirement 196mm



Size	Load Capacity
450mm	30kg/65kg
500mm	30kg/65kg
550mm	30kg/65kg
650mm	65kg

D Height

Box Side

Back Bracket Height 199mm
Space Requirement 228mm



Size	Load Capacity
450mm	65kg
500mm	65kg
550mm	65kg
650mm	65kg

Antaro Drawer Inner System



M Height Inner Drawer

Back Bracket Height
84mm
Space Requirement
136.5mm

Size	Load Capacity
270mm	30kg
350mm	30kg
400mm	30kg
450mm	30kg/65kg
500mm	30kg/65kg
550mm	30kg/65kg
650mm	65kg



C Height Inner Drawer
Single Gallery Rail
Back Bracket Height
167mm
Space Requirement
196mm

Size	Load Capacity
350mm	30kg
400mm	30kg
450mm	30kg/65kg
500mm	30kg/65kg
550mm	30kg/65kg
650mm	65kg



C Height Inner Drawer
Box Side
Back Bracket Height
167mm
Space Requirement
196mm

Size	Load Capacity
450mm	30kg/65kg
500mm	30kg/65kg
550mm	30kg/65kg
650mm	65kg



D Height Inner Drawer
Single Gallery Rail
Back Bracket Height
199mm
Space Requirement
228mm

Size	Load Capacity
400mm	30kg
450mm	30kg/65kg
500mm	30kg/65kg
550mm	30kg/65kg
650mm	65kg



D Height Inner Drawer
Box Side
Back Bracket Height
199mm
Space Requirement
228mm

Size	Load Capacity
450mm	30kg/65kg
500mm	30kg/65kg
550mm	30kg/65kg
650mm	65kg

SIMLEAD

Wood Drawer System

with Push-Open, Silent Soft-Closing

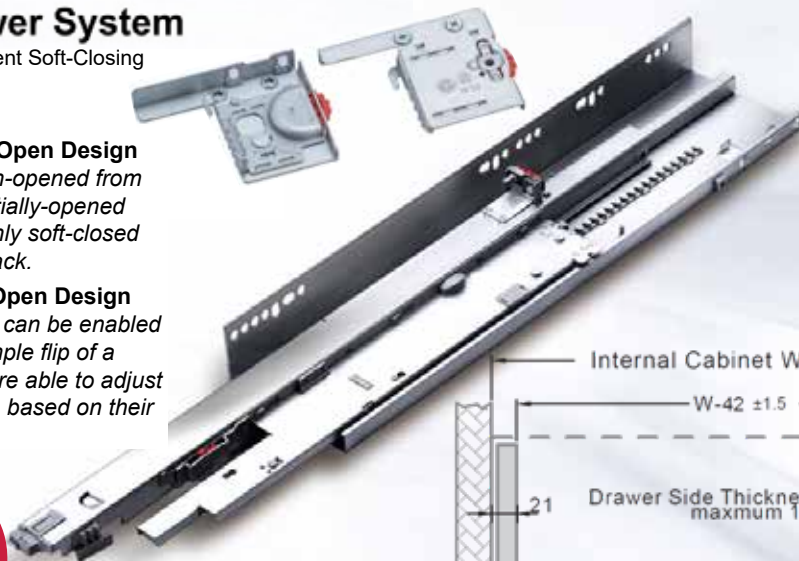
Innovations:

Ever-Active Push-Open Design

Drawer can be push-opened from a closed or any partially-opened position and smoothly soft-closed without bouncing back.

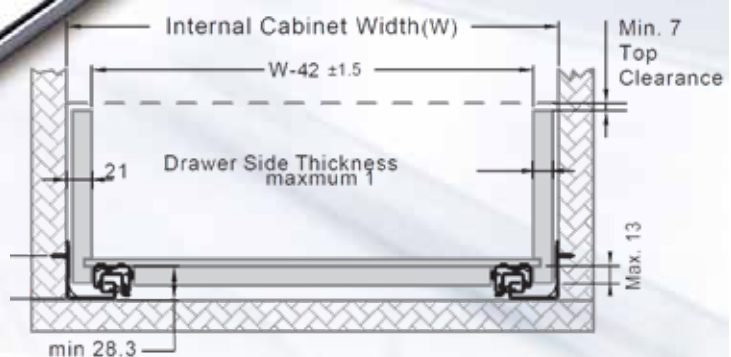
Switchable Push-Open Design

Push-open function can be enabled or disabled by a simple flip of a switch. Designers are able to adjust the product function based on their needs.



Push Open + Soft Closing

for Wood Drawer



Load Capacity: 40/ 60kg

Colour: Zinc

Item No.	Size	Carton Qty (Set)
SC-99-300-40KG	300	2
SC-99-350-40KG	350	2
SC-99-400-40KG	400	2
SC-99-450-40KG	450	2
SC-99-500-40KG	500	2
SC-99-550-60KG	550	2
SC-99-600-60KG	600	2



- Load Capacity Up to 40kg & 60kg
- 8-Way Adjustments for Perfect Alignments
- New Soft-Close Design for Improved Performance

User-Friendly Mechanical Design, Smoother and more Durable.

The ever-active push-open design and switchable push-open design provide additional convenience. Gentle push-open ejection and soft stopping when comes into contact with an object during opening movement. Synchronization of roller carriage not only renders silent soft-closing actions but also increases the product lifespan and stability.

Sign Up to check prices & order online

www.eurofit.com.au

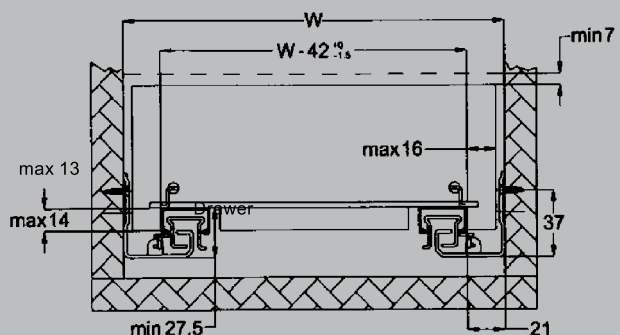
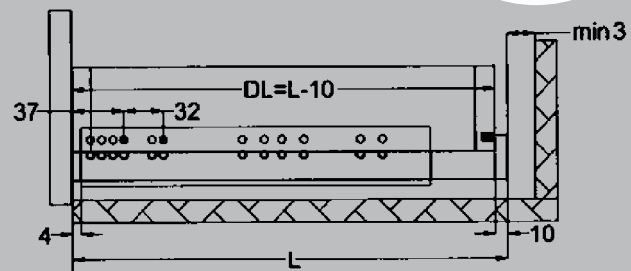
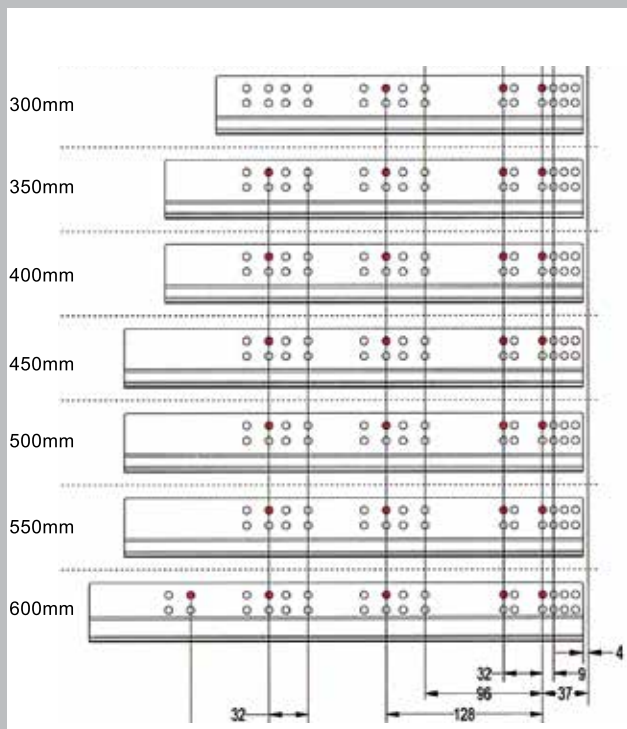
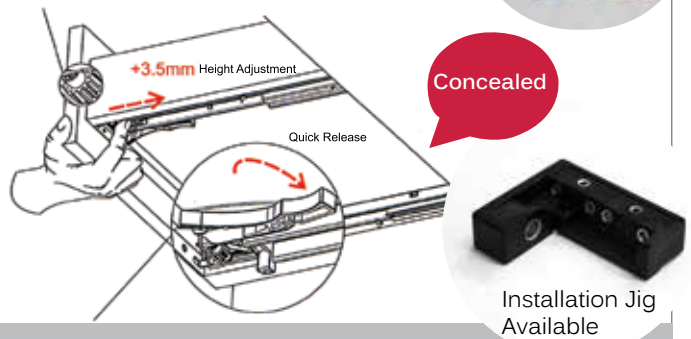
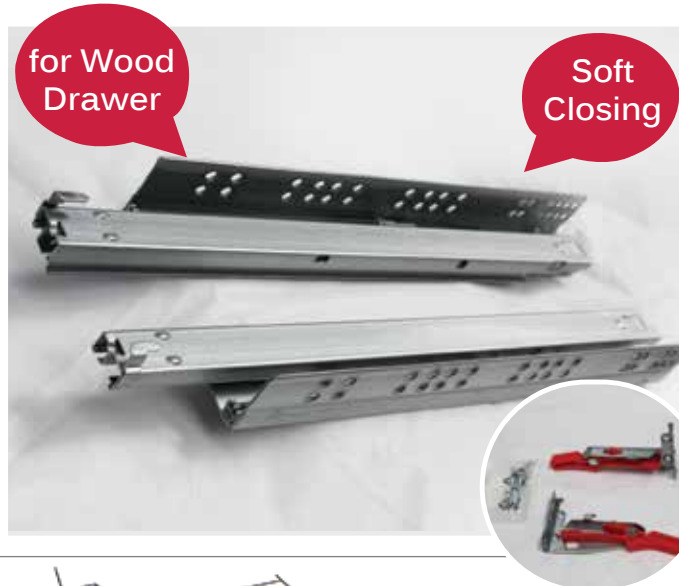
King Slide®

Soft Closing Concealed Full Extension Slides

Load Capacity: 34kg

Colour: Zinc

Item No.	Size	Carton Qty (set)
SC-05-300	300	6
SC-05-350	350	6
SC-05-400	400	6
SC-05-450	450	6
SC-05-500	500	6
SC-05-550	550	6
SC-05-600	600	6



Sign Up to check prices & order online

www.eurofit.com.au

Soft Closing Concealed Full Extension Slides (Synchronised)

for Wood Drawer

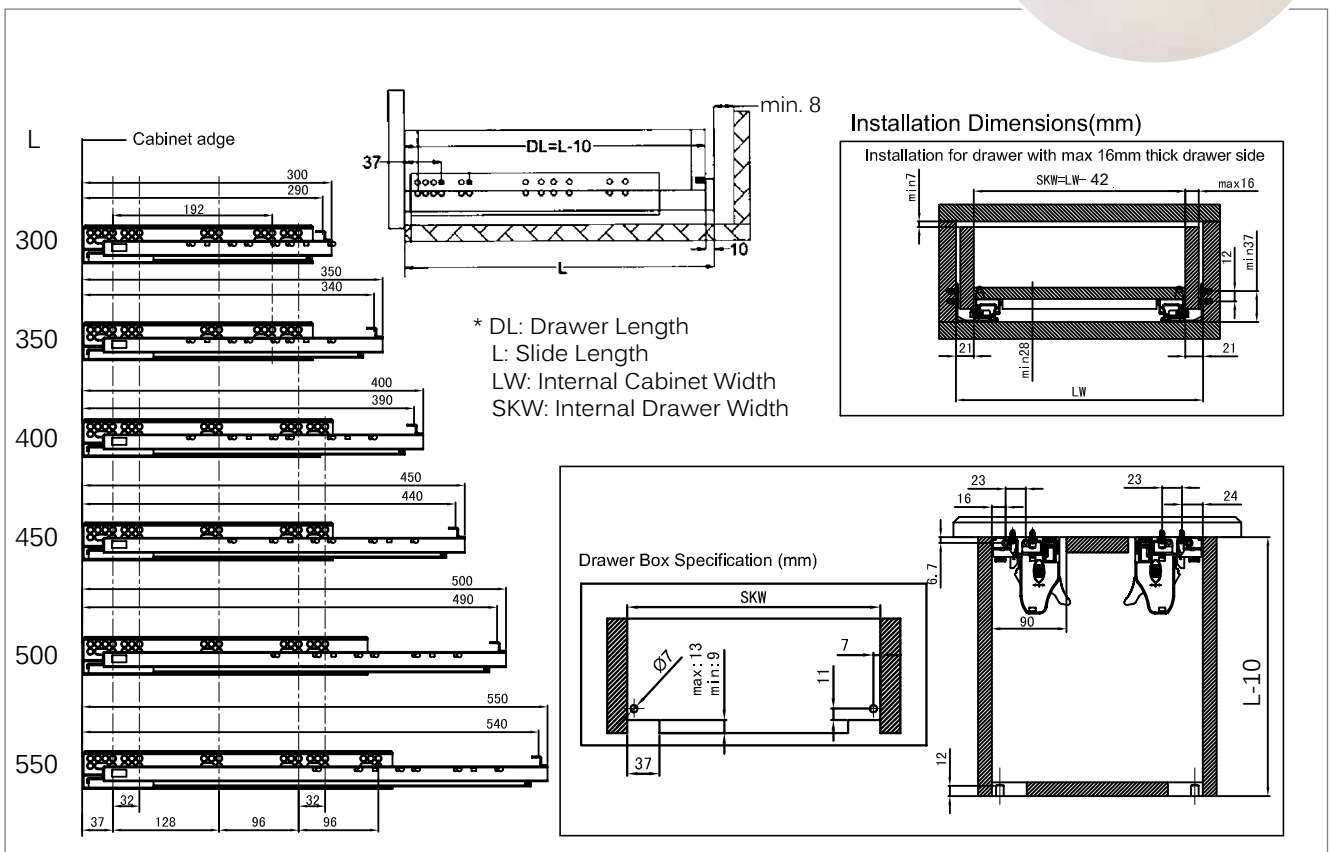
Soft Closing

Load Capacity: 34kg Colour: Zinc

Item No.	Size	Carton Qty (Set)
SC-07-300	300	10
SC-07-350	350	10
SC-07-400	400	10
SC-07-450	450	10
SC-07-500	500	10
SC-07-550	550	10



3 Ways Adjustment



Hettich Quadro V6 for wood with Silent System



Material: Galvanised Steel Load Capacity: 25kg/ 30kg

* Set Includes Front Connectors (Left & Right)

Item No.	Length	Load Capacity	Carton Qty
Hetti-QV6-300	300	25kg	10
Hetti-QV6-350	350	25kg	10
Hetti-QV6-400	400	30kg	10
Hetti-QV6-450	450	30kg	10
Hetti-QV6-500	500	30kg	10
Hetti-QV6-550	550	30kg	10
Hetti-QV6-9144830.01	Front Connector, Left		
Hetti-QV6-9144841.01	Front Connector, Right		

Quadro V6 for Wood with Push Open - Special Order

3 Drawer Systems

Blum Tandem For Wood

Size	Load Capacity
350mm	30kg
400mm	30kg
450mm	30/50kg
500mm	30/50kg
550mm	30/50kg
600mm	50kg

Tip-On Tandem For Wood (Push Open) - Special Order

- Replace Standard Runners With Tip-On for Tandem For Wood
- Tip-On Sync Set (Cabinet Width ≥ 550mm)
- Maximum Cabinet Width: 1080mm

Sign Up to check prices & order online

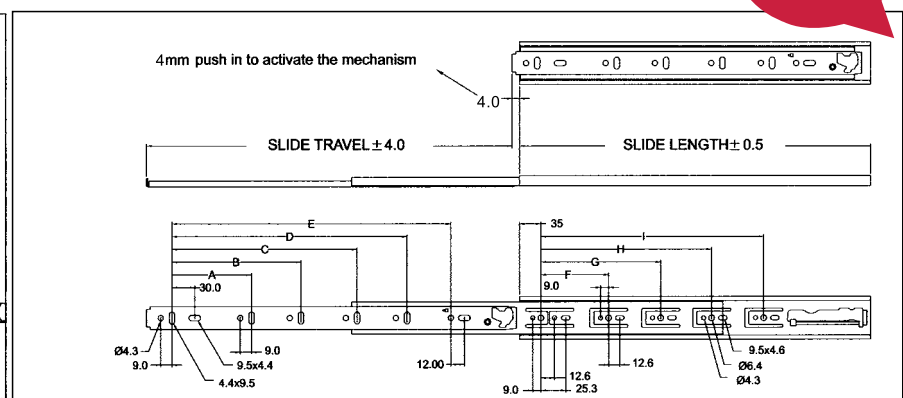
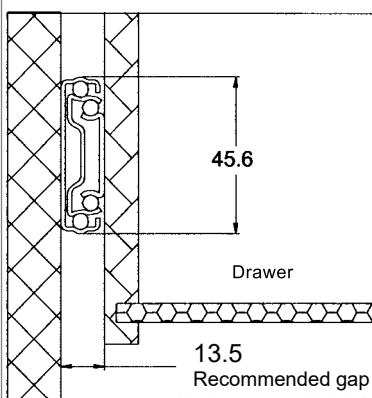
Push Open Ball Bearing Full Extension Slides

*Projection Up To 300mm



Load Capacity: 45kg Colour: Zinc

Item No.	Size	Carton Qty (Set)
RB-02-250	250	15
RB-02-300	300	15
RB-02-350	350	15
RB-02-400	400	15
RB-02-450	450	15
RB-02-500	500	15
RB-02-550	550	10
RB-02-600	600	10



Size	Slide Travel	A	B	C	D	E	F	G	H	I
300	300	128	-	-	-	211	-	-	-	128
350	350	128	-	-	-	261	128	-	-	192
400	400	128	-	-	-	311	128	-	-	224
450	450	128	320	-	-	361	128	-	-	288
500	500	128	224	320	-	411	128	224	-	320
550	550	128	224	416	-	461	128	224	-	384
600	600	128	224	416	-	511	128	224	352	448

Sign Up to check prices & order online

www.eurofit.com.au

Soft Closing Ball Bearing Full Extension Slides (Side Mounted)

Load Capacity: 40kg Colour: Zinc

Item No.	Size	Carton Qty (set)
SC-06-300	300	15
SC-06-350	350	15
SC-06-400	400	15
SC-06-450	450	15
SC-06-500	500	15
SC-06-550	550	10
SC-06-600	600	10



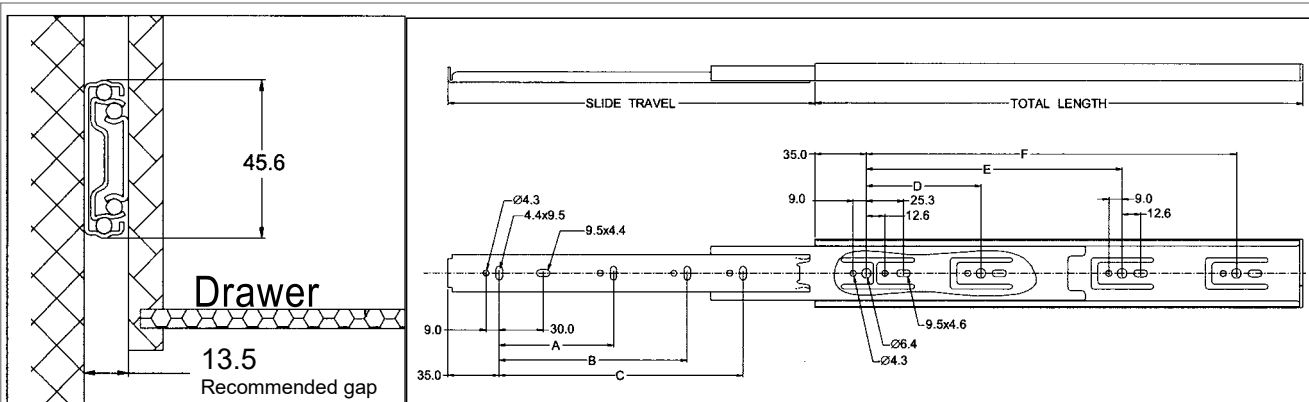
Soft Closing



Engaging Solutions



Lighter Retention



Size	Slide travel	A	B	C	D	E	F
300	285	96	-	-	96	-	-
350	345	128	224	-	128	-	-
400	400	128	256	-	128	192	-
450	450	128	320	-	128	256	-
500	500	128	224	352	128	256	-
550	550	128	256	384	128	224	320
600	600	128	288	416	128	224	352

Soft Closing Ball Bearing Full Extension Slides (Bottom Fixed)

Soft Closing

Load Capacity: 40kg

Colour: Zinc

Item No.	Size	Carton Qty (Set)
SC-06B-350	350	15
SC-06B-400	400	15
SC-06B-450	450	15
SC-06B-500	500	15
SC-06B-550	550	10
SC-06B-600	600	10



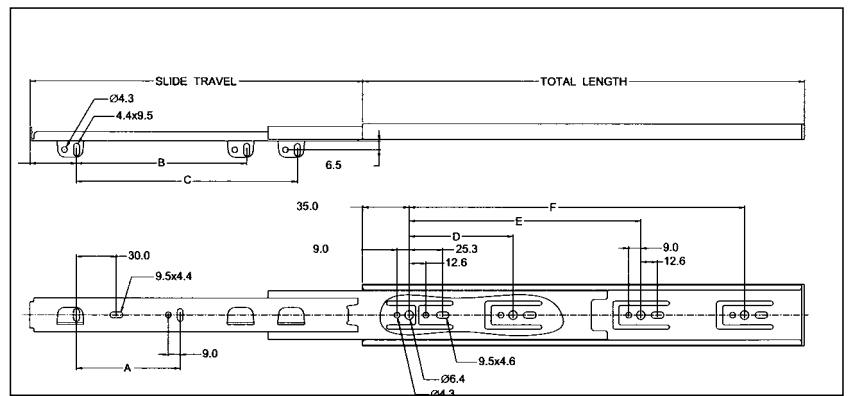
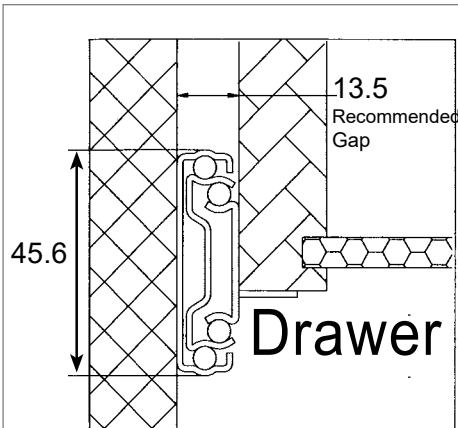
Bottom Fixed



Engaging Solutions



Lighter Retention



Size	Slide travel	A	B	C	D	E	F
350	345	-	128	288	128	-	-
400	400	-	128	256	128	192	-
450	450	-	128	320	128	256	-
500	500	128	224	352	128	256	-
550	550	128	256	384	128	224	320
600	600	128	288	416	128	224	384

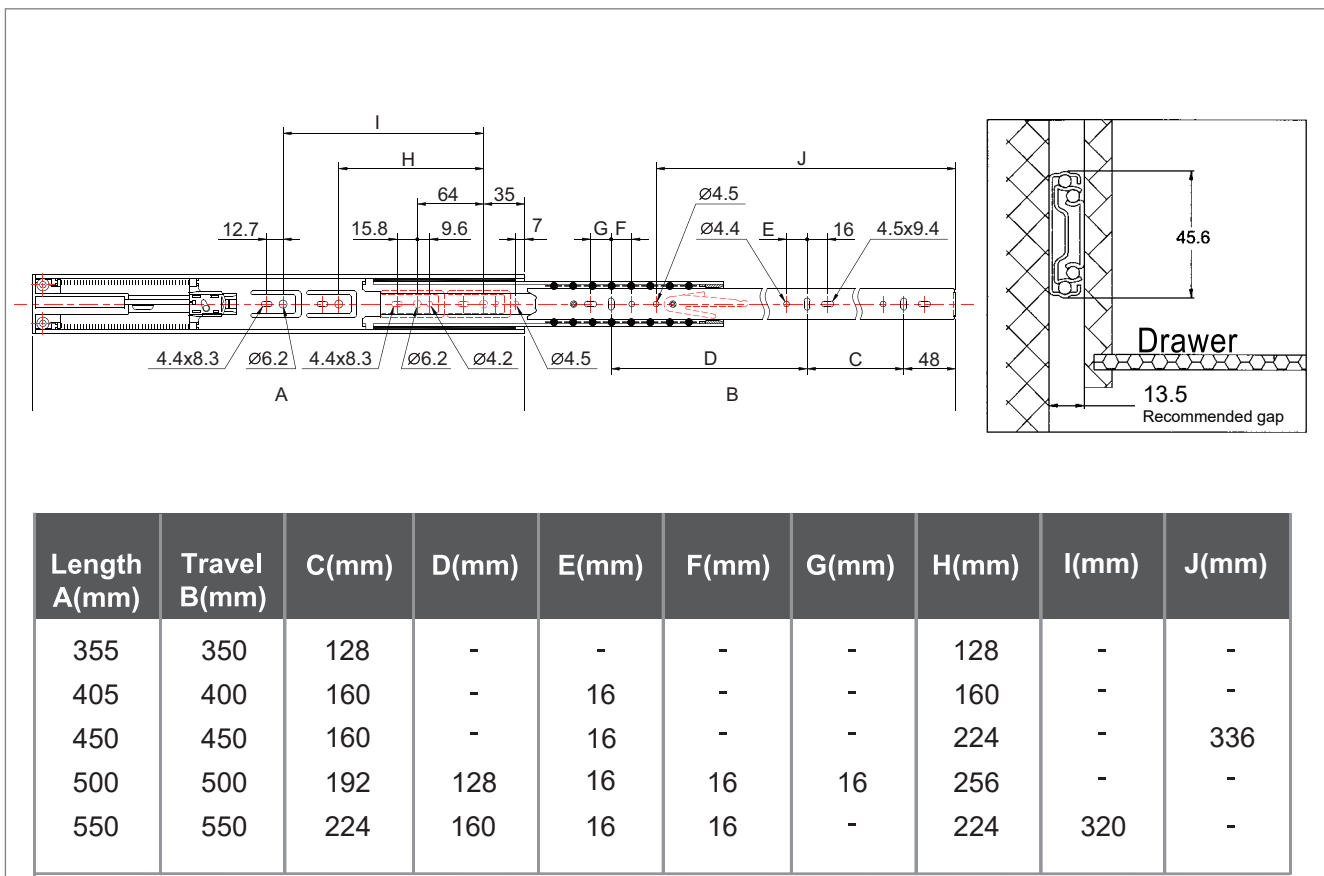
Sign Up to check prices & order online

Soft Closing Ball Bearing Full Extension Slides (Side Mounted)

Load Capacity: 35kg

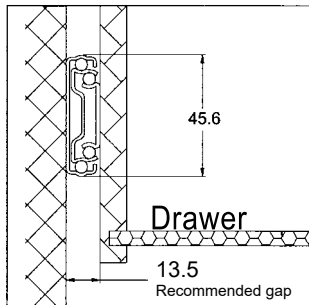
Colour: Zinc

Item No.	Size	Carton Qty (Set)
RB-SC-300	300	15
RB-SC-350	350	15
RB-SC-400	400	15
RB-SC-450	450	15
RB-SC-500	500	15
RB-SC-550	550	10



Sign Up to check prices & order online

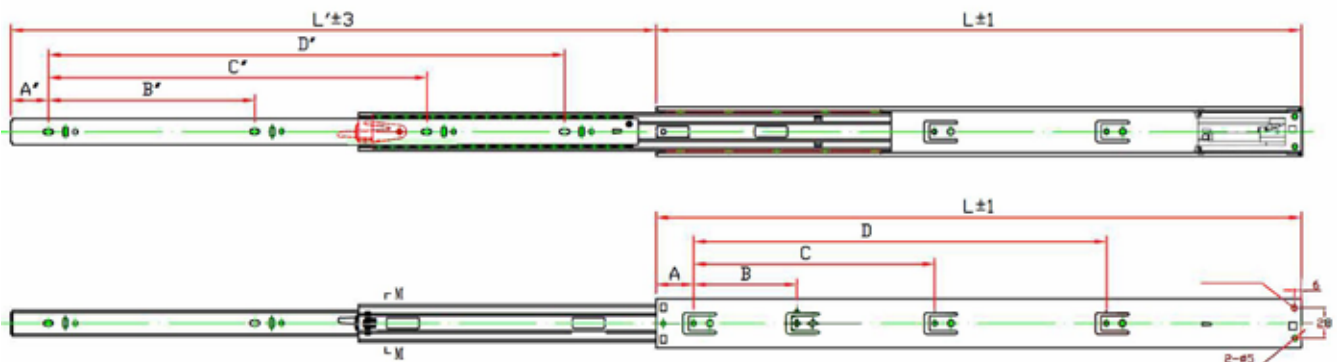
Project Type Soft Closing Ball Bearing Full Extension Slides (Side Mounted)



Load Capacity: 35kg

Colour: Zinc

Item No.	Size	Carton Qty (Set)
RB-04-300SC	300	15
RB-04-350SC	350	15
RB-04-400SC	400	15
RB-04-450SC	450	15
RB-04-500SC	500	15
RB-04-550SC	550	15
RB-04-600SC	600	15



Length	A(mm)	B(mm)	C(mm)	D(mm)	A' (mm)	B' (mm)	C' (mm)	D' (mm)
300	35	96	-	-	35	96	212	-
350	35	128	-	-	35	128	224	-
400	35	64	192	-	35	128	288	-
450	35	64	224	-	35	128	320	-
500	35	96	256	-	35	160	352	-
550	35	96	256	352	35	96	224	416
600	35	96	256	384	35	96	256	480

Sign Up to check prices & order online

Hettich Soft Closing Ball Bearing Slides



Material: Steel Load Capacity: 35kg

Item No.	Length	Crt Qty
Hetti-KASC-9114271	300	10
Hetti-KASC-9114273	350	10
Hetti-KASC-9114274	400	10
Hetti-KASC-9114275	450	10
Hetti-KASC-9114276	500	10
Hetti-KASC-9114277	550	10
Hetti-KASC-9114278	600	10
Hetti-KASC-9114279	650	10

Heavy Duty Ball Bearing Full Extension Slides

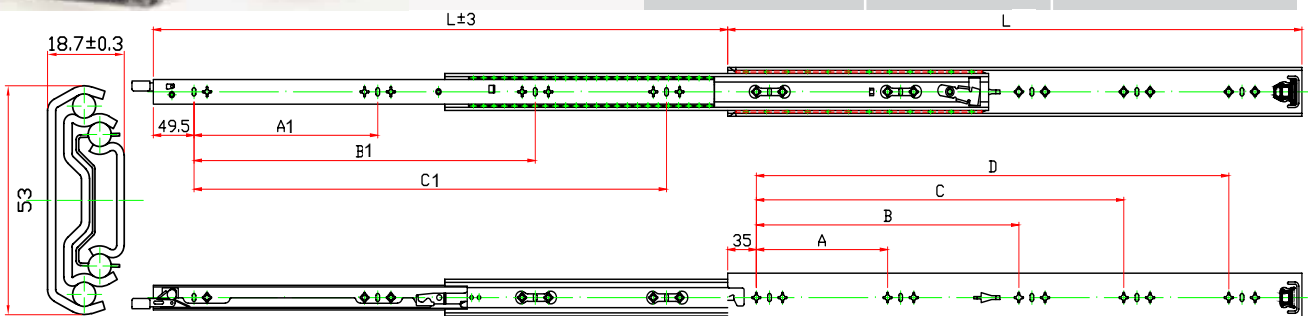


Load Capacity: 100kg Colour: Zinc



Item No.	Size	Carton Qty (set)
RB-05-500	500	10
RB-05-550	550	6
RB-05-600	600	6
RB-05-700	700	6
RB-05-800	800	4
RB-05-900	900	4
RB-05-1000	1000	4

3 Drawer Systems



Length	A(mm)	B(mm)	C(mm)	D(mm)	A1(mm)	B1(mm)	C1(mm)
500	64	224	384	-	160	384	-
550	64	256	416	-	160	416	-
600	64	256	416	480	192	480	-
700	64	192	320	480	224	416	576
800	64	192	384	544	224	480	672
900	64	192	448	608	224	512	768
1000	64	192	480	672	224	640	884

Sign Up to check prices & order online

Standard Ball Bearing Full Extension Slides (Side Mounted)





Load Capacity: 45kg Colour: Zinc

Item No.	Size	Carton Qty (set)
RB-01-200	200	15
RB-01-250	250	15
RB-01-300	300	15
RB-01-350	350	15
RB-01-400	400	15
RB-01-450	450	15
RB-01-500	500	15
RB-01-550	550	10
RB-01-600	600	10
RB-01-700	700	10
RB-01-800	800	6

3 Drawer Systems

Standard Ball Bearing Full Extension Slides (Bottom Fixed)






Load Capacity: 45kg Colour: Zinc

Item No.	Size	Carton Qty (set)
RB-01B-400	400	10
RB-01B-450	450	10
RB-01B-500	500	10

Bottom
Fixed

Vero
Drawer System

Standard Slides

Load Capacity: 25kg Colour: White



Item No.	Size	Carton Qty(set)
RA-01-250	250	24
RA-01-300	300	24
RA-01-350	350	24
RA-01-400	400	24
RA-01-450	450	24
RA-01-500	500	24
RA-01-550	550	24
RA-01-600	600	24

MultiTech Drawer Systems & Accessories

Load Capacity: 25kg Colour: White Material: Steel

Hettich



86mm Height

Item No.	Height	Width
Hetti-Mtech-9127881	86	400
Hetti-Mtech-9127883	86	450
Hetti-Mtech-9127885	86	500
Hetti-Mtech-54998	Front Connector (Per Piece)	



118mm Height

Item No.	Height	Width
Hetti-Mtech-9127895	118	400
Hetti-Mtech-9127897	118	450
Hetti-Mtech-9127899	118	500
Hetti-Mtech-54998	Front Connector (Per Piece)	



150mm Height

Item No.	Height	Width
Hetti-Mtech-9127909	150	400
Hetti-Mtech-9127911	150	450
Hetti-Mtech-9127913	150	500
Hetti-Mtech-54998	Front Connector (Per Piece)	



214mm Height

Item No.	Height	Width
Hetti-Mtech-9127919	214	400
Hetti-Mtech-9127921	214	450
Hetti-Mtech-9127923	118	500
Hetti-Mtech-54998	Front Connector (Per Piece)	

3 Drawer Systems

Sign Up to check prices & order online

File Frame Set

Material: Steel Zinc

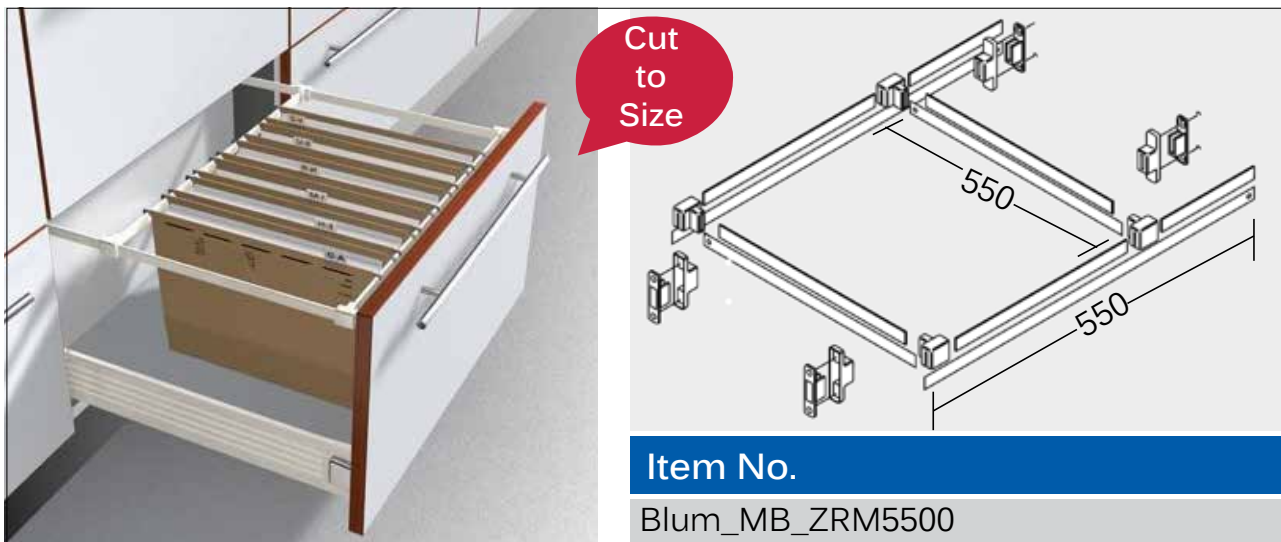


Drawer Systems

3

Blum File Frame Set Cut to size

Material: Steel with Nylon Cover Colour: Cream



Sign Up to check prices & order online

www.eurofit.com.au