

Fasteners

Screws & Accessories

Chipboard Screws.....	10-1
Particle Board Screws.....	10-2
Cap Fit Screws.....	10-3
Euro Screws.....	10-4
Pan Head Screws.....	10-4
Raised Head Screws.....	10-4
Handle Screws.....	10-4
Drills Bits.....	10-5
Wall Plugs.....	10-5
Countersinks.....	10-6
Screw Driver Bits.....	10-6



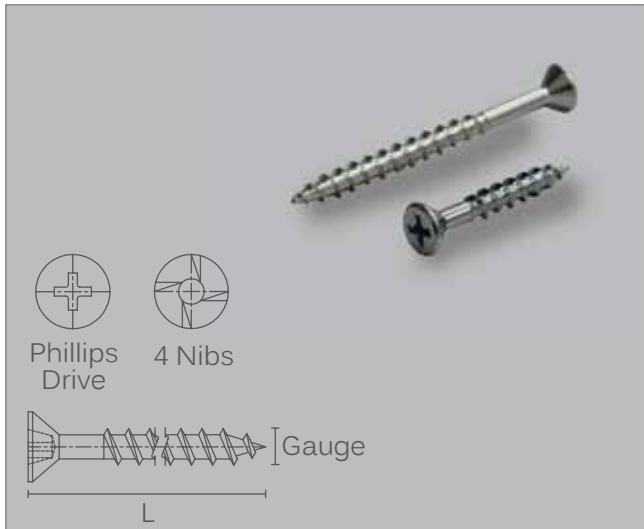
Brads, Staples & Accessories

Brads & Staples - SPOTNAILS.....	10-7
Brads & Staples - AIRCO.....	10-8
Bradders & Staplers.....	10-9



Countersunk Screws

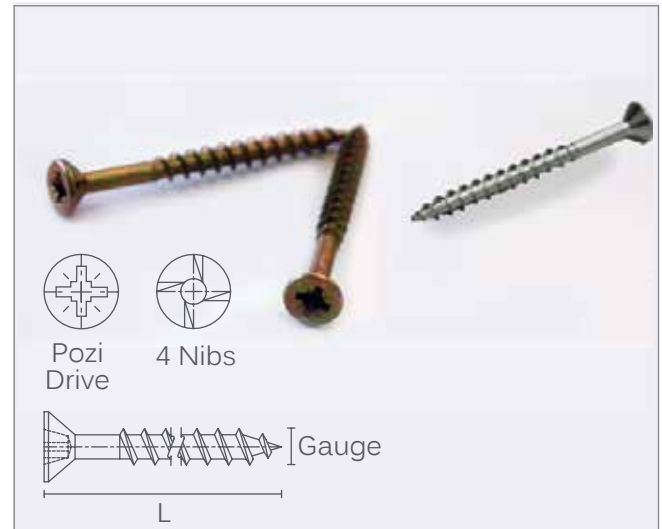
Chipboard Screws, Flat Head Phillips Drive



Item No.	L (mm)	Gauge	Carton Qty
Chip-20	20	8g	1K/Box, 8K/Ctn
Chip-25	25	8g	1K/Box, 8K/Ctn
Chip-28	28	8g	1K/Box, 8K/Ctn
Chip-30	30	8g	1K/Box, 8K/Ctn
Chip-32	32	8g	1K/Box, 5K/Ctn
Chip-35	35	8g	1K/Box, 5K/Ctn
Chip-38	38	8g	1K/Box, 4K/Ctn
Chip-40	40	8g	1K/Box, 4K/Ctn
Chip-45	45	8g	1K/Box, 4K/Ctn
Chip-50	50	8g	1K/Box, 4K/Ctn
Chip-57	57	8g	1K/Box, 4K/Ctn
Chip-65	65	8g	1K/Box
Chip-65-10G	65	10g	1K/Box
Chip-75	75	10g	1K/Box
Chip-100	100	10g	1K/Box

- Finish: Zinc Plated
- Use Phillips Bit #2
- Coarse Thread
- Head Type: Countersunk Self Embedding With Nibs
- Please Refer To Page 14-1 For Self-Adhesive Screw Cover Caps

Chipboard Screws ,Flat Head Pozi Drive



Item No.	L (mm)	Gauge	Carton Qty
Pozi Chip-25	25	8g	1K/Box, 8K/Ctn
Pozi Chip-28	28	8g	1K/Box, 8K/Ctn
Pozi Chip-30-Yellow	30	8g	1K/Box, 8K/Ctn
Pozi Chip-32-Yellow	32	8g	1K/Box, 5K/Ctn
Pozi Chip-35	35	8g	1K/Box, 5K/Ctn
Pozi Chip-38	38	8g	1K/Box, 4K/Ctn
Pozi Chip-40	40	8g	1K/Box, 4K/Ctn
Pozi Chip-45	45	8g	1K/Box, 4K/Ctn
Pozi Chip-50	50	8g	1K/Box, 4K/Ctn
Pozi Chip-57	57	8g	1K/Box, 4K/Ctn
Pozi Chip-65	65	8g	1K/Box
Pozi Chip-65-10G	65	10g	1K/Box
Pozi Chip-75	75	10g	1K/Box

- Finish: Zinc Yellow / Zinc Plated
- Use Pozi Driver Bit #2
- Coarse Thread
- Head Type: Countersunk Self Embedding With Nibs
- Please Refer To Page 14-1 For Self-Adhesive Screw Cover Caps

Particle Board Screws (Full Threaded) Flat Head, **Phillips Drive**

Particle Board Screws (Full Threaded) Flat Head, **Pozi Drive**



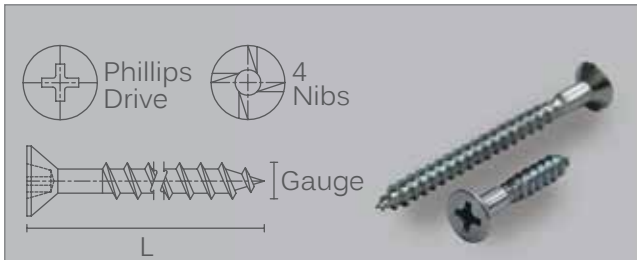
Item No.	L	Gauge	Feature	Carton Qty
Par-4058	16mm	4g	No Nib	1K/Box
Par-6016	16mm	6g	No Nib	18K/Ctn
Par-6016-Black	16mm	6g	No Nib	18K/Ctn
Par-6019	19mm	6g	No Nib	12K/Ctn
Par-6038	38mm	6g	No Nib	8K/Ctn
Par-6050	50mm	6g	No Nib	4K/Ctn
Par-8016	16mm	8g	No Nib	16K/Ctn
Par-8019	19mm	8g	No Nib	12K/Ctn
Par-8028	28mm	8g	4 Nibs	8K/Ctn
Par-8032	32mm	8g	4 Nibs	5K/Ctn
Par-8038	38mm	8g	4 Nibs	4K/Ctn
Par-8045	45mm	8g	4 Nibs	4K/Ctn
Par-8050	50mm	8g	4 Nibs	4K/Ctn

- Zinc Plated
- Fine Thread
- Use Phillips Bit #1 (For 4058), Piano Hinge Screws
- Use Phillips Bit #2 (For 6058-8034)
- Head Type: Countersunk Self Embedding With Nibs
- Please Refer To Page 14-1 For Self-Adhesive Screw Cover Caps

Item No.	L	Gauge	Feature	Carton Qty
Pozi Par-6016-Zinc	16mm	6g	No Nib	18K/Ctn
Pozi Par-6016-Yellow	16mm	6g	No Nib	18K/Ctn
Pozi Par-6038	38mm	6g	No Nib	8K/Ctn
Pozi Par-8016-Zinc	16mm	8g	No Nib	16K/Ctn
Pozi Par-8016-Yellow	16mm	8g	No Nib	16K/Ctn
Pozi Par-8019	19mm	8g	No Nib	12K/Ctn
Pozi Par-8028	28mm	8g	4 Nibs	8K/Ctn
Pozi Par-8032	32mm	8g	4 Nibs	5K/Ctn
Pozi Par-8038	38mm	8g	4 Nibs	4K/Ctn
Pozi Par-8045	45mm	8g	4 Nibs	4K/Ctn
Pozi Par-8050	50mm	8g	4 Nibs	4K/Ctn

- Zinc Plated
- Fine Thread
- Use Pozi Driver Bit #2
- Head Type: Countersunk Self Embedding With Nibs
- Please Refer To Page 14-1 For Self-Adhesive Screw Cover Caps

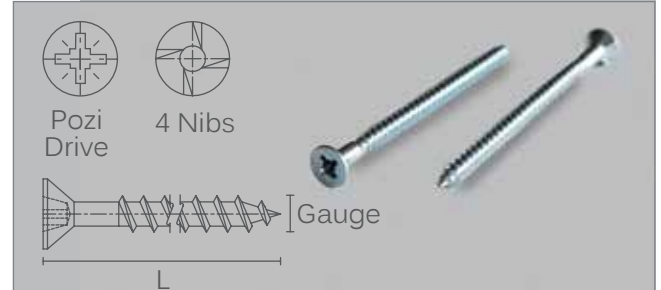
Countersunk Screws Cap Fit, Flat Head Phillips Drive



Item No.	L (mm)	Gauge	Carton Qty
Super-28	28	4.5mm	1K/Box, 5K/Ctn
Super-30	30	4.5mm	1K/Box, 5K/Ctn
Super-35	35	4.5mm	1K/Box, 5K/Ctn
Super-40	40	4.5mm	1K/Box, 4K/Ctn
Super-50	50	4.5mm	1K/Box, 4K/Ctn
Super-60	60	4.5mm	1K/Box
Super-70	70	4.5mm	1K/Box
Super-75	75	4.5mm	1K/Box

- Zinc Plated
- Use Phillips Bit #2
- Head Type: Countersunk Self Embedding With Nibs
- Please Refer To Page 14-2 For Stem Caps

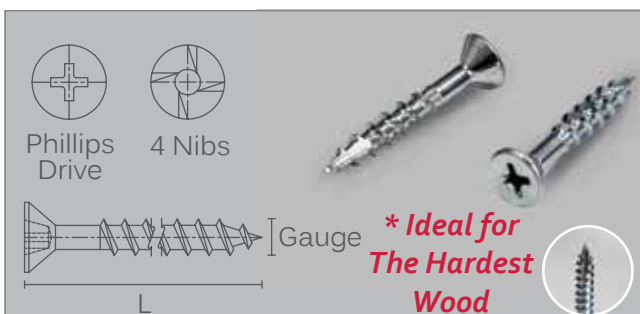
Cap Fit, Flat Head Pozi Drive



Item No.	L (mm)	Gauge	Carton Qty
Pozi Super-28	28	4.5mm	1K/Box, 5K/Ctn
Pozi Super-30	30	4.5mm	1K/Box, 5K/Ctn
Pozi Super-40	40	4.5mm	1K/Box, 4K/Ctn
Pozi Super-50	50	4.5mm	1K/Box, 4K/Ctn
Pozi Super-60	60	4.5mm	1K/Box
Pozi Super-70	70	4.5mm	1K/Box
Pozi Super-75	75	4.5mm	1K/Box

- Zinc Yellow / Zinc Plated
- Use Pozi Driver Bit #2
- Head Type: Countersunk Self Embedding With Nibs
- Please Refer To Page 14-2 For Stem Caps

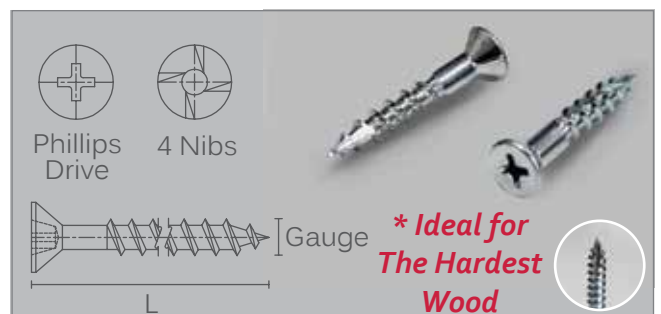
Chipboard Screw, Flat Head, Type 17, Phillips Drive



Item No.	L	Gauge	Carton Qty
Chip-28-Type 17	28	8g (4.2mm)	1K/Box, 8K/Ctn
Chip-50-Type 17	50	8g (4.2mm)	1K/Box, 4K/Ctn

- Zinc Plated
- Use Phillips Bit #2
- Drilling Pint Type 17
- Head Type: Countersunk Self Embedding With Nibs
- Coarse Thread
- Refer To Page 14-1 For Screw Cover Caps

Cap Fit, Flat Head Type 17, Pozi Drive



Item No.	L	Gauge	Carton Qty
Super-28-Type 17	28	4.5mm	1K/Box, 8K/Ctn
Super-50-Type 17	50	4.5mm	1K/Box, 4K/Ctn

- Zinc Plated
- Use Pozi Bit #2
- Drilling Pint Type 17
- Head Type: Countersunk Self Embedding With Nibs
- Coarse Thread
- Please Refer To Page 14-2 For Stem Caps

PAN Head Screws, Phillips/ Pozi Drive

Item No.	L	Gauge	Carton Qty
PAN-8016	16mm	8g	12K/Ctn
Pozi PAN-8016-Yellow	16mm	8g	12K/Ctn

- PAN-8058: Zinc Plated Finish
- Pozi PAN-8058: Zinc Yellow Finish
- Use Phillips / Pozi Bits #2

Raised Head Screws, Phillips Drive

Item No.	L	Gauge	Carton Qty
Raised Head	16mm, 5/8"	3.8mm	1K/Box, 16K/Ctn

- Nickel Plated Finish
- Use Phillips #2
- Ideal For Hinges

Countersunk Screws Euro Screws, Flat Head Pozi Drive

Item No.	L (mm)	Gauge	Carton Qty
Euro-10	10	6.3mm	1K/Box, 12K/Ctn
Euro-13	13	6.3mm	1K/Box, 10K/Ctn

- Nickel Plated Finish
- Use Pozi Bits #2
- Blunt / Flat Tip
- Course Thread
- For CNC Pre-drilled Holes

Handle Screws (M4) Phillips Drive

Item No.	L (mm)	Gauge	Carton Qty
Matrix-16	16	4.5mm	1K/Box
Matrix-20	20	4.5mm	1K/Box
Matrix-22	22	4.5mm	1K/Box
Matrix-25	25	4.5mm	1K/Box
Matrix-35	35	4.5mm	1K/Box
Matrix-38	38	4.5mm	1K/Box
Matrix-40	40	4.5mm	1K/Box
Matrix-45	45	4.5mm	1K/Box
Matrix-45-Snapoff	45	4.5mm	1K/Box

- Zinc Plated Finish
- Use Phillips #2
- Fine Thread

P&N HSS Quick Release Drill Bits



Item No.	Description
QR-SDB-Ø3	Ø: 3mm
QR-SDB-Ø5	Ø: 5mm

- Drilling Metal, Timber & Plastic
- Hex Shank Suits Quick Change Adaptors • 1/4" Hex Shank

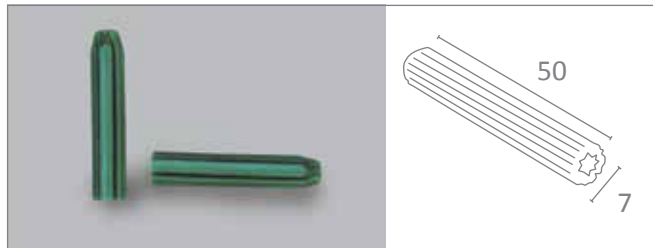
Evacut HSS Jobber Twist Drill Bits



Item No.	Size	Description
SDB-Ø3	Ø: 3mm	10 pcs/ Pack
SDB-Ø4	Ø: 4mm	10 pcs/ Pack
SDB-Ø5	Ø: 5mm	10 pcs/ Pack
SDB-Ø10	Ø: 10mm	1 Piece/ Pack

- For Drilling Metal, Wood, Plastic.
- 118° Standard Point, Common Point For General Purpose Applications


Plastic Wall Plugs



Item No.	Size	Carton Qty
WP-01	Ø7 x 50mm	500
WP-02	Ø7 x 50mm	100

- Material: PVC
- Screw Gauge: #10~#12mm (Not Included)

Evacut TCT Masonry Drill Bits



Item No.	Description
SDB-SFØ5.5	Ø5.5 x 85mm (For Red Plug)
SDB-SFØ6.5	Ø6.5 x 100mm (For Green Plug)

- TCT Point / Brazed Tip / Double Spiral Flute / Parallel Shank For Rotary Hammer & Percussion Drilling
- Use In Natural & Artificial Stone, Masonry, Brickwork & Concrete

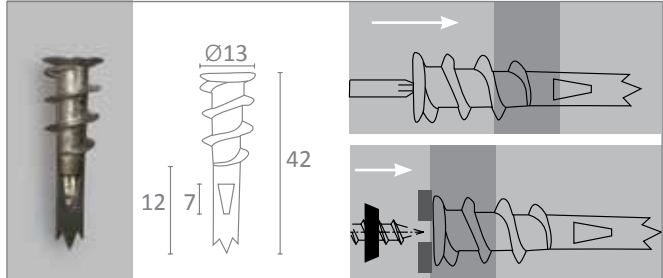
Continuous Plastic Spaghetti



Item No.	Description
WP-04(5M)	Ø5.5mm x Length: 5M

- Use In Concrete, Solid Brick, Solid Block & Stone
- Cut To Suit The Length
- Screw Gauge: #6mm (Not Included)

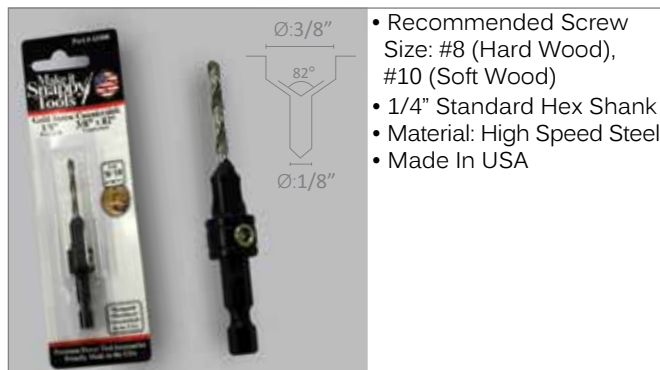
Self Drilling Speedy Metal Wallmates



Item No.	Length	Carton Qty
WP-03	42mm	100

- Material: Zinc Alloy
- Use With #8 to #10 Gauge Screws
- For Plasterboard Cavity Wall Drive Fixing (Internal Use)
- Plaster Board Thickness: 10mm
- Weight Capacity: 10kg
- No Need to Pre-drill A Hole

Snappy 1/8' Countersink



- Recommended Screw Size: #8 (Hard Wood), #10 (Soft Wood)
- 1/4" Standard Hex Shank
- Material: High Speed Steel
- Made In USA

Item No.	Description
Countersink 1/8"	Counter-bore Size: 3/8" x 82°

Snappy TCT 1/8' Countersink



- Recommended Screw Size: #8 (Hard Wood), #10 (Soft Wood)
- Perfect For Laminate Counter-tops, Melamine, Exotic Hardwood And Other Tough Materials.
- 1/4" Standard Hex Shank
- Material: TCT (Tungsten Carbide Tipped)
- Made In USA

Item No.	Description
TCT Countersink 1/8"	Counter-bore Size: 3/8" x 82°

Snappy 7/64" Self-Centering Drill Guide



- 1/4" Hex Standard Bit Shank, Fits All Power Quick Change Chucks
- For Accurately Drill Pilot Holes In Hinges, Handles, Slides...
- Includes HSS Drill Bit
- For #6 To #8 Screws
- Made In USA

Item No.	Description
Self Centre Drill Guide	Ø:7/64"

Snappy 1/8" Drill Adaptor



- Convert Standard Drill Bits To 1/4" Hex Power Bits
- 1/4" Hex Standard Bit Shank, Fits All Power Quick Change Chucks
- Standard Hex Shank Fits Impact Drivers
- Supplied Without Drill Bits
- Made In USA

Item No.	Description
Drill Adaptor	Accepted Range Of Drills (Decimal Inch): .111" ~ .126"

Magnetic Bit Holder



Item No.	Length	Carton Qty
SDH-01	65mm	10
SDG-02	60mm	10

Head Screwdriver Bits

Magnetic Head Prevents Dropped Screws



Item No.	Description	Length
SDB-F25	Phillips Drive Insert Bit	25mm (1") 25
SDB-F50	Phillips Drive Power Bit	50mm (2") 25
SDB-P25	Pozi Drive Insert Bit	25mm (1") 25
SDB-P50	Pozi Drive Power Bit	50mm (2") 25



C Series Brads 16 Gauge



Item No.	L	Gauge	Carton Qty
Nail-SpotN-C19	19mm	16g	5K/Box, 30K/Ctn
Nail-SpotN-C25	25mm(1")	16g	5K/Box, 30K/Ctn
Nail-SpotN-C30	30mm(1 ³ / ₁₆ "	16g	5K/Box, 30K/Ctn
Nail-SpotN-C32	32mm(1 ¹ / ₄ "	16g	5K/Box, 30K/Ctn
Nail-SpotN-C38	38mm(1 ¹ / ₂ "	16g	5K/Box, 30K/Ctn
Nail-SpotN-C40	40mm(1 ⁹ / ₁₆ "	16g	5K/Box, 30K/Ctn
Nail-SpotN-C45	45mm(1 ³ / ₄ "	16g	5K/Box, 30K/Ctn
Nail-SpotN-C50	50mm(2")	16g	5K/Box, 20K/Ctn

- Galvanized Finish • Chisel Point • Straight Strip

C1 Series Brads 18 Gauge



Item No.	L	Gauge	Carton Qty
Nail-SpotN-F20	20mm(3/4")	18g	5K/Box, 100K/Ctn
Nail-SpotN-F25	25mm(1")	18g	5K/Box, 50K/Ctn
Nail-SpotN-F30	30mm(1 ³ / ₁₆ "	18g	5K/Box, 50K/Ctn
Nail-SpotN-F38	38mm(1 ¹ / ₂ "	18g	5K/Box, 50K/Ctn
Nail-SpotN-F40	40mm(1 ⁹ / ₁₆ "	18g	5K/Box, 50K/Ctn
Nail-SpotN-F45	45mm(1 ³ / ₄ "	18g	5K/Box, 50K/Ctn
Nail-SpotN-F50	50mm(2")	18g	5K/Box, 50K/Ctn

- Galvanized Finish • Chisel Point • Straight Strip

Staples 800 Series



Item No.	L	Crown	Carton Qty
Staple-SpotN-8006	6mm	12mm(1/2")	10K/Box, 180K/Ctn
Staple-SpotN-8008	8mm	12mm(1/2")	10K/Box, 180K/Ctn
Staple-SpotN-8010	10mm	12mm(1/2")	10K/Box, 180K/Ctn
Staple-SpotN-8012	12mm	12mm(1/2")	10K/Box, 180K/Ctn
Staple-SpotN-8014	14mm	12mm(1/2")	10K/Box, 180K/Ctn

- Galvanized Finish • Chisel Point • Fine Wire Staples
- Similar To BEA 80

Staples 900 Series 18 Gauge



Item No.	L	Crown	Carton Qty
Staple-SpotN-9025	25mm	6mm(1/4")	5K/Box, 50K/Ctn
Staple-SpotN-9032	32mm	6mm(1/4")	5K/Box, 50K/Ctn
Staple-SpotN-9038	38mm	6mm(1/4")	5K/Box, 50K/Ctn

- Galvanized Finish • Chisel Point • 18 Gauge
- Similar To Duo Fast 1800, Senco L, BEA 90

Angled DA Brads 15 Gauge

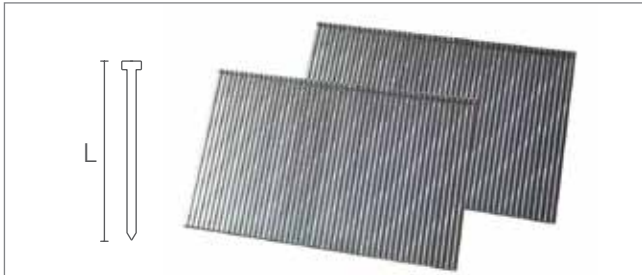


Item No.	L	Gauge	Carton Qty
Nail-SpotN-DA17	38mm(1 ¹ / ₂ "	15g	4K/Box, 12K/Ctn
Nail-SpotN-DA21	50mm(2")	15g	4K/Box, 12K/Ctn

- Bright Finish • Chisel Point Brads • 34° Tape Strip



C Series Brads 16 Gauge



Item No.	L	Gauge	Carton Qty
Nail-Airco-C25	25mm(1")	16g	5K/Box, 30K/Ctn
Nail-Airco-C30	30mm(1 ³ / ₁₆ ")	16g	5K/Box, 30K/Ctn
Nail-Airco-C32	32mm(1 ¹ / ₄ ")	16g	5K/Box, 30K/Ctn
Nail-Airco-C38	38mm(1 ¹ / ₂ ")	16g	5K/Box, 30K/Ctn
Nail-Airco-C40	40mm(1 ⁹ / ₁₆ ")	16g	5K/Box, 30K/Ctn
Nail-Airco-C45	45mm(1 ³ / ₄ ")	16g	5K/Box, 30K/Ctn
Nail-Airco-C50	50mm(2")	16g	5K/Box, 20K/Ctn

- Galvanized Finish • Chisel Point • Straight Strip

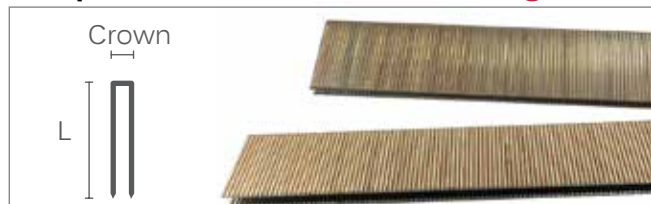
Staples 800 Series



Item No.	L	Crown	Carton Qty
Staple-Airco-8006	6mm	12mm(1/2")	10K/Box, 200K/Ctn
Staple-Airco-8008	8mm	12mm(1/2")	10K/Box, 200K/Ctn
Staple-Airco-8010	10mm	12mm(1/2")	10K/Box, 100K/Ctn
Staple-Airco-8012	12mm	12mm(1/2")	10K/Box, 100K/Ctn
Staple-Airco-8014	14mm	12mm(1/2")	10K/Box, 100K/Ctn

- Galvanized Finish • Chisel Point • Fine Wire Staples
- Similar To BEA 80

Staples 900 Series 18 Gauge



Item No.	L	Crown	Carton Qty
Staple-Airco-9025	25mm	6mm(1/4")	5K/Box, 60K/Ctn
Staple-Airco-9032	32mm	6mm(1/4")	5K/Box, 40K/Ctn
Staple-Airco-9038	38mm	6mm(1/4")	5K/Box, 40K/Ctn

- Galvanized Finish • Chisel Point • 18 Gauge
- Similar To Duo Fast 1800, Senco L, BEA 90

C1 Series Brads 18 Gauge



Item No.	L	Gauge	Carton Qty
Nail-Airco-F19	19mm	18g	5K/Box, 100K/Ctn
Nail-Airco-F25	25mm(1")	18g	5K/Box, 100K/Ctn
Nail-Airco-F30	30mm(1 ³ / ₁₆ ")	18g	5K/Box, 100K/Ctn
Nail-Airco-F40	40mm(1 ⁹ / ₁₆ ")	18g	5K/Box, 60K/Ctn
Nail-Airco-F45	45mm(1 ³ / ₄ ")	18g	5K/Box, 60K/Ctn
Nail-Airco-F50	50mm(2")	18g	5K/Box, 60K/Ctn

- Galvanized Finish • Chisel Point • Straight Strip

Angled DA Brads 15 Gauge



Item No.	L	Gauge	Carton Qty
Nail-Airco-DA17	38mm(1 ¹ / ₂ ")	15g	3K/Box, 12K/Ctn
Nail-Airco-DA21	50mm(2")	15g	3K/Box, 12K/Ctn

- Bright Finish • Chisel Point Brads • 34° Tape Strip

Senco C Series Bradder



5-Year -Warranty



Item No.	Description
NailGun Bradder-C Senco	Nail Gun for 16 gauge Brads

Senco C1 Series Bradder



1-Year -Warranty



Item No.	Description
NailGun Bradder-F Senco	Nail Gun for 18 gauge Brads

Airco 800 Series Stapler



1-Year -Warranty



Item No.	Description
Stapler-800 Airco	For 800 Series Staples

Airco 900 Series Stapler



1-Year -Warranty



Item No.	Description
Stapler-900 Airco	For 900 Series Staples

Senco DA Series Bradder



5-Year -Warranty



Item No.	Description
NailGun Bradder-DA Senco	Nail Gun for DA Brads